

THIS DRAWING IS UNPUBLISHED.

RELEASED FOR PUBLICATION

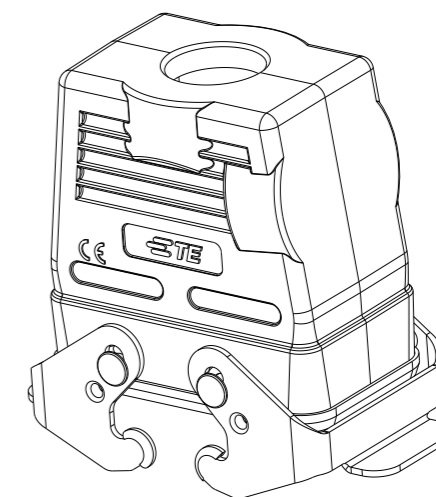
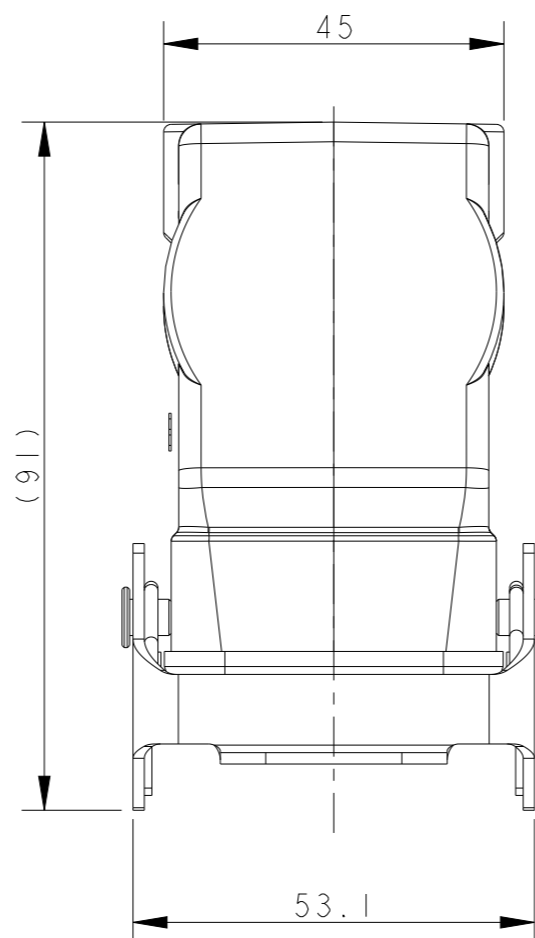
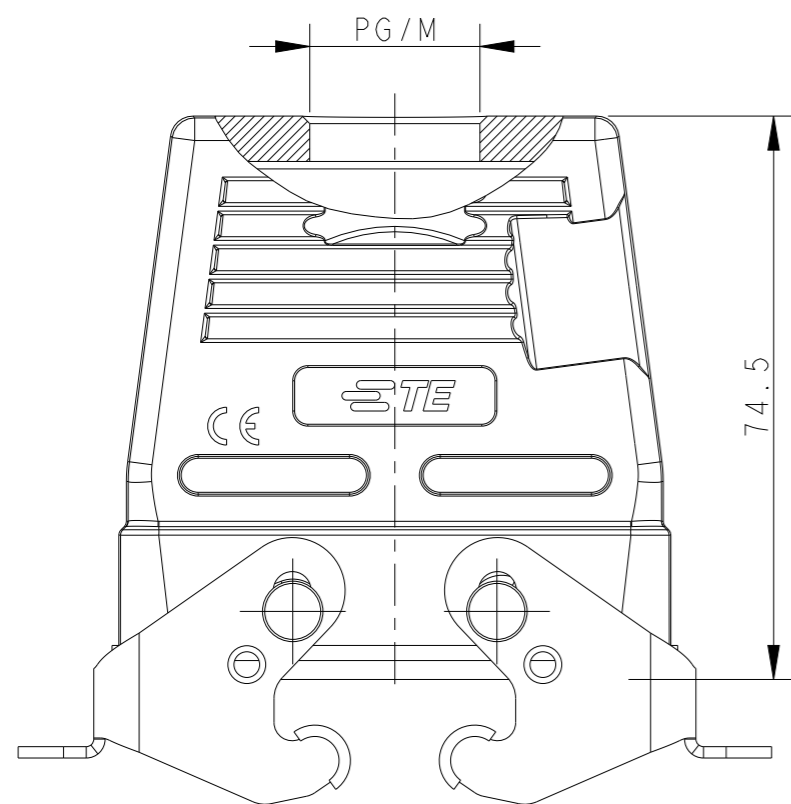
20

© COPYRIGHT 20 BY -

ALL RIGHTS RESERVED.

REVISIONS

P	LTR	DESCRIPTION	DATE	DWN	APVD
	A	INITIAL RELEASE	08JUL2015	DL	CW
	B	ECR-20-008181	29JUL2020	WQR	CW
	B1	ECR-21-103925	07JUN2021	WQR	CW



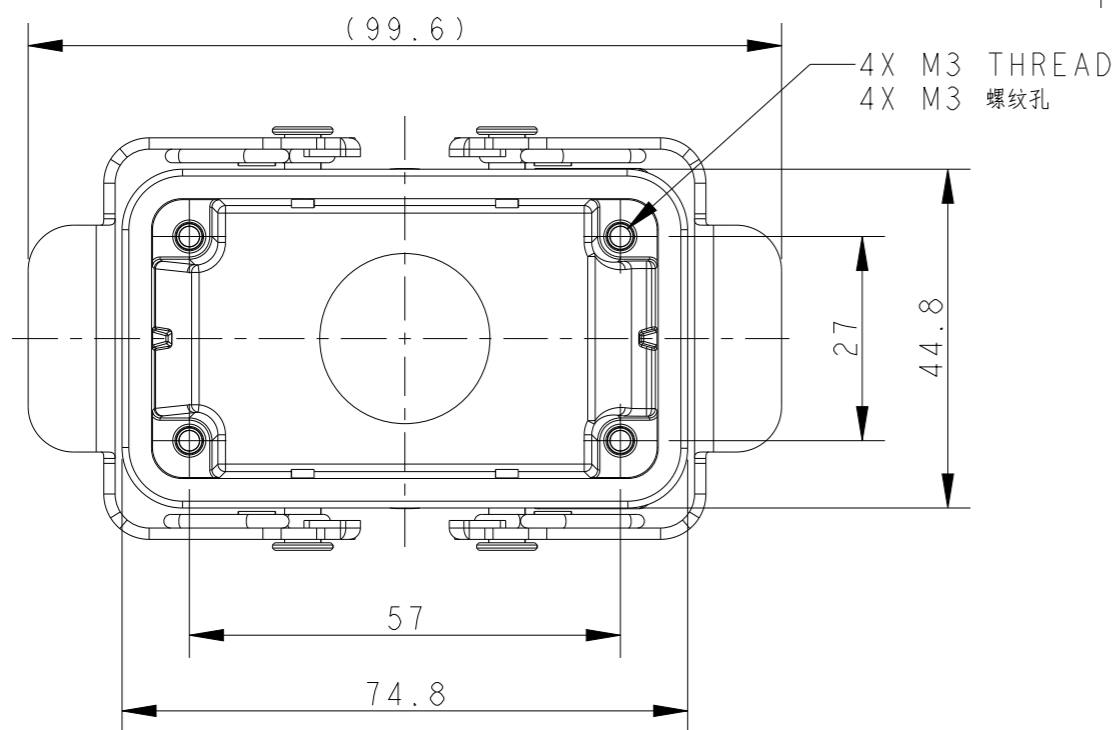
SCALE 3:5

NOTES:

- 1. TECHNICAL CHARACTERISTICS:
 BODY MATERIAL: DIE CAST ALUMINIUM ALLOY
 SURFACE TREATMENT: POWDER-COATED, GRAY
 DEGREE OF PROTECTION: IP65 (MATED)

注释:

- 1. 技术参数:
 主体材料: 铝合金
 表面处理: 粉末喷涂, 灰色
 防护等级: IP65 (配合)



T1750102116-000	H10B-TBFH-PG16	PG16
T1750102121-000	H10B-TBFH-PG21	PG21
T1750102129-000	H10B-TBFH-PG29	PG29
T1750102132-000	H10B-TBFH-M32	M32
ASSEMBLY PART NUMBER	ASSEMBLY PART DESCRIPTION	PG/M

THIS DRAWING IS A CONTROLLED DOCUMENT.		DWN 08JUL2015 DAVID LI	TE Connectivity NAME H10B-TBFH-PG		
DIMENSIONS: mm		CHK 08JUL2015 CHRIS WANG			PRODUCT SPEC 108-137013
TOLERANCES UNLESS OTHERWISE SPECIFIED:		APVD 08JUL2015 XU XIANG			APPLICATION SPEC 114-137013
0 PLC ±- 1 PLC ±- 2 PLC ±- 3 PLC ±- 4 PLC ±- ANGLES ±-		WEIGHT -			SIZE A3
MATERIAL -		FINISH -		CAGE CODE -	
		CUSTOMER DRAWING		DRAWING NO. C-T17501021XX000	
		SCALE 1:1		SHEET 1 OF 1	
				REV B1	

单击下面可查看定价，库存，交付和生命周期等信息

[>>TE Connectivity\(泰科\)](#)