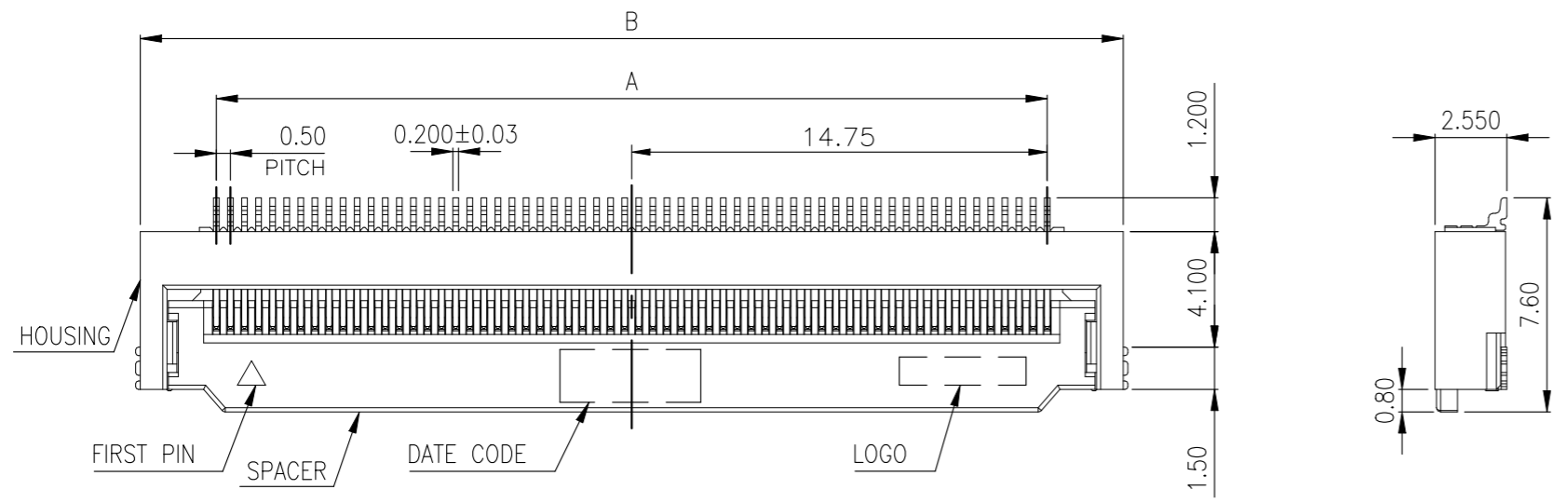
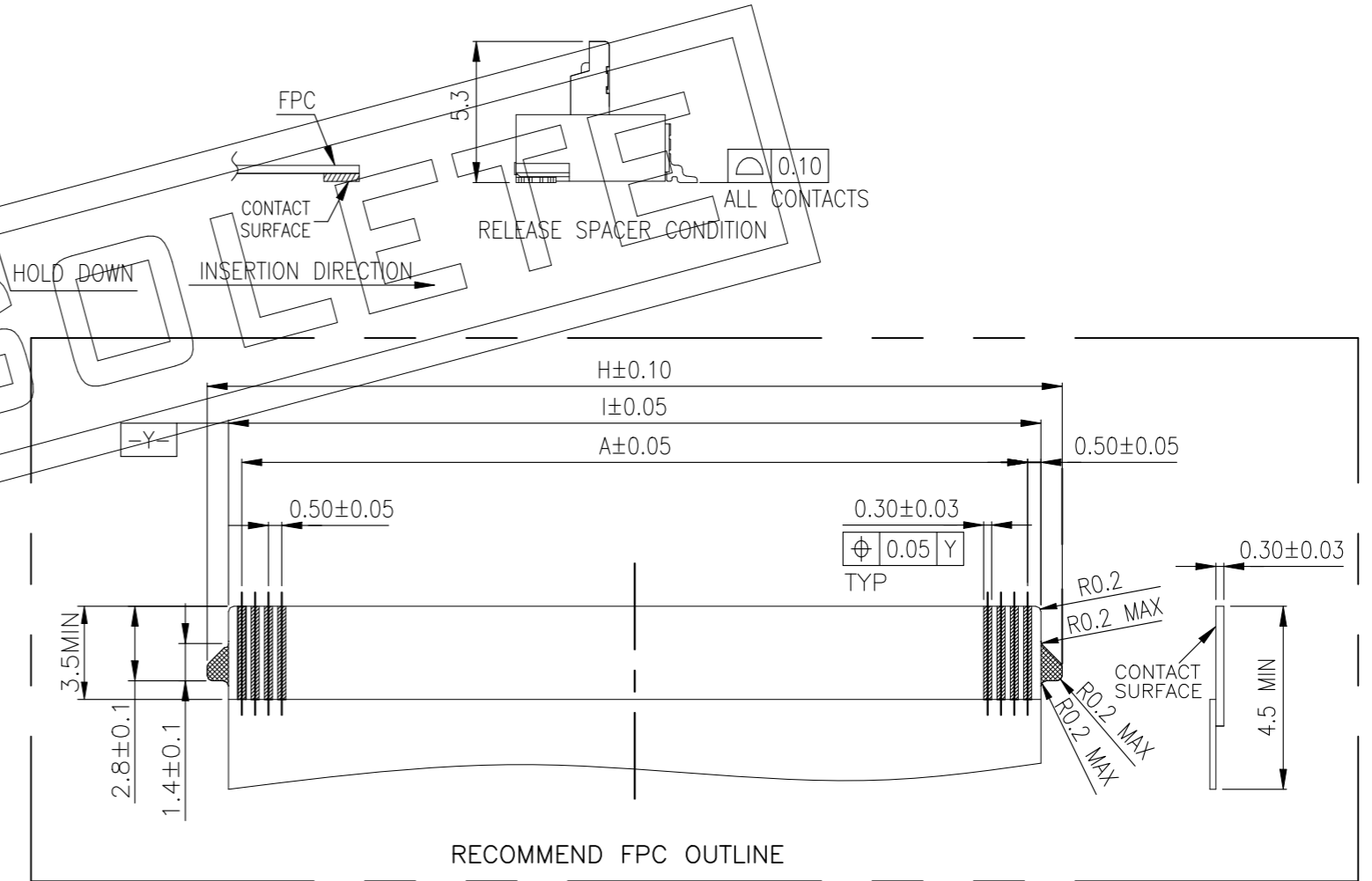
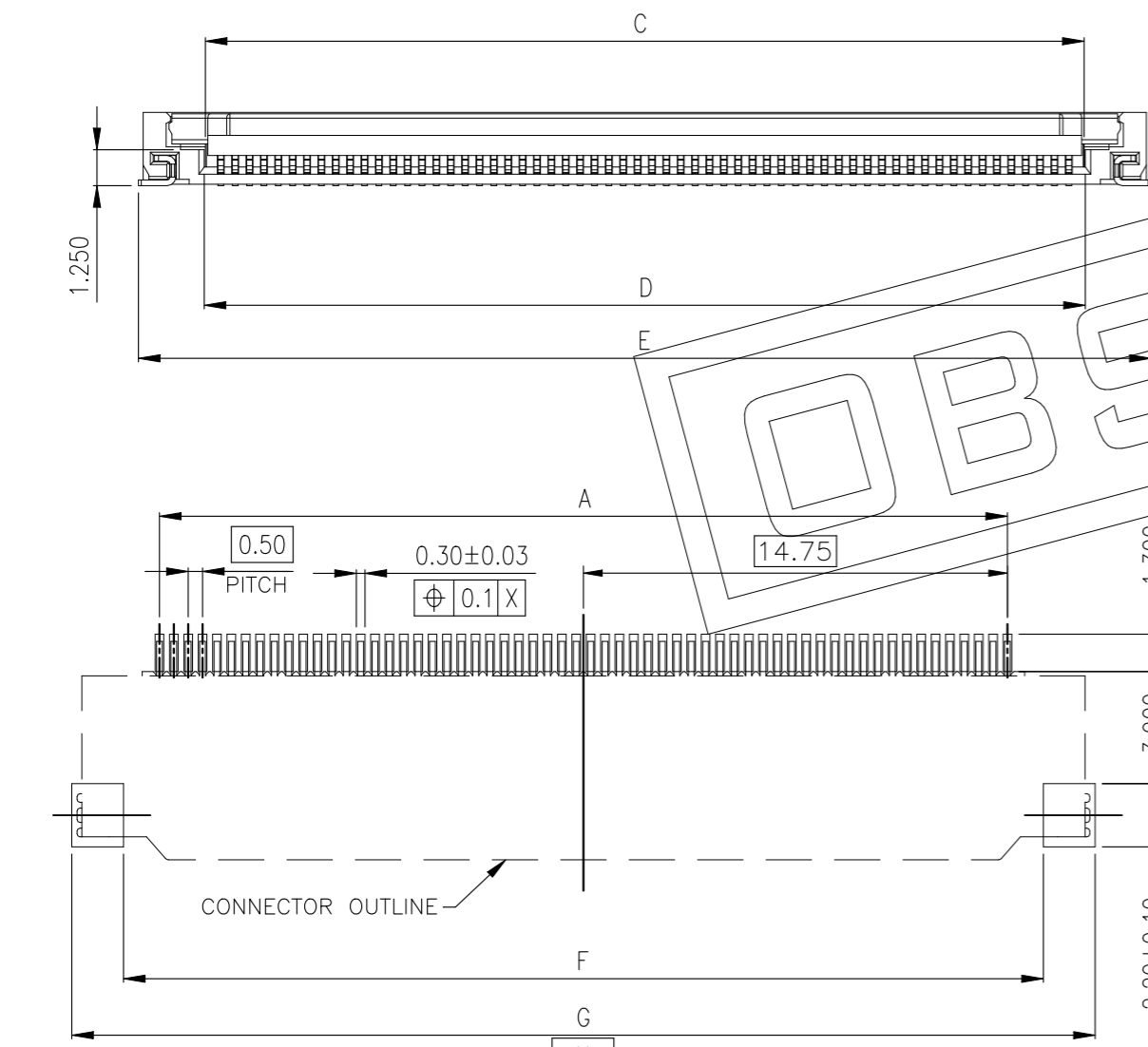


THIS DRAWING IS UNPUBLISHED. RELEASED FOR PUBLICATION
 © COPYRIGHT - TE Connectivity Ltd. ALL RIGHTS RESERVED.

REVISIONS					
P	LTR	DESCRIPTION	DATE	DWN	APVD
	C1	ECR-21-102103	03NOV2021	E.Z	N.S



NOTE:
 1. MATERIAL:
 HOUSING: LCP, WITH 40% GF, UL 94V-0, NATURAL COLOR.
 SPACER: LCP, WITH 30% GF, UL 94V-0, BLACK COLOR.
 CONTACTS: PHOSPHOR BRONZE.
 HOLD DOWN: BRASS.
 2. FINISH:
 CONTACTS: GOLD FLASH PLATED ALL CONTACT AREA,
 1.27µm [50µ"] MIN. NICKEL UNDERPLATED OVER ALL.
 HOLD DOWN: 3.04µm [120µ"]~5.08µm [200µ"] MATTE-TIN OVER ALL.
 1.27µm [50µ"] MIN. NICKEL UNDERPLATED OVER ALL.
 3. REFLOW SOLDER CAPABLE TO 260°C PER TEST SPEC.
 109-201, CONDITION B.



RECOMMENDED P.C. BOARD PATTERN LAYOUT
 METAL MASK: T=0.15, TOLERANCE: ±0.05

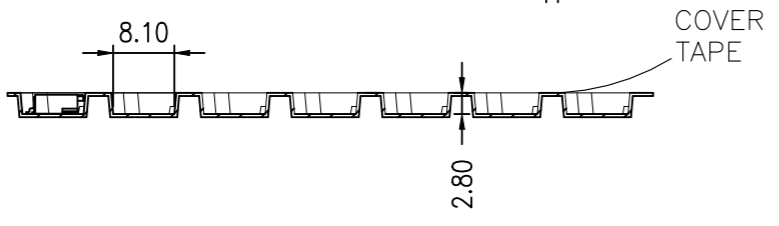
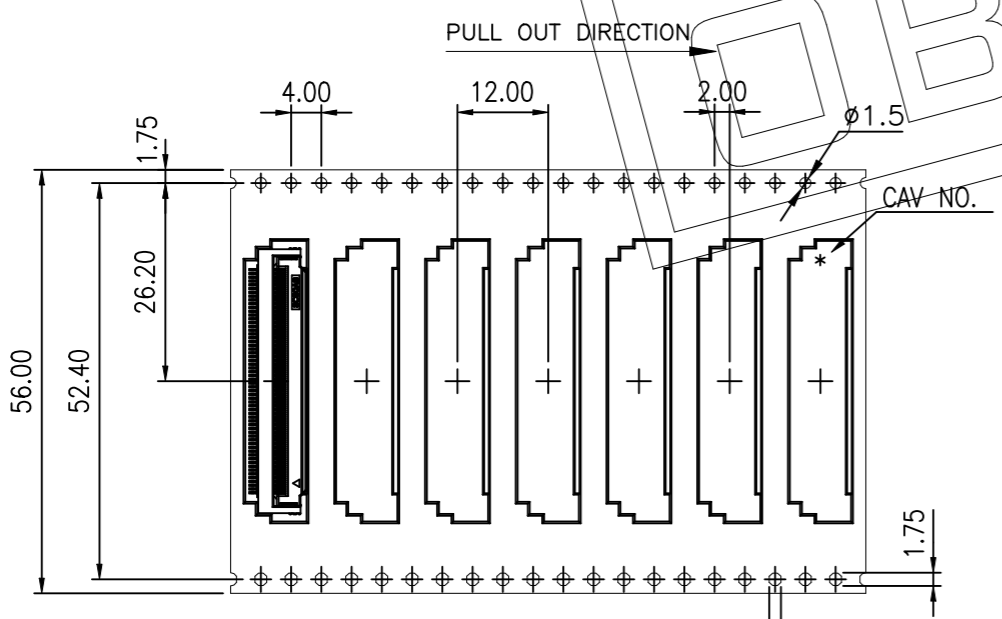
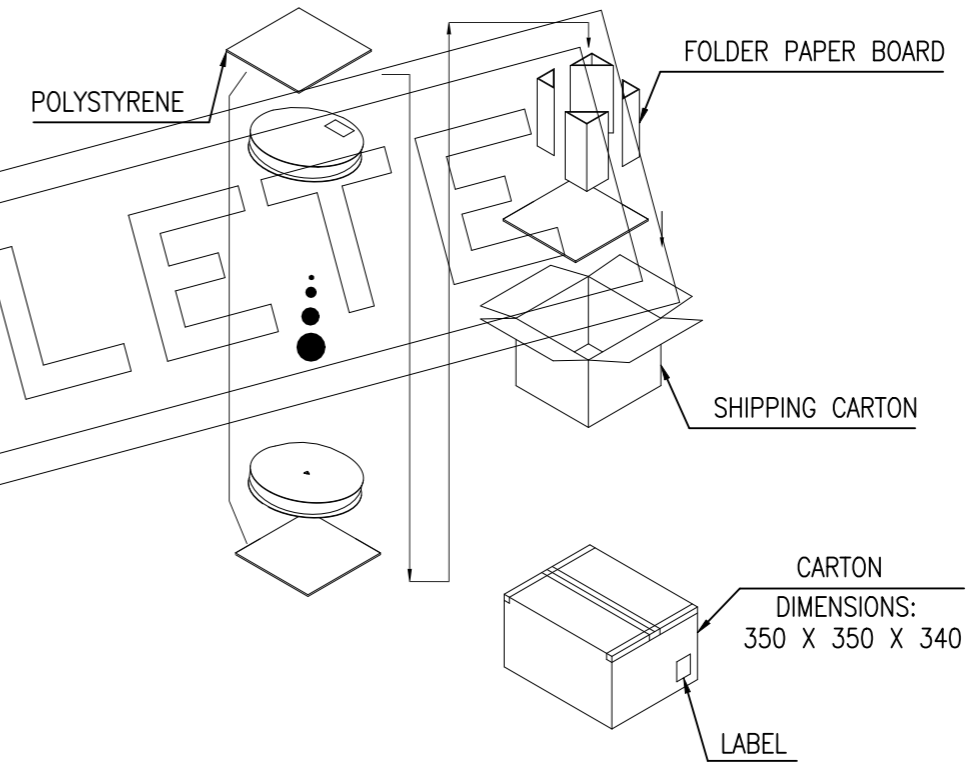
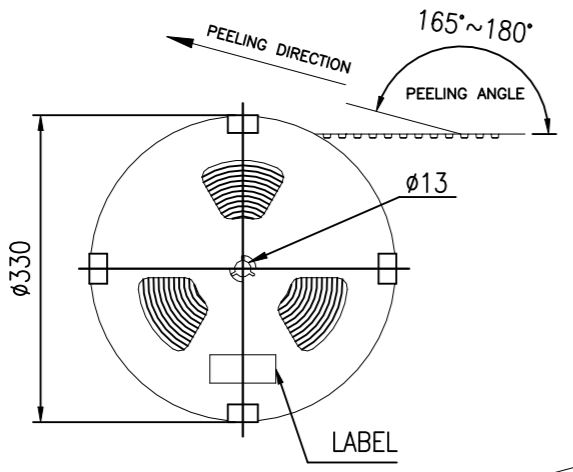
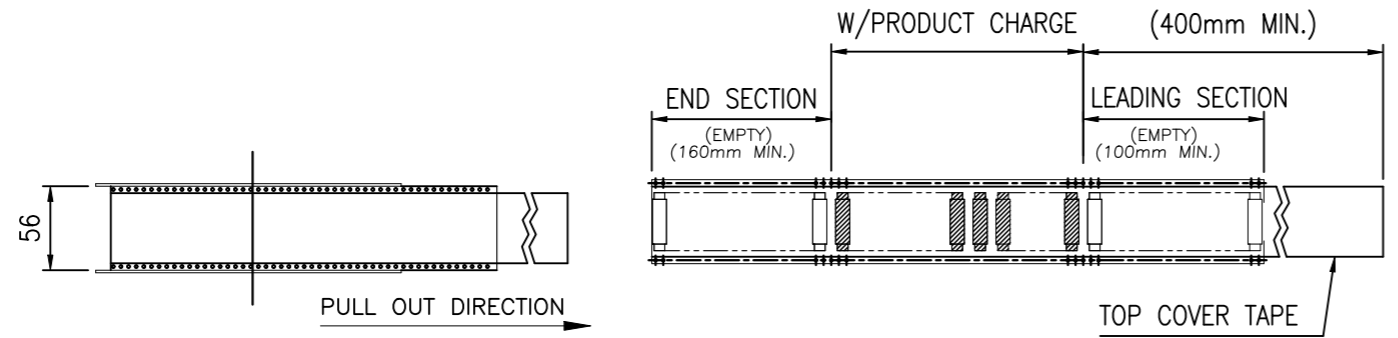
POS.	PN	DIM.A	DIM.B	DIM.C	DIM.D	DIM.E	DIM.F	DIM.G	DIM.H	DIM.I
40	4-2041215-0	19.50	24.90	20.60	20.65	25.23	22.00	25.60	22.10	20.50
60	2041215-1	29.50	34.90	30.60	30.65	35.23	32.00	35.60	32.10	30.50

THIS DRAWING IS A CONTROLLED DOCUMENT.

DWN	J. LAI	17SEP2009	STE TE Connectivity
CHK	S. CHIEN	17SET2009	
APVD	W. KODAMA		NAME
PRODUCT SPEC	108-57789		ZIF FPC 0.50mm PITCH CONNECTOR, 2.5mm HIGH, LOCK TYPE
APPLICATION SPEC			RESTRICTED TO
WEIGHT	-		SIZE CAGE CODE DRAWING NO
MATERIAL SEE NOTE		FINISH SEE NOTE	
CUSTOMER DRAWING		SCALE 1:1 SHEET 1 OF 1 REV C1	

THIS DRAWING IS UNPUBLISHED. RELEASED FOR PUBLICATION
 © COPYRIGHT - TE Connectivity Ltd. ALL RIGHTS RESERVED.

P	LTR	DESCRIPTION	DATE	DWN	APVD
-	-	SEE SHEET 1	-	-	-



THIS DRAWING IS A CONTROLLED DOCUMENT.

DIMENSIONS: mm	TOLERANCES UNLESS OTHERWISE SPECIFIED:
	0 PLC ± -
	1 PLC ± 0.30
	2 PLC ± 0.20
	3 PLC ± 0.15
	4 PLC ± -
	ANGLES ± -
MATERIAL SEE NOTE	FINISH SEE NOTE

DWN J. LAI 17SEP2009	TE Connectivity NAME ZIF FPC 0.50mm PITCH CONNECTOR, 2.5mm HIGH, LOCK TYPE
CHK S. CHIEN 17SET2009	
APVD W. KODAMA	PRODUCT SPEC 108-57789
APPLICATION SPEC	SIZE A3
WEIGHT -	CAGE CODE 00779
CUSTOMER DRAWING	DRAWING NO C-2041215

10800	6	1800	4-2041215-0
9000	5	1800	2041215-1
QUANTITY(PCS)	REEL/CARTON	PCS/REEL	PN

RESTRICTED TO	SCALE 1:1	SHEET 2 OF 2	REV C1
---------------	--------------	-----------------	-----------

单击下面可查看定价，库存，交付和生命周期等信息

[>>TE Connectivity\(泰科\)](#)