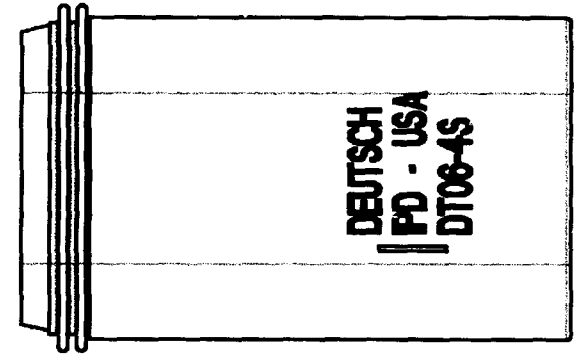
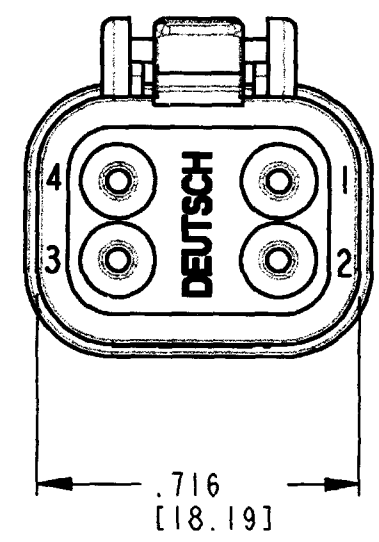
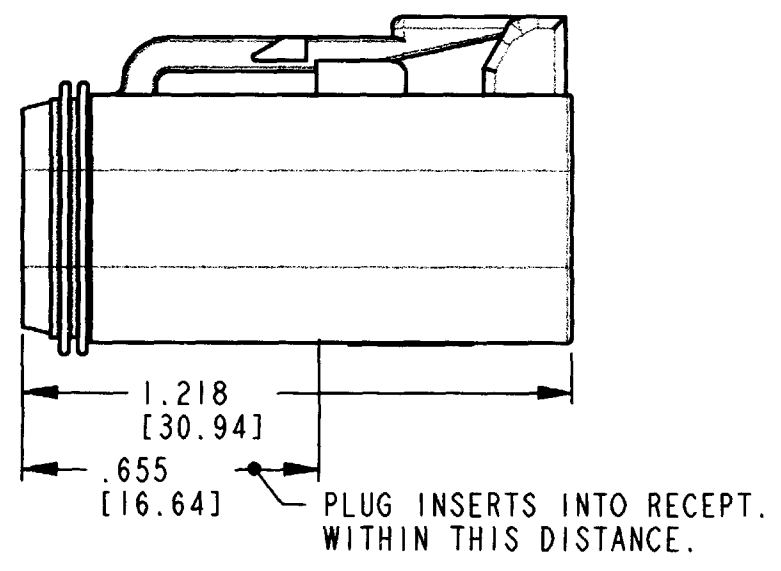
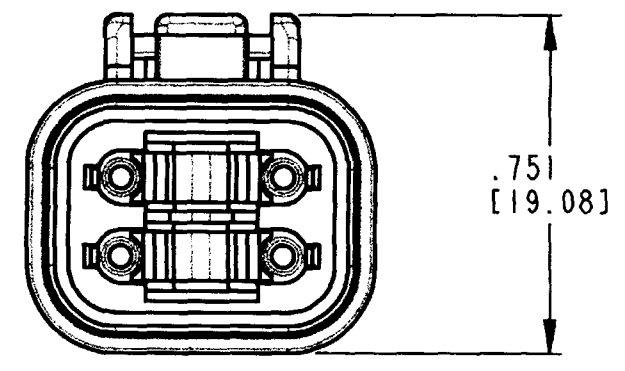


REV	DT06-4S-P012
A	

REVISIONS			
SYM	DESCRIPTION	DATE	APPROVED
NC	NEW RELEASE PER E.O. P15146	2-17-97	R.R.
A	REVISED PER E.O. P15827	12-31-98	RDR



CONTACT SIZE	MIN. INSUL. O.D.	MAX. INSUL. O.D.	WIRE RANGE
16	.088 [2.23]	.145 [3.68]	14-18 AWG [2.0-0.75mm ²]

- NOTES:
1. DIMENSIONS ARE IN INCHES [METRIC].
 2. DIMENSION TOLERANCE: ±.025 [0.63].
 3. WEDGE LOCK W4S-P012 SOLD SEPARATELY.
 4. FOR CONTACT AND WIRE PERFORMANCE AND APPLICATION CHARACTERISTICS SEE ENVELOPE DRAWING 0425-015-0000 AND 0425-017-0000.
 5. THIS PLUG MATES WITH DT04-4P-E004, DT13-4P-E004, DT15-4P-E004 RECEPTACLE.

SIGNATURE & DATE	
DR	H. TRAN OCT-22-96
CHK	<i>S. Bend</i> 12-4-98
PE	<i>William Jensen</i> NOV-16-98
APPD	<i>R. Reed</i> 12-31-98
SCALE	WT

4 WAY PLUG
 COLOR: BLACK
 DT SERIES

ENVELOPE

CP	MATL. CODE
The Deutch Company DEUTSCH I.P.D. 3850 INDUSTRIAL AVE. HEMET, CALIF. 92545	
B	DT06-4S-P012
DWG. SIZE	CODE 11139 SHEET OF

单击下面可查看定价，库存，交付和生命周期等信息

[>>TE Connectivity\(泰科\)](#)