

4

3

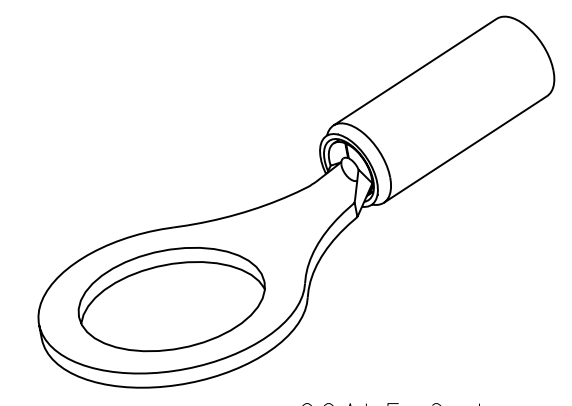
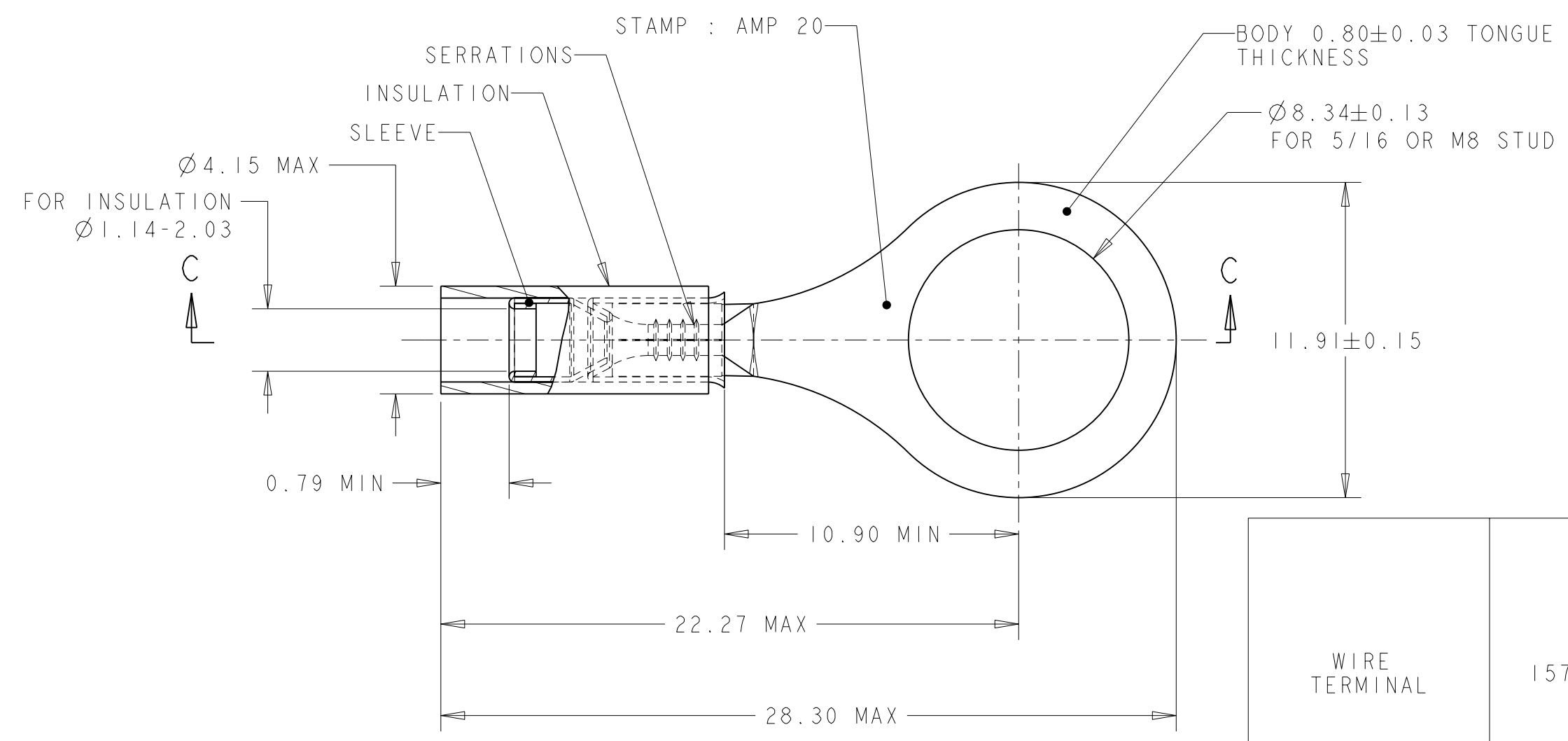
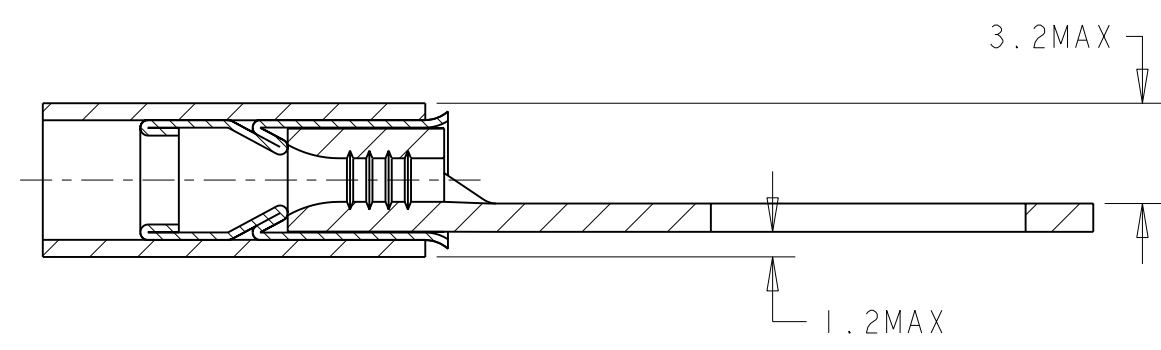
2

1

THIS DRAWING IS UNPUBLISHED. RELEASED FOR PUBLICATION 20
 © COPYRIGHT 20 BY TYCO ELECTRONICS CORPORATION. ALL RIGHTS RESERVED.

| LOC | DIST | REVISIONS | | | |
|-----|------|-------------|-----------|-----|------|
| P | LTR | DESCRIPTION | DATE | DWN | APVD |
| F | 00 | B | 09JUN2006 | JJD | YP |
| | | C | 25OCT2007 | JT | GR |

COUPE C-C



SCALE 3:1

| | | |
|---------------|-------------|--|
| WIRE TERMINAL | 1577628-1 | BODY : COPPER ANNEALED FINISH : NICKEL PLATED |
| | | SLEEVE : COPPER ANNEALED FINISH : NICKEL PLATED |
| | | INSULATION : PEEK COLOR : GREY |
| DESCRIPTION | PART NUMBER | MATERIAL & FINISH |

| | | | |
|--|---|--|--|
| THIS DRAWING IS A CONTROLLED DOCUMENT FOR TYCO ELECTRONICS CORPORATION IT IS SUBJECT TO CHANGE AND THE CONTROLLING ENGINEERING ORGANIZATION SHOULD BE CONTACTED FOR THE LATEST REVISION. | | DWN 02NOV2005 JJ. DESPRETZ CHK 02NOV2005 G. ROBERT APVD 02NOV2005 Y. PETRONIN | tyco Electronics TYCO ELECTRONICS France SAS BP 30039, 95301 CERGY-PONTOISE Cedex |
| DIMENSIONS: mm | TOLERANCES UNLESS OTHERWISE SPECIFIED: 0 PLC ±- 1 PLC ±0.3 2 PLC ±- 3 PLC ±- 4 PLC ±- ANGLES ±5 | NAME TERMINAL, PEEK PIDG STRATO, 20 AWG | PRODUCT SPEC 108-15356 APPLICATION SPEC 114-15102 |
| MATERIAL SEE TABLE FINISH SEE TABLE | WEIGHT 1,01 gr | SIZE A3 | CAGE CODE 00779 |
| CUSTOMER DRAWING | | DRAWING NO 1577628 | RESTRICTED TO - |
| | | SCALE 5:1 | SHEET 1 OF 1 REV C |

单击下面可查看定价，库存，交付和生命周期等信息

[>>TE Connectivity\(泰科\)](#)