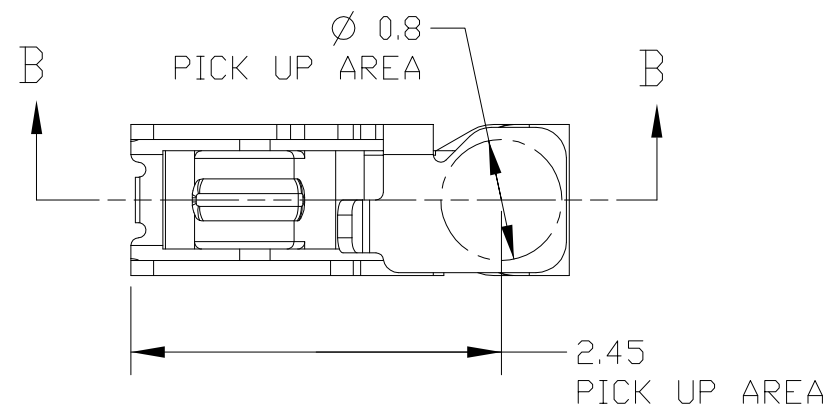
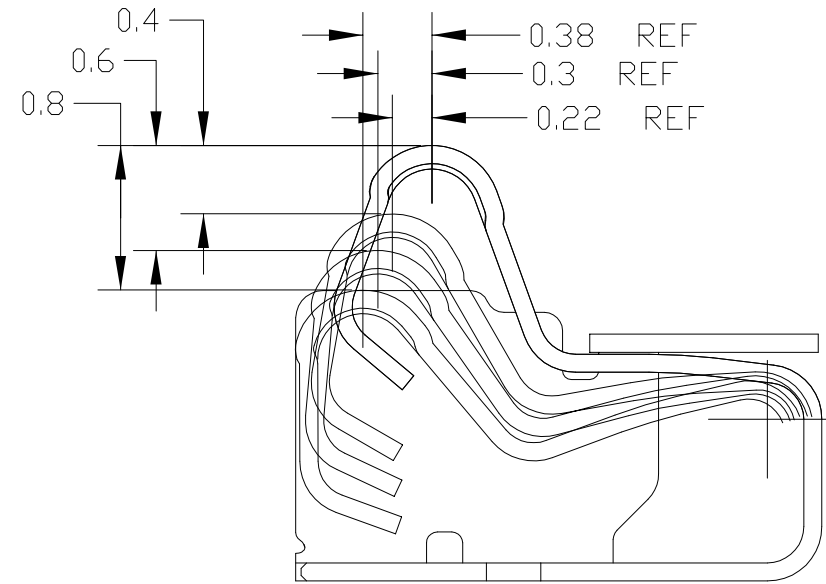


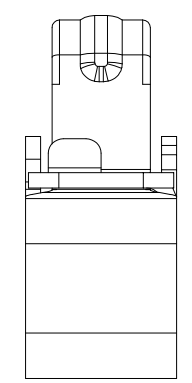
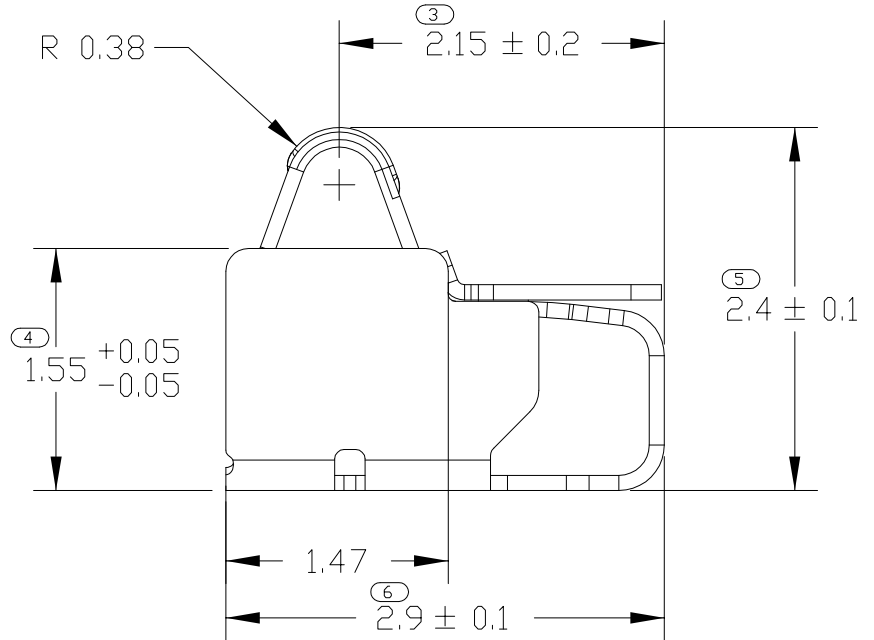
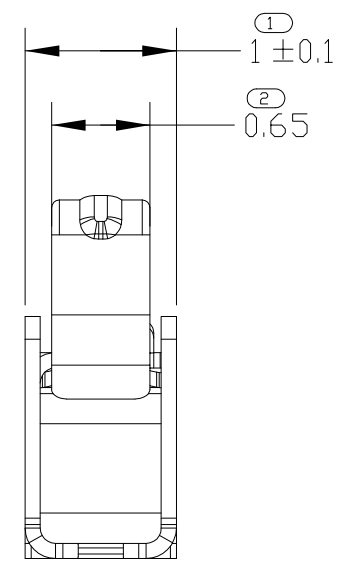
LOC	DIST	REVISIONS					
		P	LTR	DESCRIPTION	DATE	DWN	APVD
-	-		A	RELEASED	16MAY2013	IC.K	JH.K
			B	REVISED	03JUNE2013	IC.K	JH.K
			C	REVISED	10JUNE2013	IC.K	JH.K
			C1	REVISED	25FEB2014	IC.K	JH.K



AS SHOWN  
 ① 2108613-5/6  
 ② 2-2108613-6

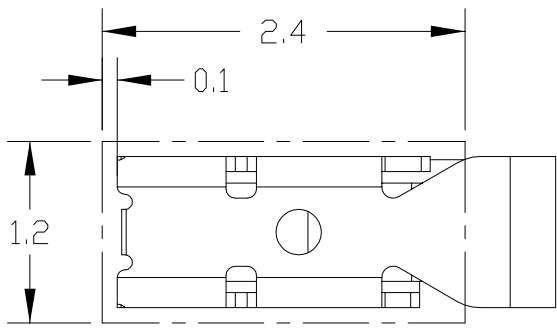


SECTION B-B  
 STROKE CONDITION(REFERENCE)

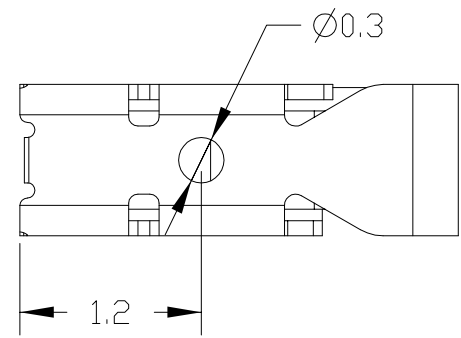


- ① MATERIAL: TICU(COPPER ALLOY), THK.= 0.1
- ② FINISH: Ni UNDER PLATING ALL OVER 0.8~3.0um  
 CONTACT PLATING: Au 0.1~0.4um  
 SOLDER PLATING: Au 0.05~0.35um
- ③ CUTTING BURR: 0.05mm MAX.
- ④ F/G SHOULD BE SAPERATED BASED ON THE CUSTOMER'S PART NUMBER AS BELOW TABLE

NO	PART NUMBER	CUSTOMER PART NUMBER	PRODUCT SPEC
1	2108613-5	MBV62561601	108-61188
2	2108613-6	EAG63652101	
3	2-2108613-6	-	108-61253



RECOMENDED PCB LAYOUT  
 (REFERENCE)



THIS DRAWING IS A CONTROLLED DOCUMENT.

DIMENSIONS: mm	TOLERANCES UNLESS OTHERWISE SPECIFIED: ±0.15	DWN JH GONG 08FEB2013	
	0-PLC ± 1-PLC ±0.5 2-PLC ±0.13 3-PLC ±0.013 4-PLC ±0.0001 ANGLES ±	CHK JH KIM 08FEB2013	
	MATERIAL ①	FINISH ②	

PRODUCT SPEC: SEE TABLE ④

APPLICATION SPEC: -

WEIGHT: -

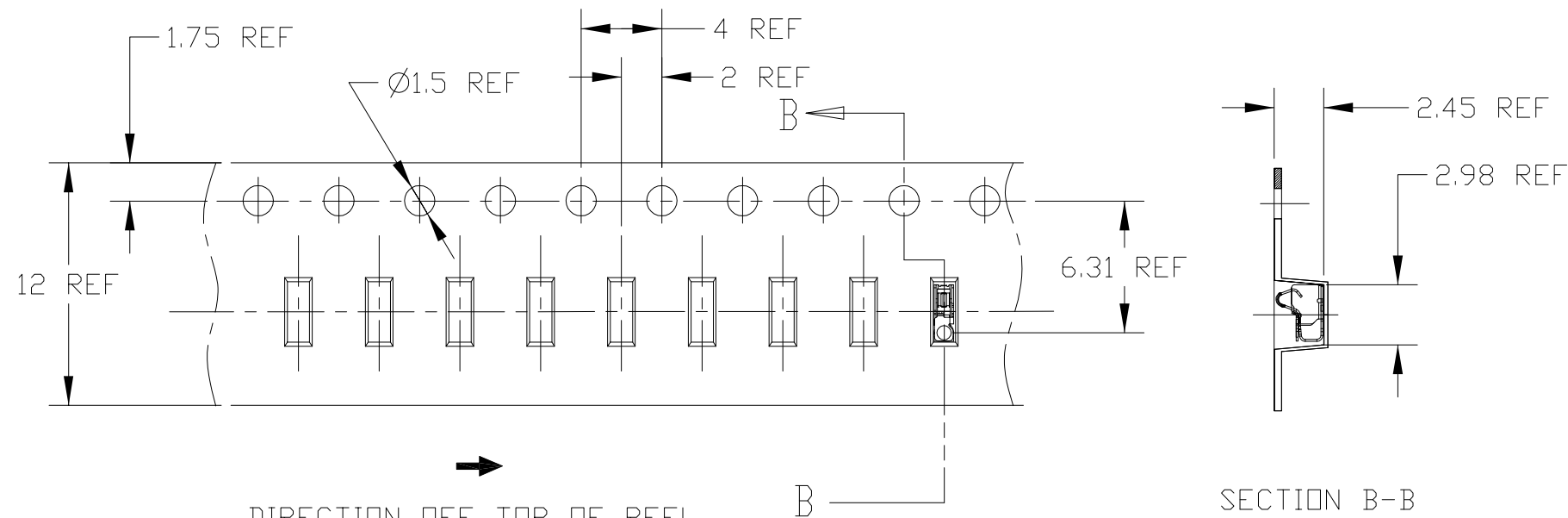
CUSTOMER DRAWING

SIZE: A3 CAGE CODE: 00779 DRAWING NO: C-2108613 RESTRICTED TO: -

SCALE: 20:1 SHEET 1 OF 3 REV: C2

LOC	DIST	REVISIONS			
P	LTR	DESCRIPTION	DATE	DWN	APVD
-	-	SEE SHEET 1			

# ①4<2108613-5 : FOR MBV62561601>



**①**

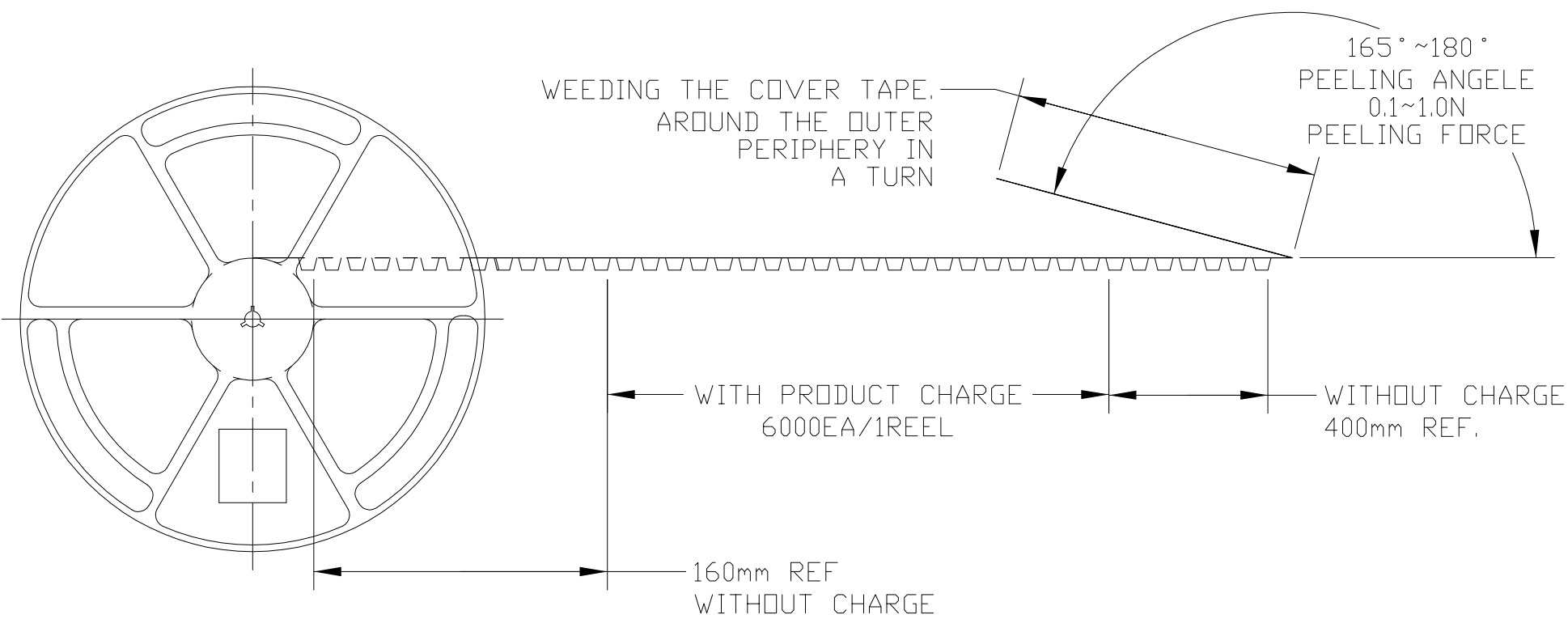
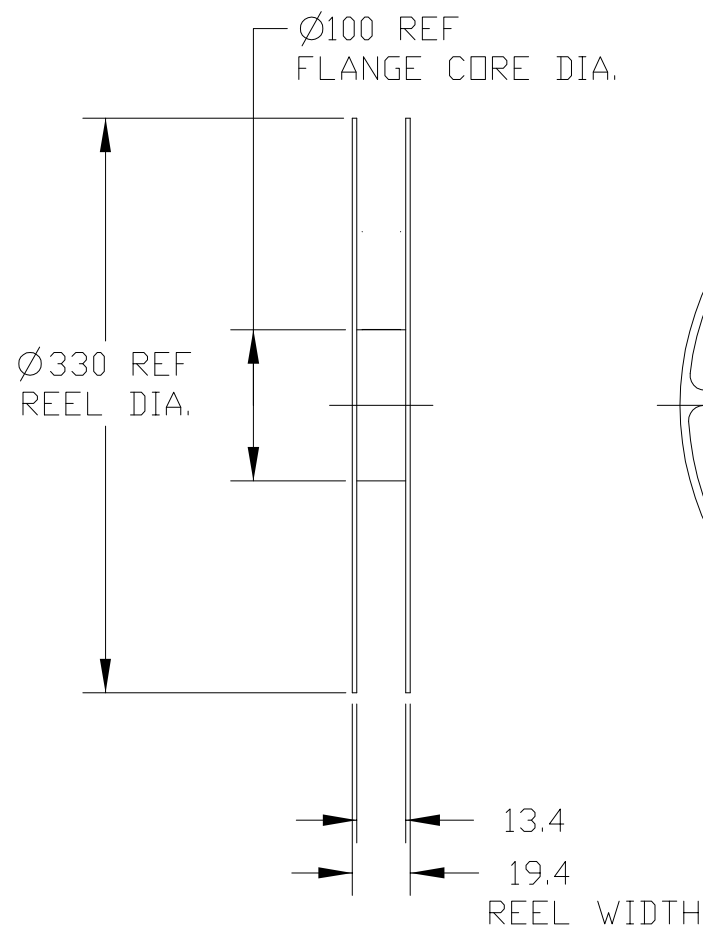
MBV62561601-YYYYMMDD-\*\*\*\*\*-HK000120

SPEC: 2.4H SPRING FINGER WITH EMBOSS

Company Name: TE CONNECTIVITY  
Tyco Part Number : 2108613-5

RoHS
H/F

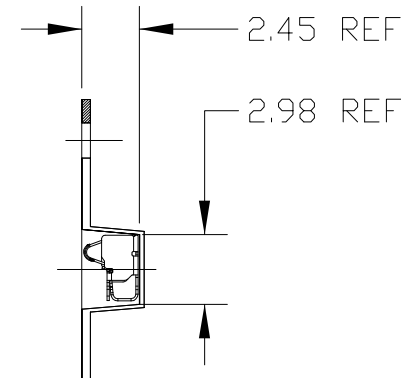
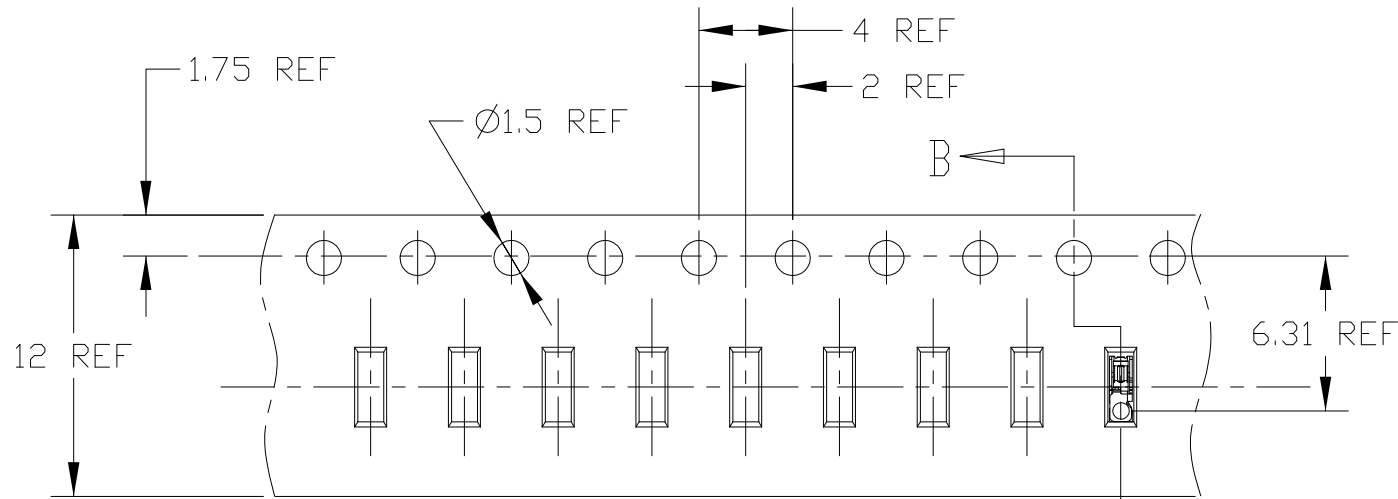
- 1. LG PART NO.
- 2. FINAL INSPECTION(YYYMMDD)
- 3. VENDOR PRODUCTION LOT NO.
- 4. VENDOR CODE



THIS DRAWING IS A CONTROLLED DOCUMENT.		DWN	JH GONG	08FEB2013	TE Connectivity
		CHK	JH KIM	08FEB2013	
		APVD	JH KIM	08FEB2013	
		PRODUCT SPEC	108-XXXXX		
DIMENSIONS: mm 		TOLERANCES UNLESS OTHERWISE SPECIFIED: ±0.15		NAME	
		0-PLC ± 1-PLC ±0.5 2-PLC ±0.13 3-PLC ±0.013 4-PLC ±0.0001 ANGLES ± FINISH -		APPLICATION SPEC - WEIGHT -	
MATERIAL -		CUSTOMER DRAWING		SIZE	RESTRICTED TO
				A3	-
				CAGE CODE	DRAWING NO
				00779	©=2108613
				SCALE	SHEET
				20:1	2 OF 3
				REV	C2

P	LTR	DESCRIPTION	DATE	DWN	APVD
		SEE SHEET 1			

① 4 <2108613-6 : FOR EAG63652101>



DIRECTION OFF TOP OF REEL

SECTION B-B

①

**STE**

EAG63652101-YYYYMMDD-\*\*\*\*\*-HK000120

SPEC: 2.4H SPRING FINGER WITH EMBOSS

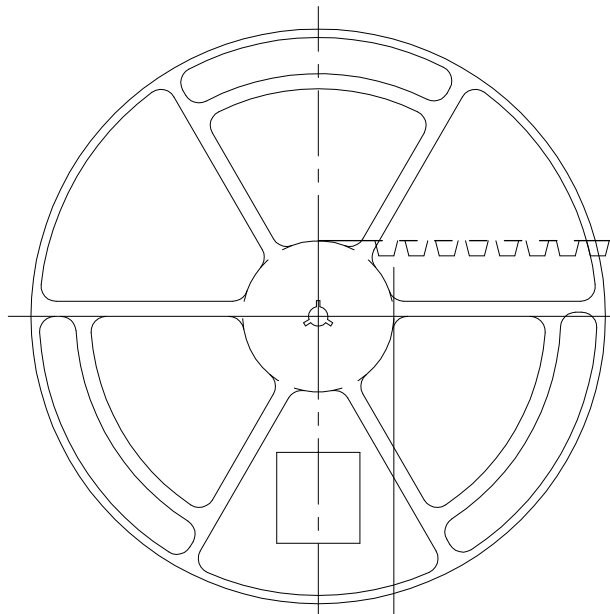
Company Name: TE CONNECTIVITY  
Tyco Part Number : 2108613-5

RoHS
H/F

- 1. LG PART NO.
- 2. FINAL INSPECTION(YYYMMDD)
- 3. VENDOR PRODUCTION LOT NO.
- 4. VENDOR CODE

Ø100 REF  
FLANGE CORE DIA.

Ø330 REF  
REEL DIA.



WEEDING THE COVER TAPE.  
AROUND THE OUTER  
PERIPHERY IN  
A TURN

165°~180°  
PEELING ANGLE  
0.1~1.0N  
PEELING FORCE

WITH PRODUCT CHARGE  
6000EA/1REEL

WITHOUT CHARGE  
400mm REF.

160mm REF  
WITHOUT CHARGE

13.4  
19.4  
REEL WIDTH

THIS DRAWING IS A CONTROLLED DOCUMENT.

DIMENSIONS:  
mm



TOLERANCES UNLESS  
OTHERWISE SPECIFIED:  
±0.15

- Ø-PLC ±
- 1-PLC ±0.5
- 2-PLC ±0.13
- 3-PLC ±0.013
- 4-PLC ±0.0001
- ANGLES ±
- FINISH -

MATERIAL -

DWN	JH GONG	08FEB2013
CHK	JH KIM	08FEB2013
APVD	JH KIM	08FEB2013
PRODUCT SPEC	108-XXXXX	
APPLICATION SPEC	-	
WEIGHT	-	
CUSTOMER DRAWING		

**STE** TE Connectivity

SPRING FINGER 2.4H

NAME	-			RESTRICTED TO	-
SIZE	A3	CAGE CODE	00779	DRAWING NO	©=2108613
SCALE	20:1	SHEET	3 OF 3	REV	C2

单击下面可查看定价，库存，交付和生命周期等信息

[>>TE Connectivity\(泰科\)](#)