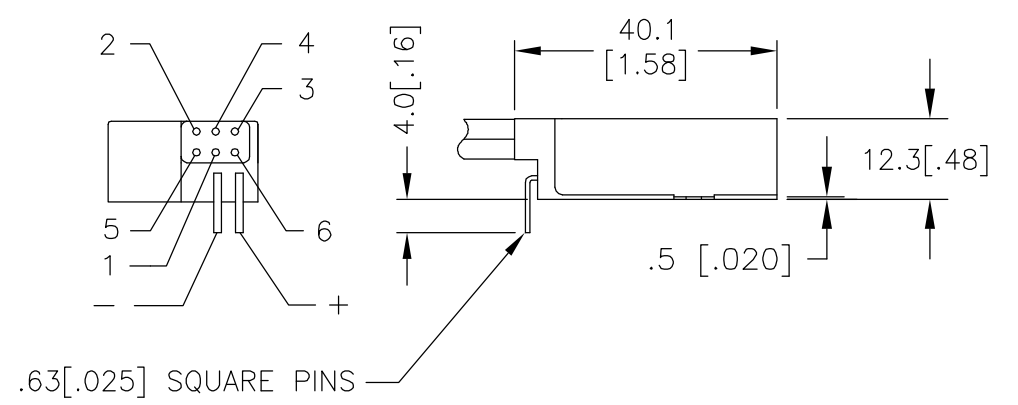
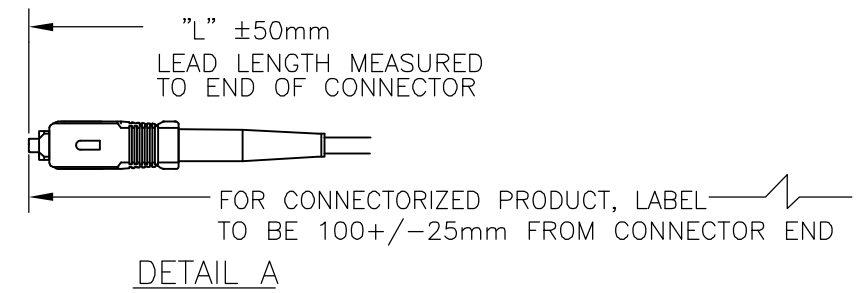


SEE DETAIL -A- FOR CONNECTORIZED VERSIONS



PART NO.	FIBER TYPE	CONNECTOR TYPE
5099974-1	50/125/250	NONE
5099974-2	62.5/125/250	NONE
1-5099974-2	62.5/125/250	SC STYLE
8-5099974-1	50/125/250	SC STYLE
8-5099974-2	62.5/125/250	SC STYLE

NOTES:

1. DIMENSIONS IN [] ARE IN INCHES.
2. PERFORMANCE SPECIFICATIONS

TESTED PER FOTP-34 METHOD A2
 INSERTION LOSS DATA INCLUDES TWO CONNECTED PAIRS

	UNCONNECTORIZED	CONNECTORIZED
INSERTION LOSS POWER OFF, 1 TO 2 & 4 TO 5	0.8dB MAX	1.8dB MAX
INSERTION LOSS POWER ON, 1 TO 3 & 4 TO 6	0.8dB MAX	1.8dB MAX
OPTICAL CROSSTALK	</=-45dB MAX	
SWITCHING SPEED	10 MILLISECONDS MAX	
POWER REQUIREMENTS	4.0 TO 5.5 VOLTS, 80 ma MAX AT 5.0 VOLTS	
OPERATING WAVELENGTH	750nm TO 1450nm	
TESTED WAVELENGTH	1300nm	

3. THIS PRODUCT HAS NOT COMPLETED VALIDATION TESTING.

1000 mm (39.5)	8-5099974-2
1000 mm (39.5)	8-5099974-1
400 mm (15.7)	1-5099974-2
1000 mm (39.5)	5099974-2
1000 mm (39.5)	5099974-1
"L" LENGTH	PART NUMBER

PRELIMINARY

THIS DRAWING IS A CONTROLLED DOCUMENT.		DWN S. MONGOLD 17JAN06	Tyco Electronics Corporation Harrisburg, PA 17105-3608	
DIMENSIONS: mm [INCHES]		CHK R. PAUL 17JAN06	Tyco Electronics	
TOLERANCES UNLESS OTHERWISE SPECIFIED:		APVD F. ABENDSCHEIN 17JAN06	NAME SWII D1X2 TIN (BENT PIN)	
0 PLC ± -		PRODUCT SPEC -	SIZE A3	
1 PLC ± 0.5		APPLICATION SPEC -	CAGE CODE 00779	DRAWING NO C-5099974
2 PLC ± -		WEIGHT -	RESTRICTED TO -	
3 PLC ± -		CUSTOMER DRAWING		
4 PLC ± -		SCALE 1:1		
ANGLES ± 2'		SHEET 1 OF 1		
FINISH -		REV 2		

单击下面可查看定价，库存，交付和生命周期等信息

[>>TE Connectivity\(泰科\)](#)