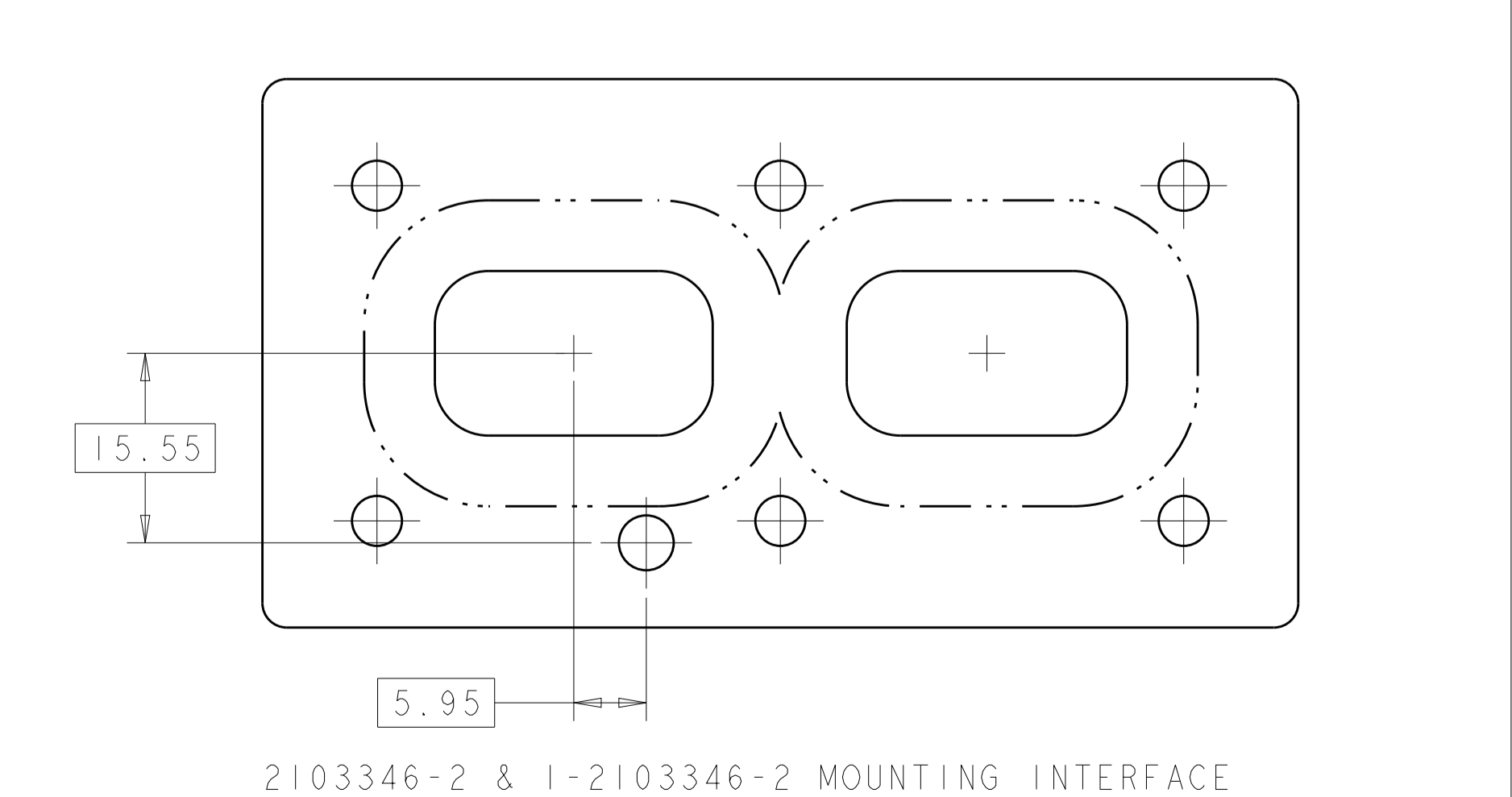
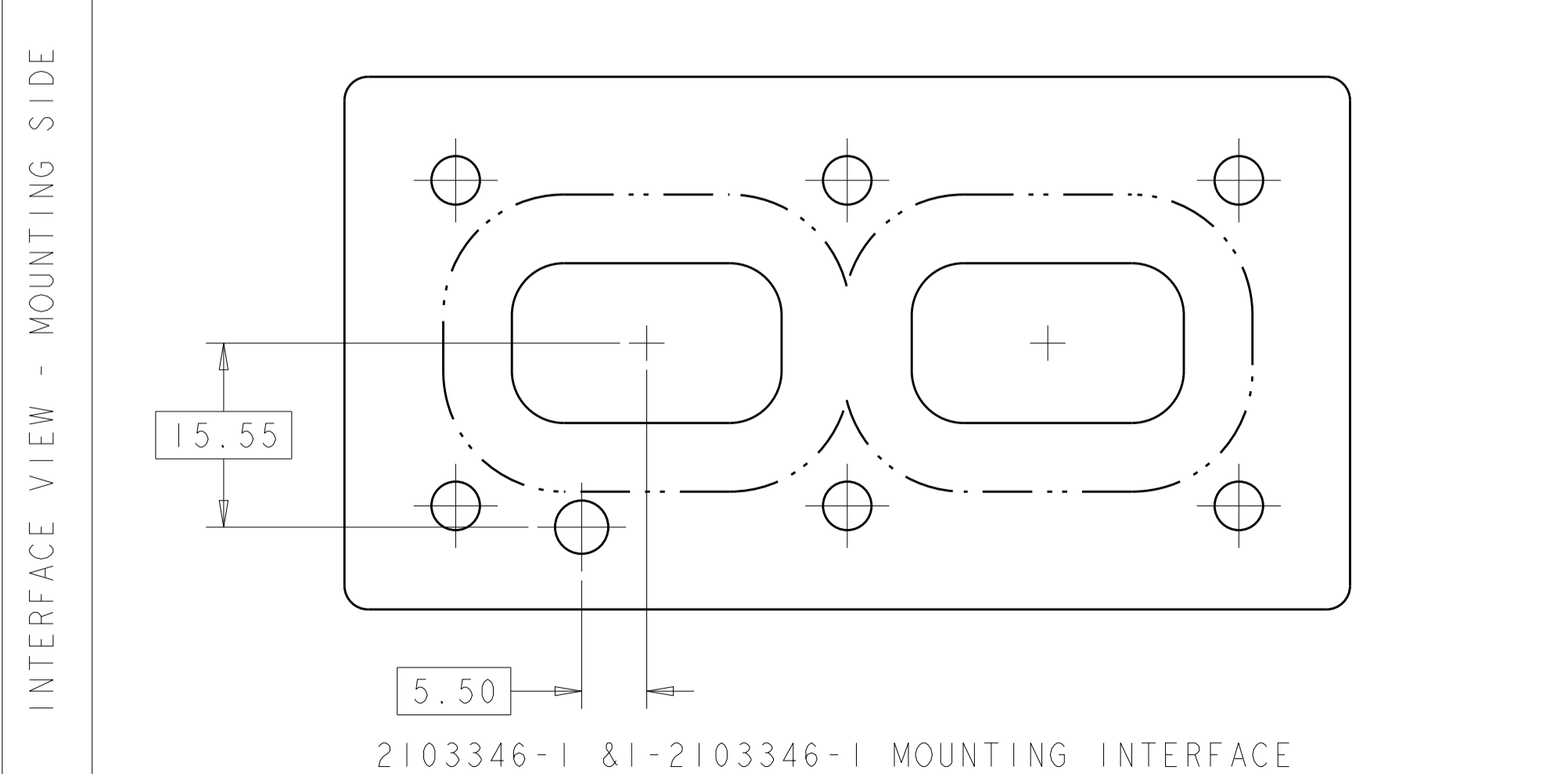
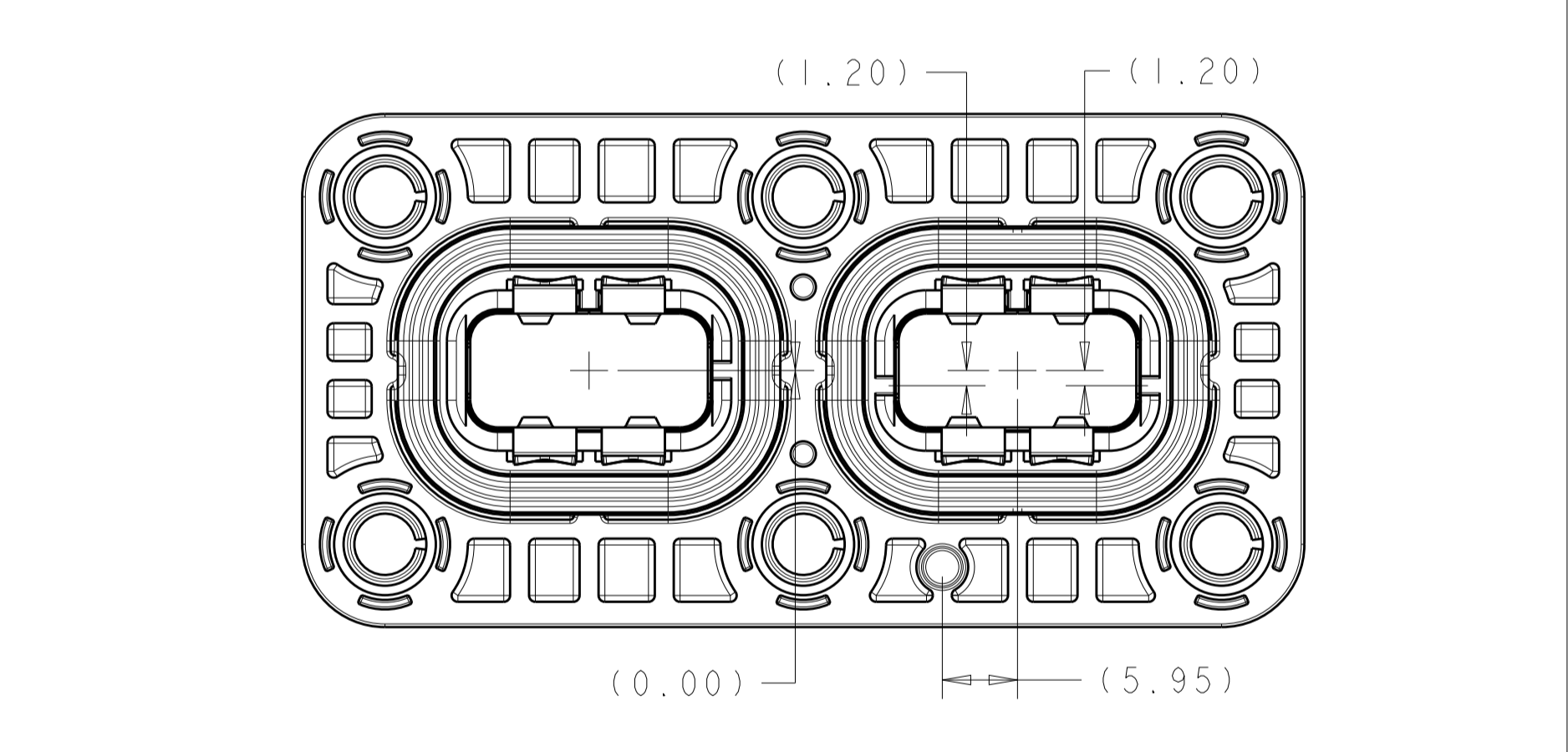
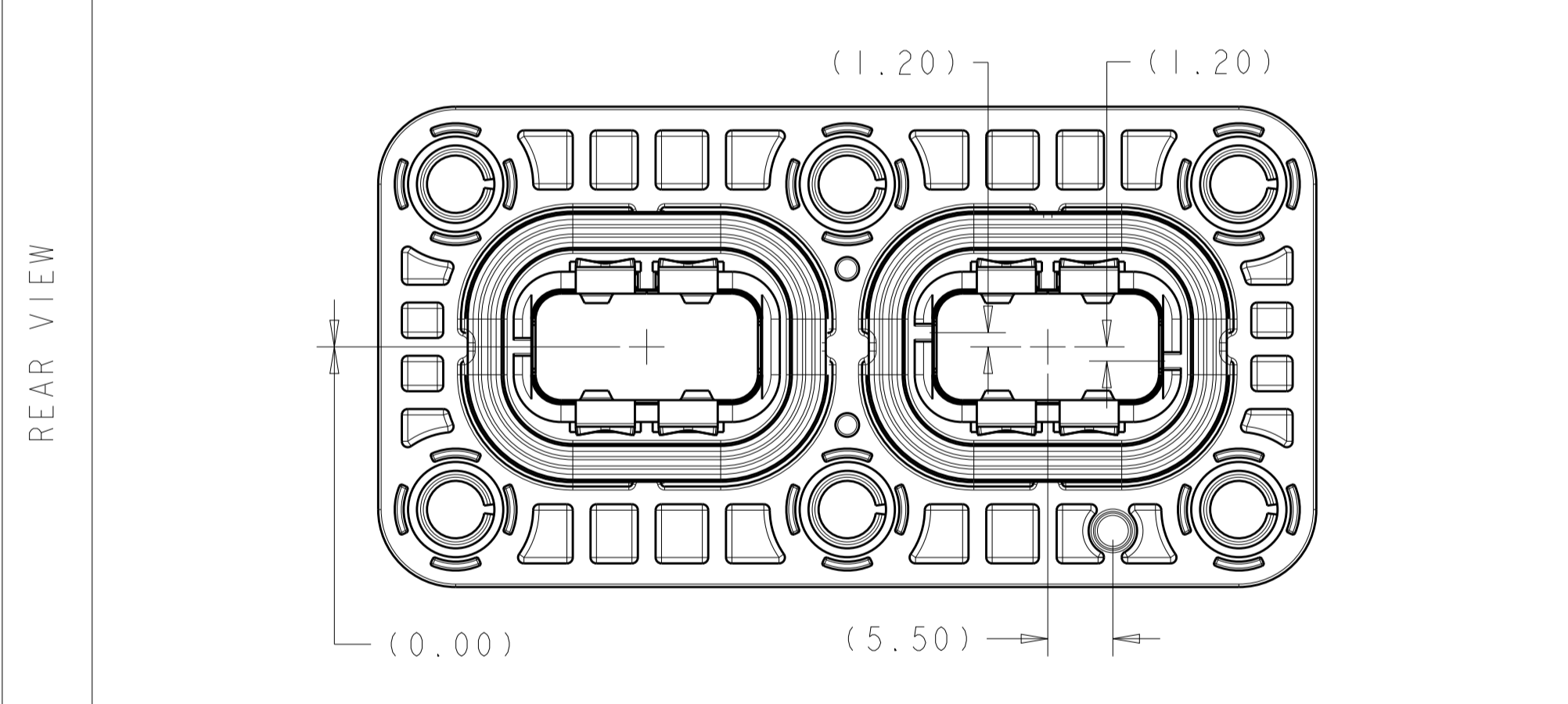
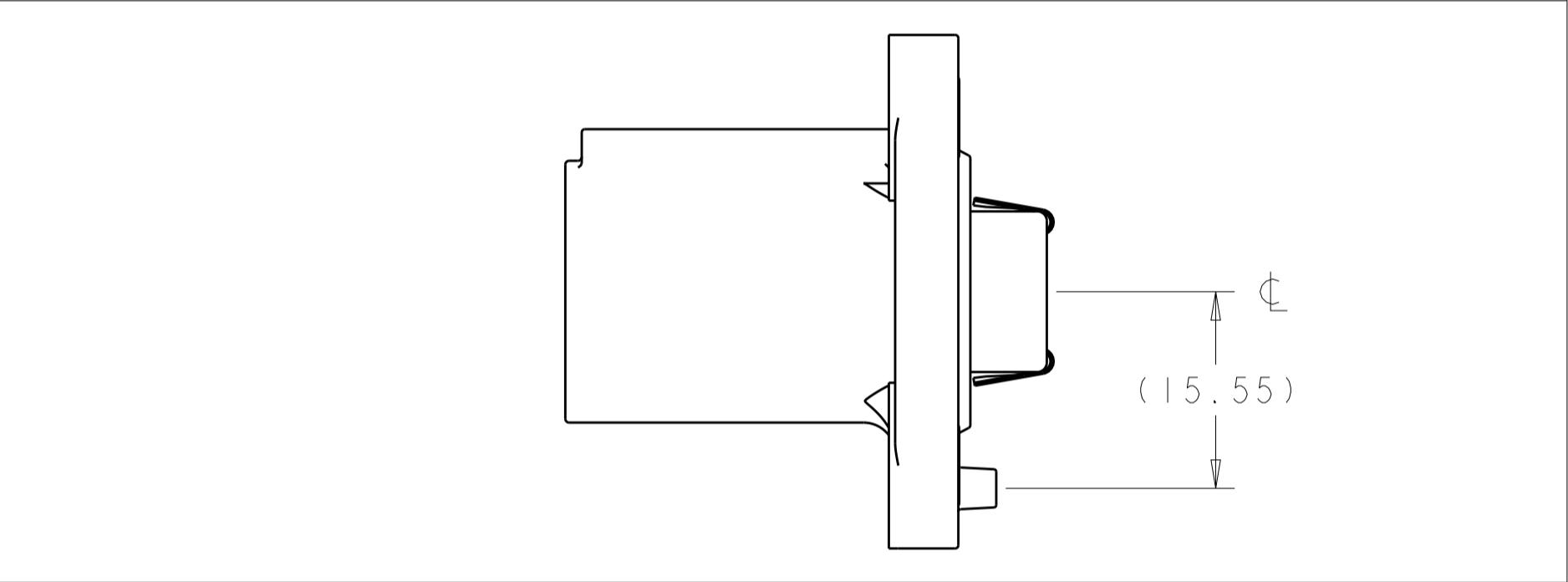
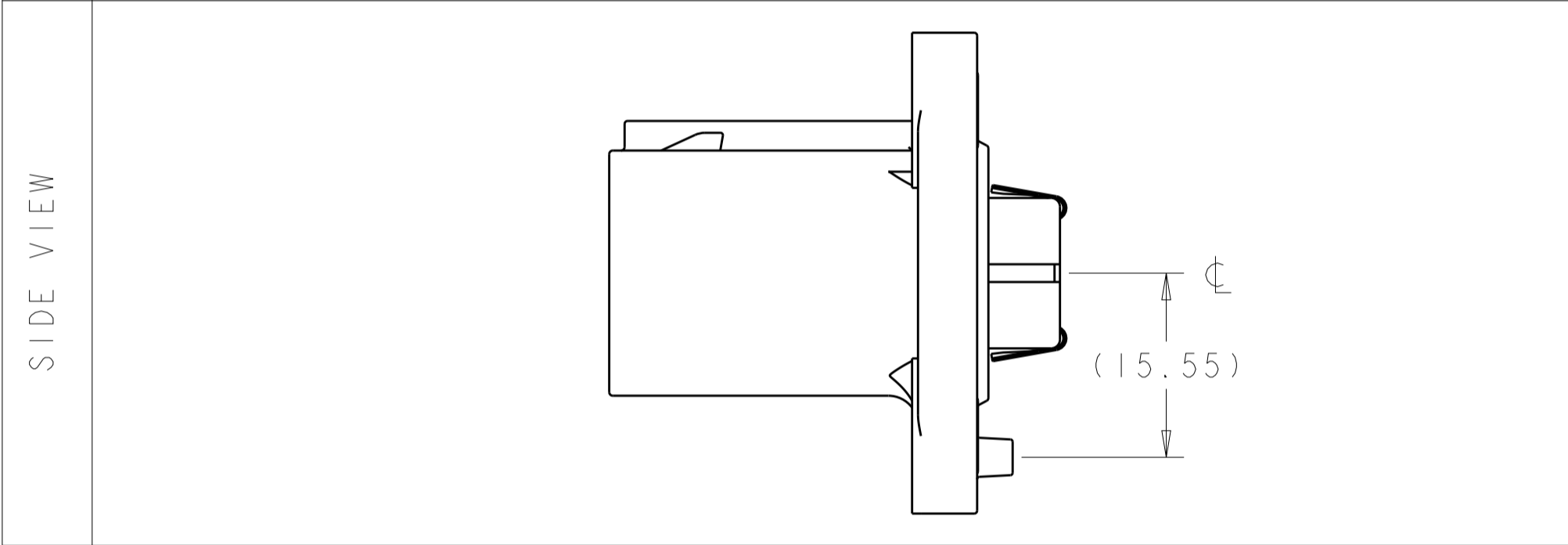
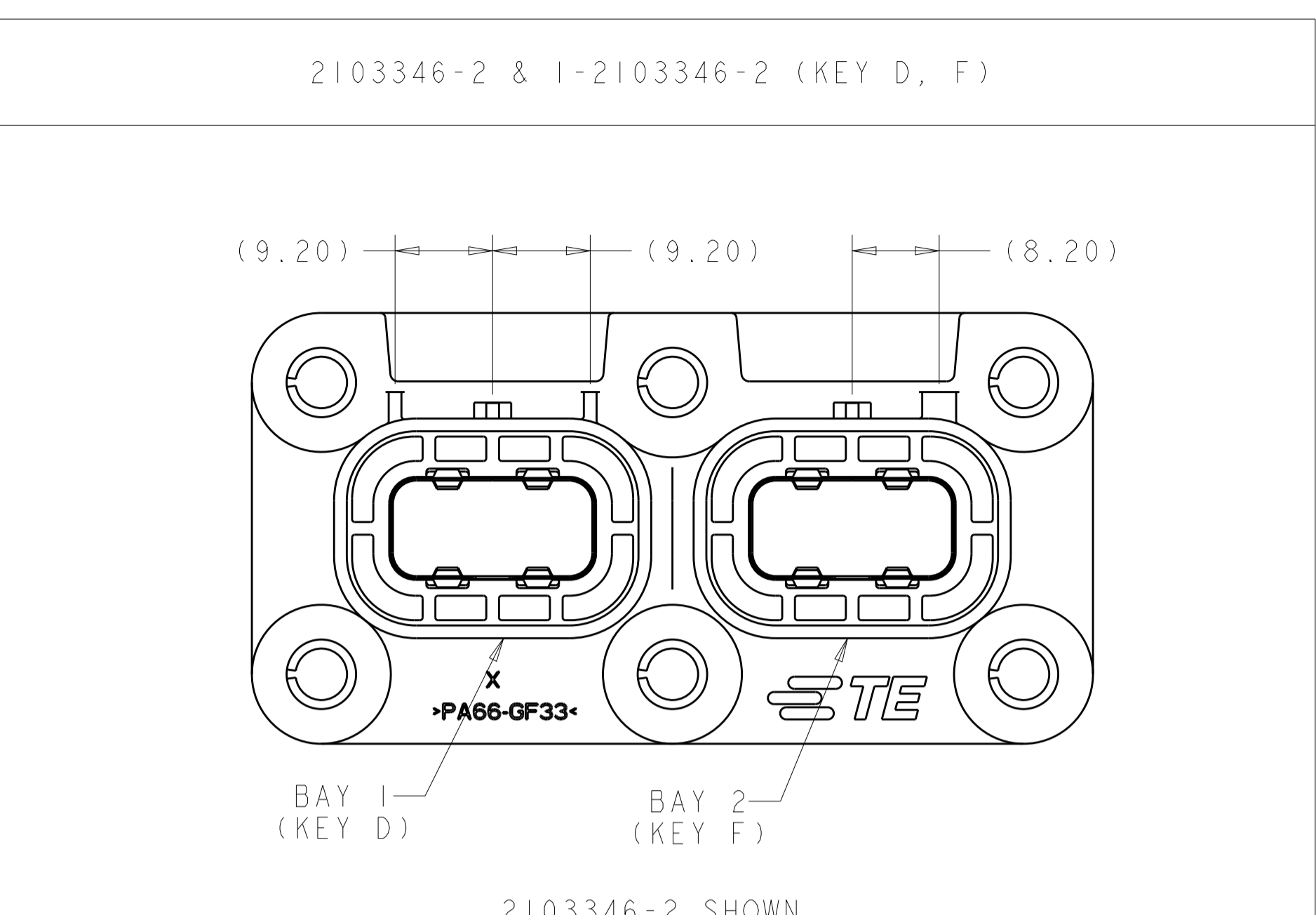
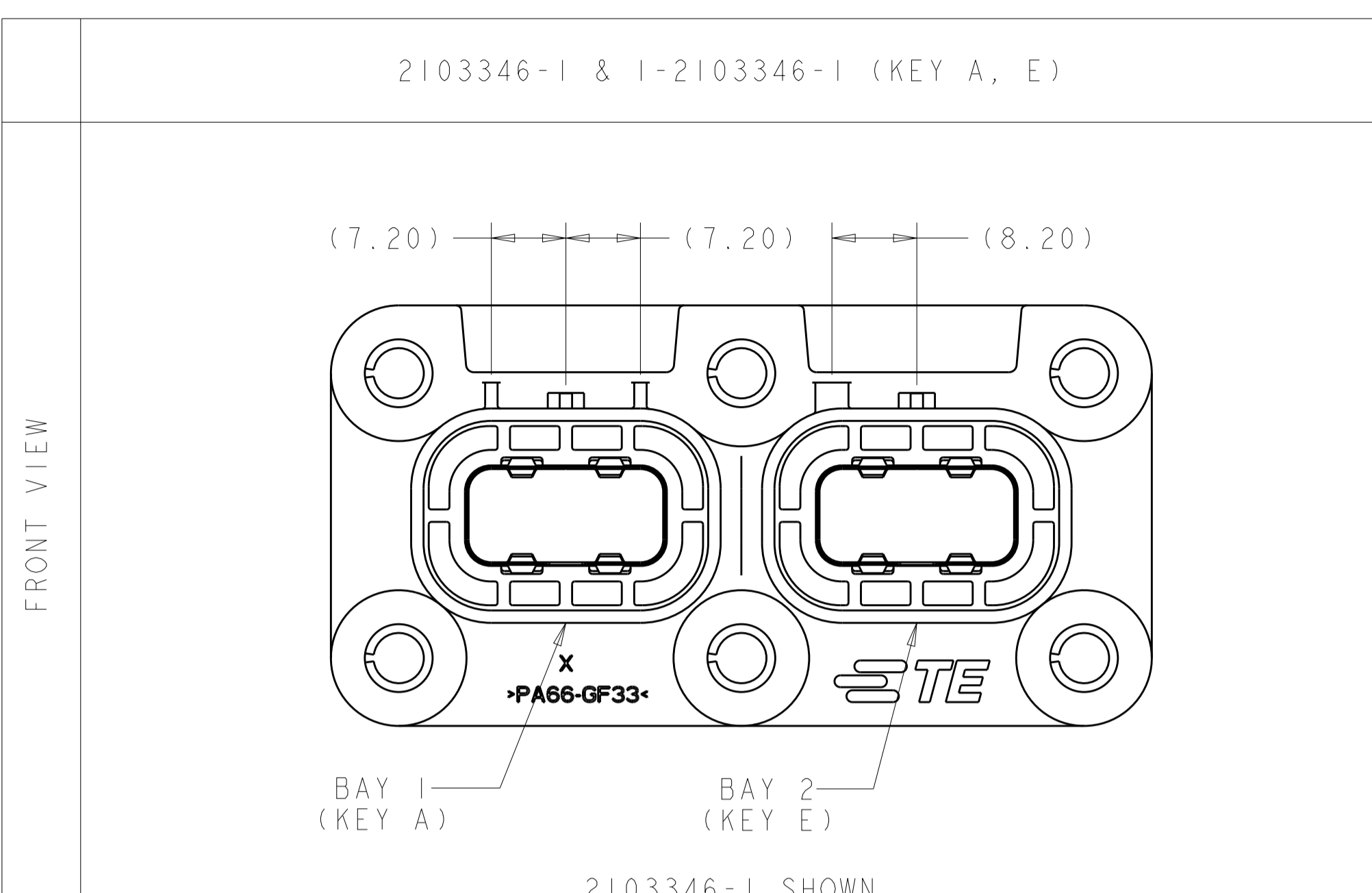


REVISIONS				
P.	LTN	DESCRIPTION	DATE	APVD
-	-	SEE SHEET 1	-	-



THIS DRAWING IS A CONTROLLED DOCUMENT.		OWN: T. DEWILTE 24APR2013	TE Connectivity NAME: HEADER ASSY, HVA280 2 BAY
DIMENSIONS: mm		CHK: T. DEWILTE 24APR2013	
TOLERANCES UNLESS OTHERWISE SPECIFIED: 0 PLC ±0.50 1 PLC ±0.50 2 PLC ±0.15 3 PLC ±0.05 4 PLC ± ANGLES ±°		APVD: T. DEWILTE 24APR2013	
MATERIAL: - FINISH: -		PRODUCT SPEC: - APPLICATION SPEC: -	
WEIGHT: - SCALE: 1:1		SIZE: A1 CAGE CODE: 00779 DRAWING NO: C=2103346	RESTRICTED TO: -
Customer Drawing		SCALE: 1:1	SHEET 2 OF 2 REV A3

单击下面可查看定价，库存，交付和生命周期等信息

[>>TE Connectivity\(泰科\)](#)