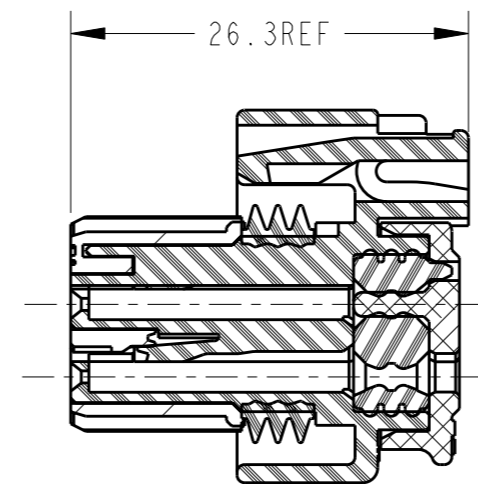


LOC	DIST	REVISIONS						
J	-	P	LTR	DESCRIPTION	ECN	DATE	DWN	APVD
			AI	ADDED -1, -3, -4	ECR-11-018743	17SEP2011	YN	YF

PART NO.	1473847-1	1473847-2	1473847-3	1473847-4
FIGURE OF WIRE SEALE COVER				
PORALITY KEY CODE				
	CODE : A	CODE : A	CODE : B	CODE : C
RETAINER COLOR	WHITE	WHITE	GRAY	GREEN

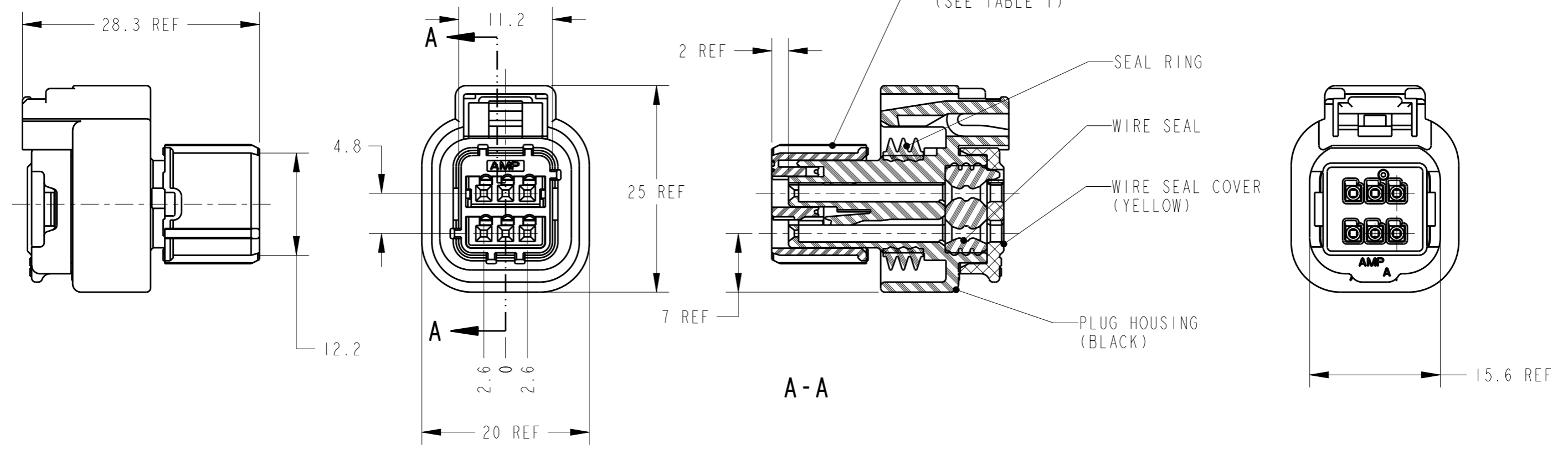


FINAL LOCK CONDITION OF RETAINER

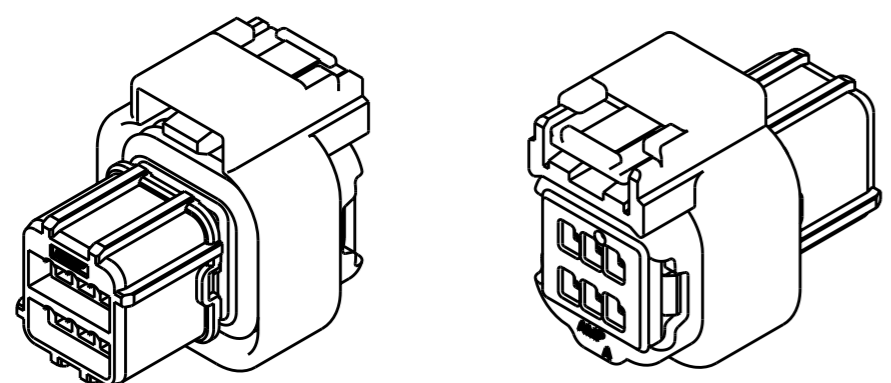
1. GENERAL TOLERANCES  
一般公差
- |      |      |         |
|------|------|---------|
| 10 ≥ | :    | ±0.2    |
| 30 ≥ | > 10 | : ±0.25 |
|      | > 30 | : ±0.3  |

2. INSUTRUCTION SHEET : 411-78021  
取扱説明書

TABLE . 1



A-A



THIS DRAWING IS A CONTROLLED DOCUMENT.

DIMENSIONS: 単位: 耗 mm	TOLERANCES UNLESS OTHERWISE SPECIFIED:	DWN Y. FUJIWARA 01NOV01
	0-PLC ±	CHK Y. NOGUCHI 01NOV01
	1-PLC ±0.5	APVD K. ASAI 01NOV01
	2-PLC ±0.13	PRODUCT SPEC 108-5763
	3-PLC ±0.013	APPLICATION SPEC 取付適用規格 114-5278
	4-PLC ±0.000J	WEIGHT 6.2g
	ANGLES ±3'00"	CUSTOMER DRAWING
MATERIAL 材料 PBT	FINISH 仕上 BLACK	

WIRE RANGE 抱合電線断面積 0.3~0.5 SQ	INSULATION DIA 被覆外径 1.4~1.7 DIA	TE Connectivity	
NAME 名称 PLUG HOUSING ASSY 6 POS CLEAN BODY 025 CONNECTOR			
SIZE A3	CAGE CODE 00779	DRAWING NO C=1473847	RESTRICTED TO -
SCALE 尺度 2:1		SHEET OF 1	REV AI

单击下面可查看定价，库存，交付和生命周期等信息

[>>TE Connectivity\(泰科\)](#)