

THIS DRAWING IS UNPUBLISHED.

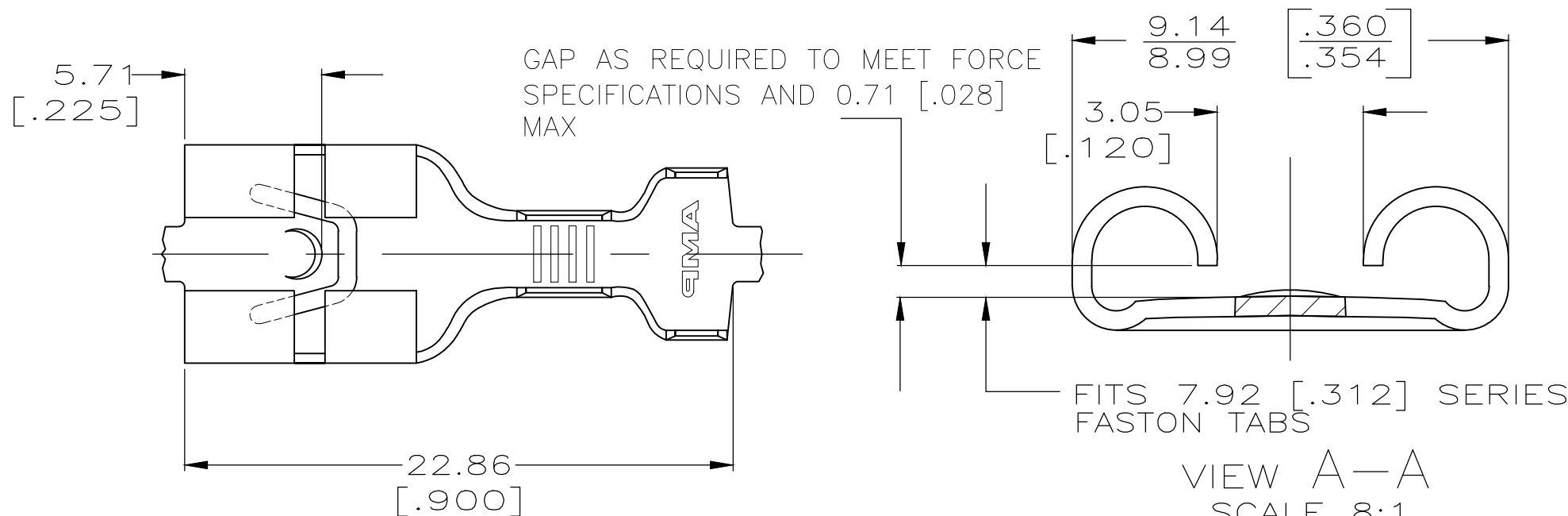
RELEASED FOR PUBLICATION

ALL RIGHTS RESERVED.

LOC AF DIST 50

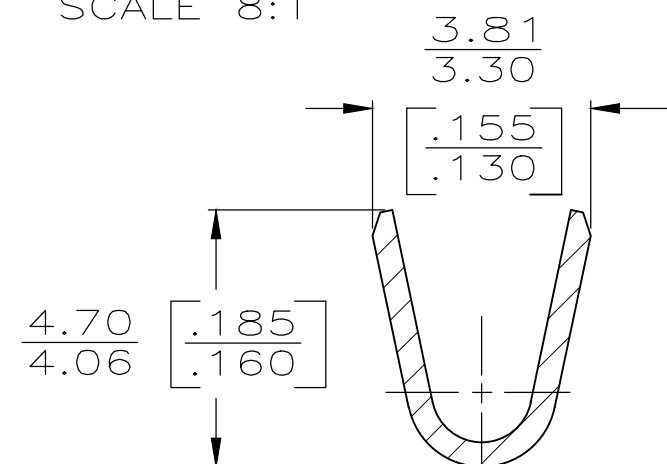
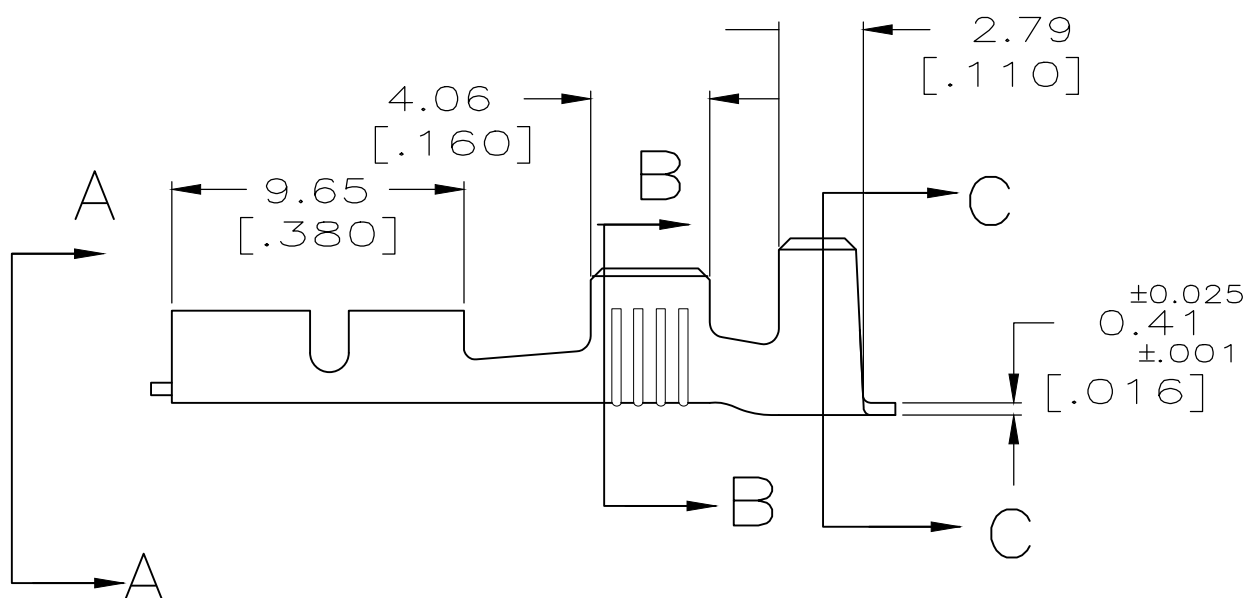
REVISIONS

P	LTR	DESCRIPTION	DATE	DWN	APVD
	H1	REVISED PER ECR-20-009164	20JUL2020	MK	DH

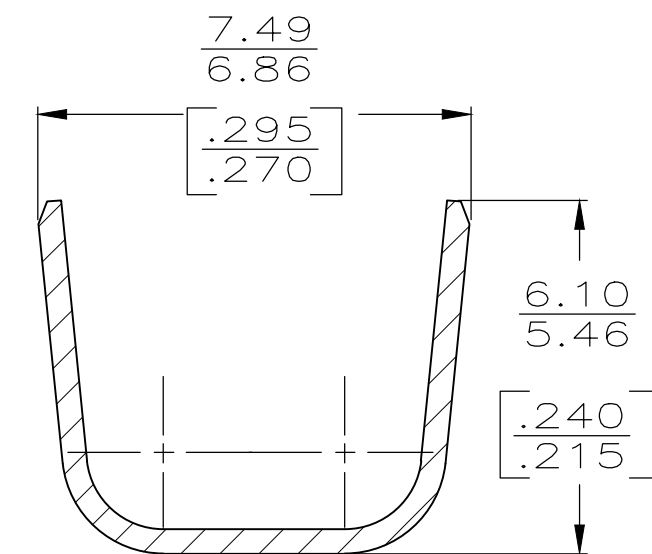


- 1 CONTINUOUS STRIP ON REELS.
- 2 MATING TAB THK TO BE 0.84-0.76 [.033-.030].
- 3 WIRE SIZE IS [#16-#12] AWG.
- 4 INSULATION RANGE IS 4.06 OR (2) 3.30 [.160 OR (2) .130].

VIEW A-A SCALE 8:1



SECTION B-B SCALE 8:1

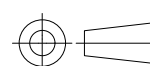


SECTION C-C SCALE 8:1

TYPE	WIDTH	STRIP LENGTH	TYPE	WIDTH	HEIGHT	WIRE
F	6.35 [.250]	5.59 [.220]	F	3.05 [.120]	1.75 [.069]	1.3mm ² [16]
					1.96 [.077]	2.0mm ² [14]
					2.29 [.090]	3.0mm ² [12]
					1.96 [.077]	1.3 + 0.8mm ² [16 + 18]
					2.11 [.083]	TWO 1.3mm ² [TWO #16'S]
					1.85 [.073]	TWO 0.8mm ² [TWO #18'S]
INSUL BARREL CRIMP		±0.38 ±[.015]	WIRE BARREL CRIMP		±0.051 [±.002]	

THIS DRAWING IS A CONTROLLED DOCUMENT.

DIMENSIONS: mm [INCHES]



TOLERANCES UNLESS OTHERWISE SPECIFIED:

0 PLC	± -
1 PLC	± -
2 PLC	± 0.25 [.010]
3 PLC	± -
4 PLC	± -
ANGLES	± -
FINISH	SEE TABLE

MATERIAL BRASS

DWN JR RUTH 9/29/92

CHK MS FEHER 9/29/92

APVD C MEYERS 9/29/92

PRODUCT SPEC

APPLICATION SPEC

114-2036

WEIGHT -

CUSTOMER DRAWING

-	63677-2
TIN	63677-1
FINISH	PART NO

STE TE Connectivity

RECEPTACLE, FASTON, 7.92 [.312] SERIES

SIZE	CAGE CODE	DRAWING NO	RESTRICTED TO
A3	00779	C-63677	-

SCALE 4:1 SHEET 1 OF 1 REV H1

单击下面可查看定价，库存，交付和生命周期等信息

[>>TE Connectivity\(泰科\)](#)