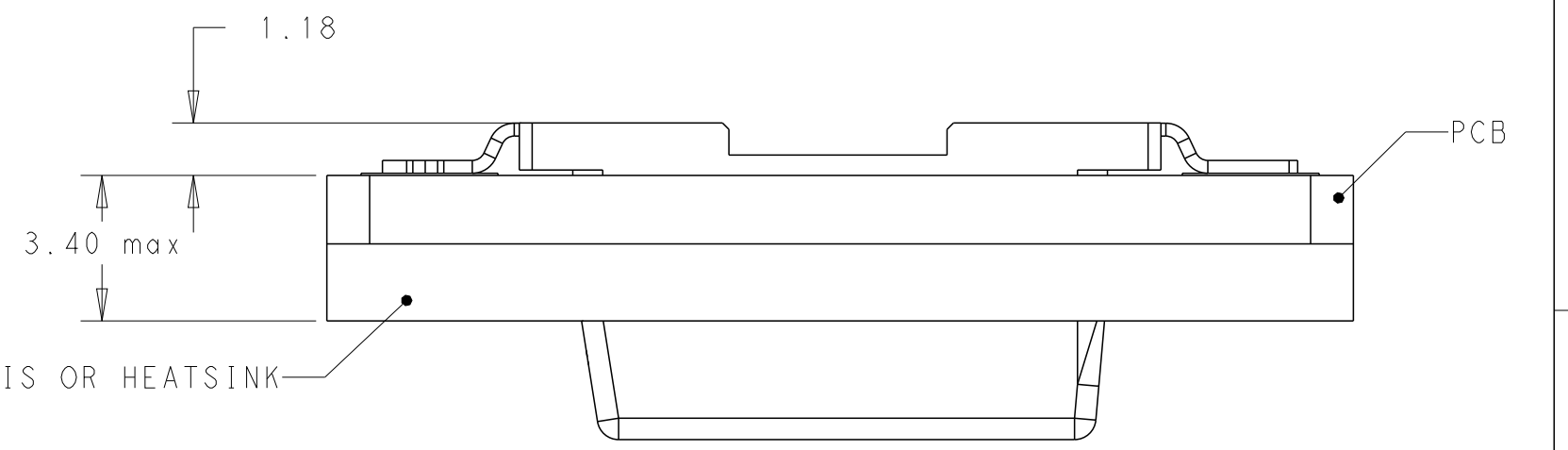
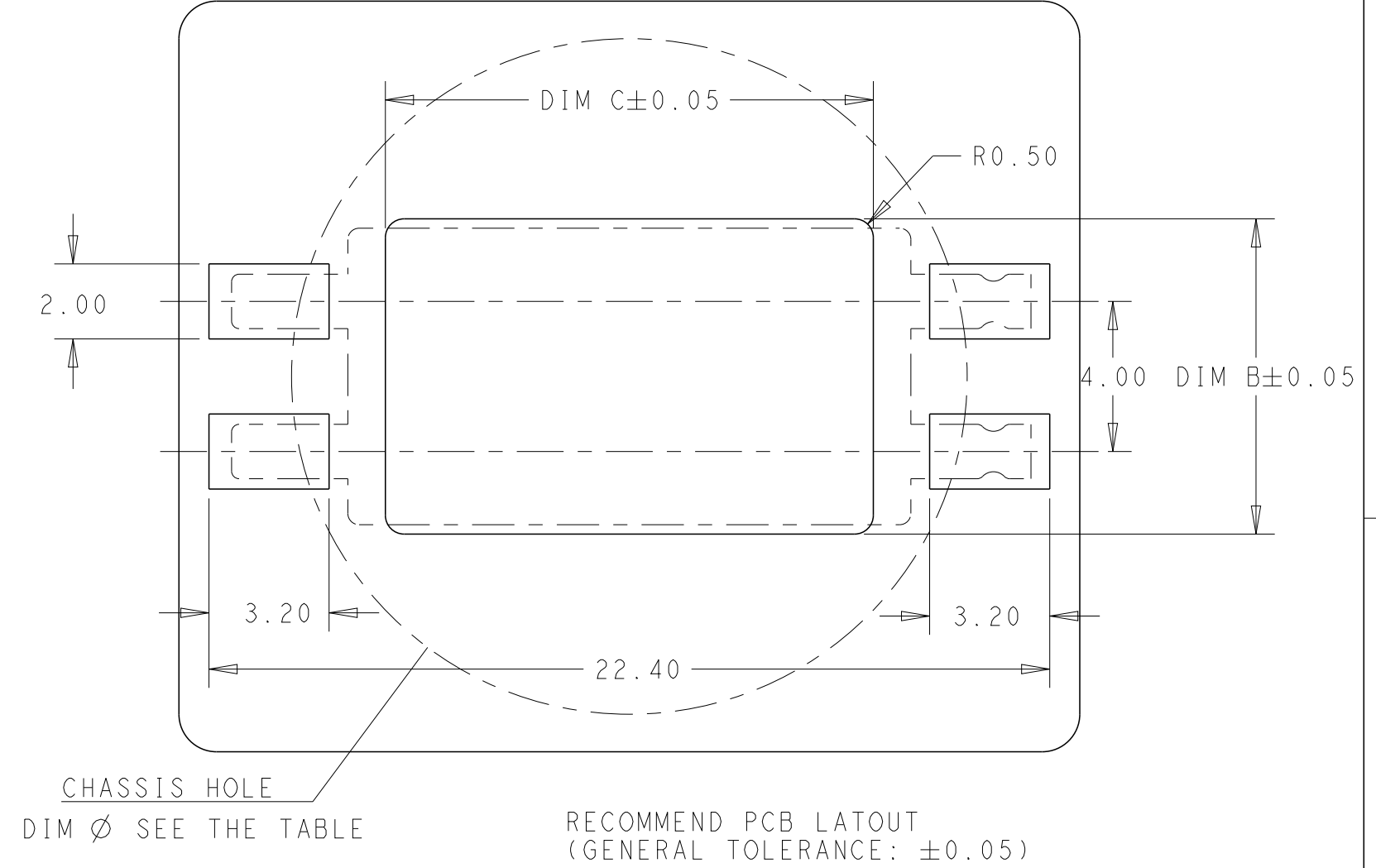
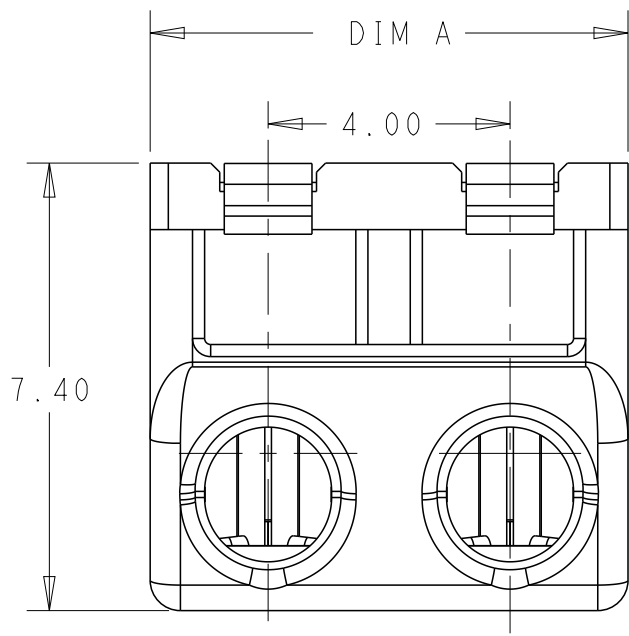
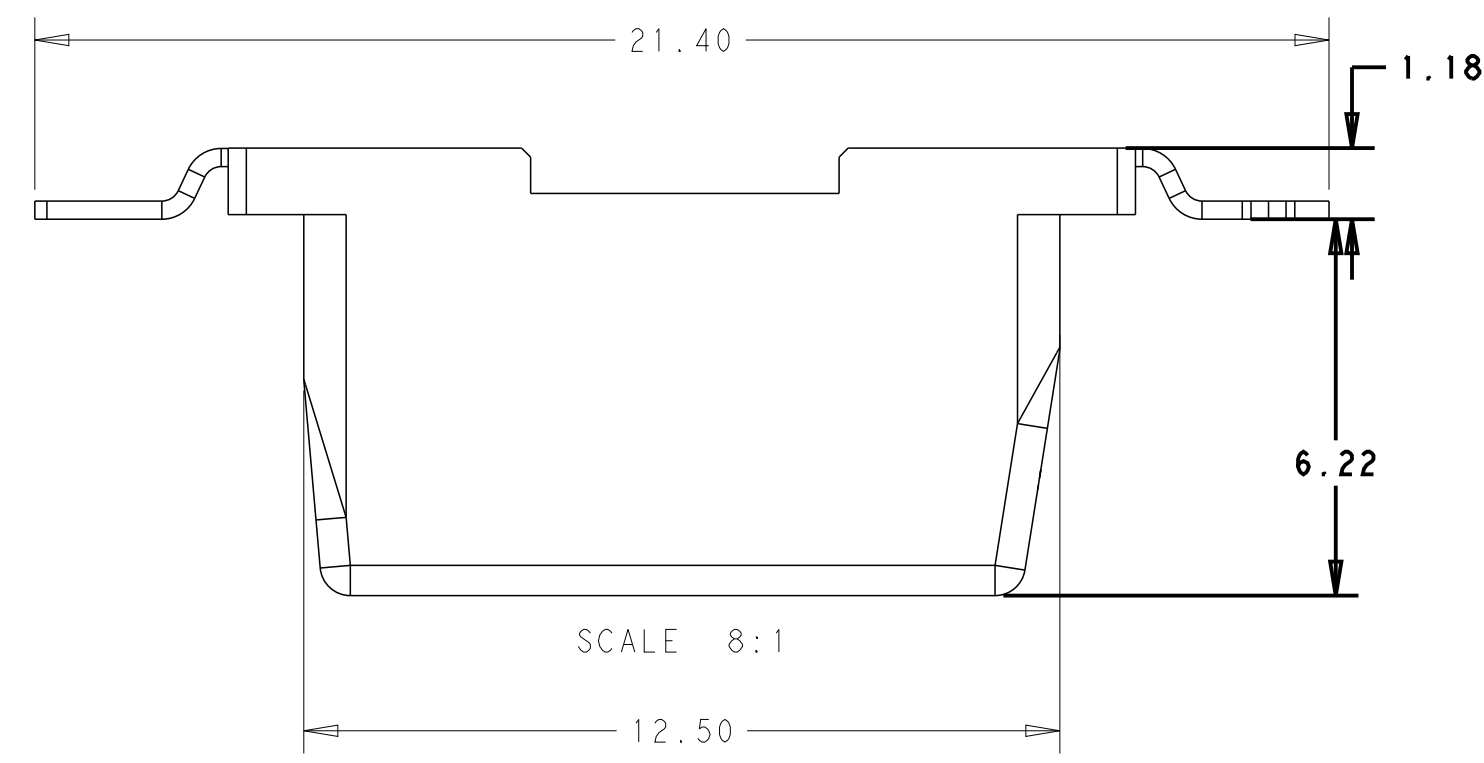
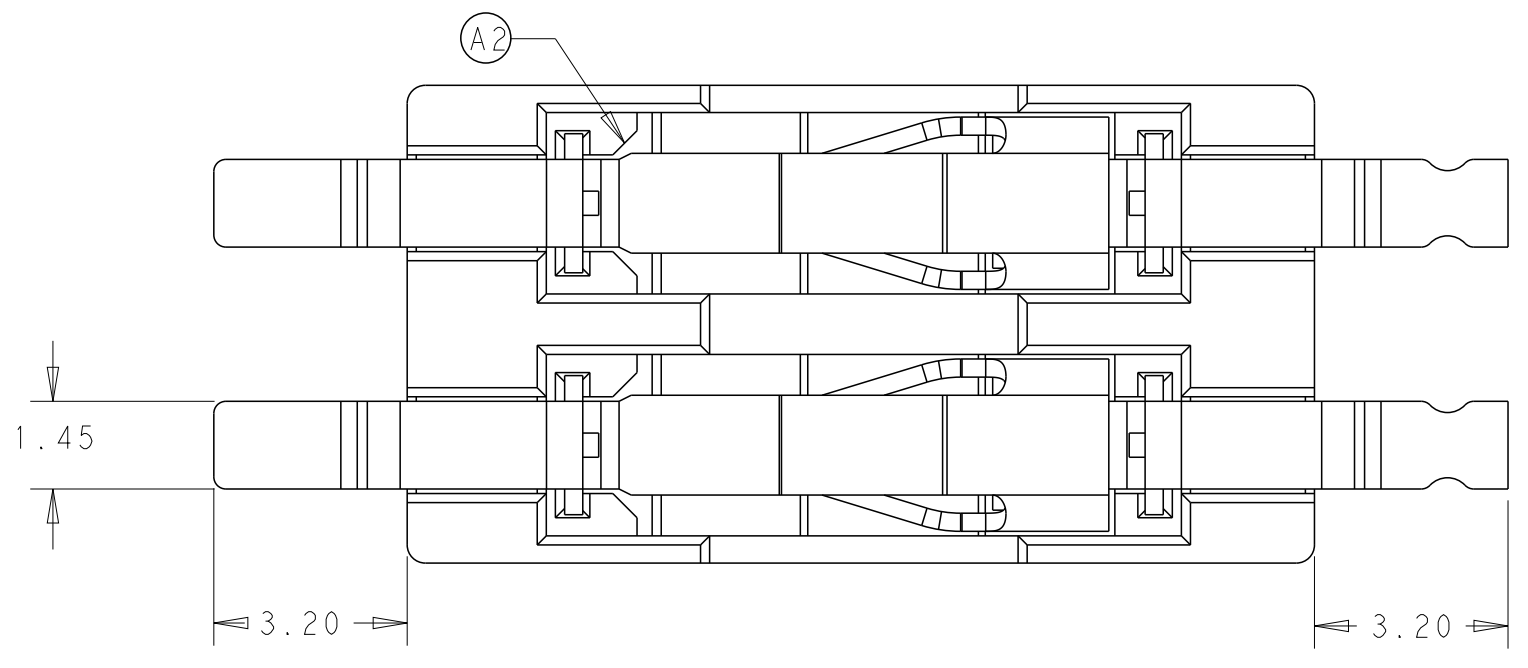


THIS DRAWING IS UNPUBLISHED. RELEASED FOR PUBLICATION 20  
 © COPYRIGHT 20 BY - ALL RIGHTS RESERVED.

REVISIONS					
P	LTR	DESCRIPTION	DATE	DWN	APVD
A		FIRST RELEASE	13NOV2018	G.F	S.M
A1		ADD NEW COLOR P/N	03SEP2019	G.F	S.M
A2		ADD MATERIAL ON THE HOUSING	30MAR2023	C.Z	S.M

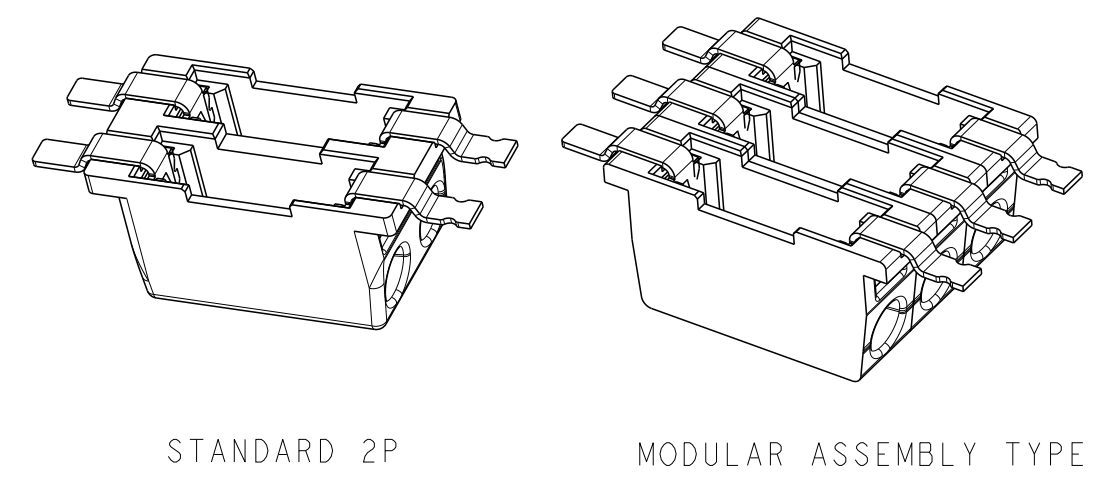
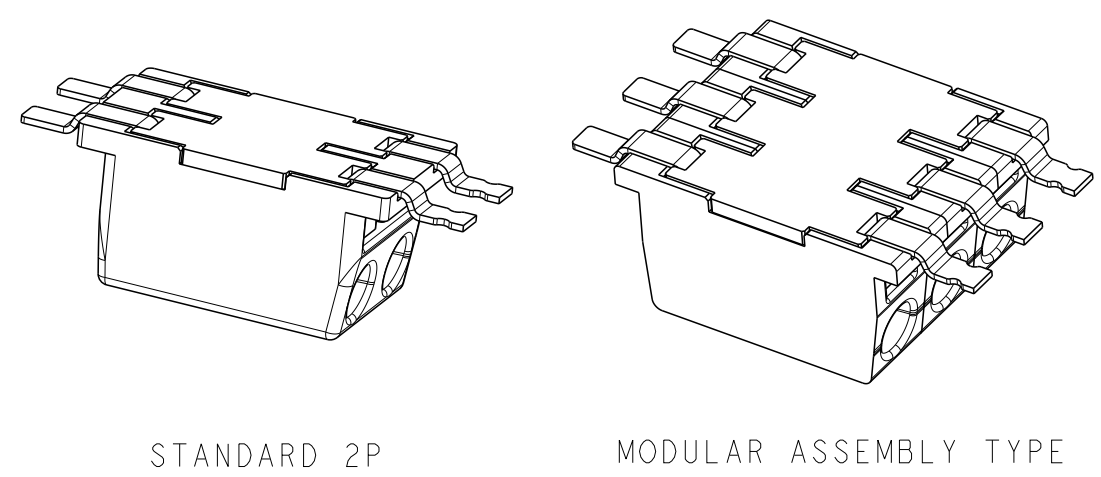
NOTES :

- MATERIALS AND FINISH:  
 - HOUSING: HIGH THERMAL PLASTIC  
 - CONTACTS: COPPER ALLOY, FINISH: PRE-TIN OVER NICKEL UNDERPLATE
- MUST COMPLY WITH DIRECTIVE 2002/95/EC (ROHS)
- OPERATING TEMPERATURE: -55°C~ 105°C
- WIRE TYPES AND SIZES ACCEPTED  
 SOLID WIRE: 18AWG, 20AWG, 22AWG, 24AWG  
 STRAND WIRE: 18AWG(STRANDS:16); 20AWG(STRANDS:7); 22AWG(STRANDS:7)  
 24AWG(UL1061/STRANDS:7)  
 MAX INSULATION OD: 2.1mm MAX.  
 STRIP LENGTH: 8.0±0.5mm
- PACKAGED IN TAPE AND REEL



ADD CAP P/N: \*-2834334-\*

W/O CAP P/N: \*-2834313-\*



SET INSTALLTION OF PCB & CHASSIS OR HEATSINK

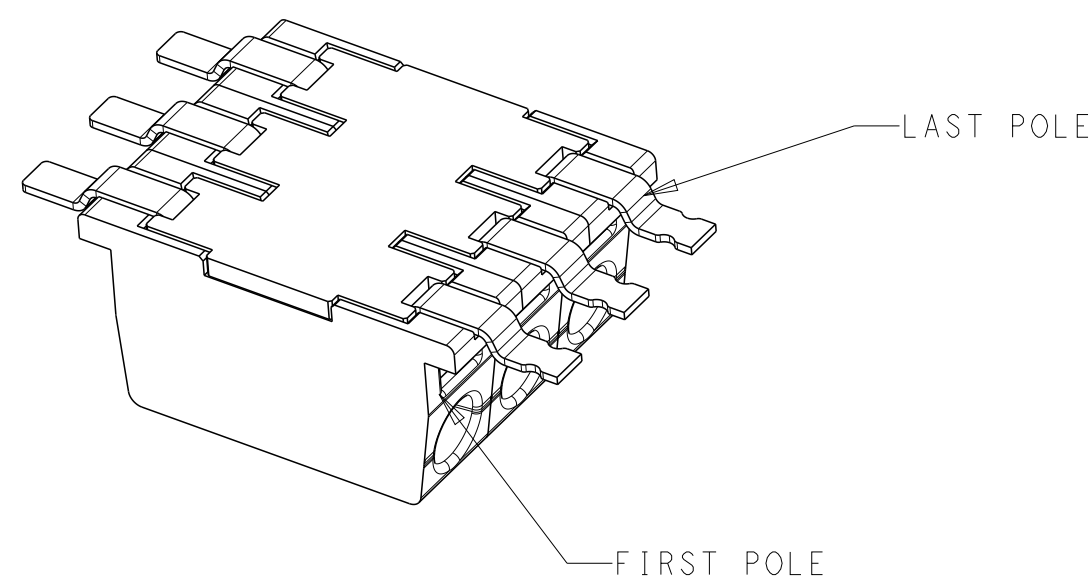
THIS DRAWING IS A CONTROLLED DOCUMENT.		DWN CHENG ZHAO 31-Mar-23	TE Connectivity		
DIMENSIONS: mm		CHK GEORGE FU 31-Mar-23			
TOLERANCES UNLESS OTHERWISE SPECIFIED:		APVD SHI MING 31-Mar-23	NAME 4.0PITCH ITB RELEASABLE POKE-IN CONNECTOR		
0 PLC ±		PRODUCT SPEC 108-137311	SIZE A2		
1 PLC ±0.20		APPLICATION SPEC 114-137311	CAGE CODE 00779		
2 PLC ±0.13		WEIGHT -	DRAWING NO C-2834313		
3 PLC ±		CUSTOMER DRAWING	RESTRICTED TO -		
4 PLC ±		SCALE 4:1	SHEET 1 OF 2		
ANGLES ±			REV A2		
FINISH					
NOTE1					


THIS DRAWING IS UNPUBLISHED. RELEASED FOR PUBLICATION 20  
 © COPYRIGHT 20 BY - ALL RIGHTS RESERVED.

REVISIONS				
P	LTR	DESCRIPTION	DATE	APVD
		SEE SHEET 1		

∅21 MIN	13.1	12.6	12.0	WHITE/BLACK/RED	3	3-2834313-3
∅21 MIN	13.1	12.6	12.0	RED/BLACK/WHITE	3	2-2834313-3
∅21 MIN	13.1	12.6	12.0	BLACK/WHITE/RED	3	1-2834313-3
∅21 MIN	13.1	12.6	12.0	ALL WHITE	3	2834313-3
∅18 MIN	13.1	8.6	8.0	WHITE/BLACK	2	8-2834313-2
∅18 MIN	13.1	8.6	8.0	BLACK/RED	2	7-2834313-2
∅18 MIN	13.1	8.6	8.0	RED/BLACK	2	6-2834313-2
∅18 MIN	13.1	8.6	8.0	WHITE/RED	2	5-2834313-2
∅18 MIN	13.1	8.6	8.0	GRAY/BLUE	2	4-2834313-2
∅18 MIN	13.1	8.6	8.0	BLACK/WHITE	2	3-2834313-2
∅18 MIN	13.1	8.6	8.0	ALL BLACK	2	2-2834313-2
∅18 MIN	13.1	8.6	8.0	BROWN/YELLOW	2	1-2834313-2
∅18 MIN	13.0	8.4	8.0	WHITE	2	2834313-2 (Standard 2P)
∅16 MIN	13.1	4.6	4.0	GREEN	1	4-2834313-1
∅16 MIN	13.1	4.6	4.0	BLUE	1	3-2834313-1
∅16 MIN	13.1	4.6	4.0	BLACK	1	2-2834313-1
∅16 MIN	13.1	4.6	4.0	RED	1	1-2834313-1
∅16 MIN	13.0	4.4	4.0	WHITE	1	2834313-1
CHASSIS HOLE	DIM C	DIM B	DIM A	COLOR	POLES No	PART NO
PRODUCT WITHOUT CAP TYPE						

∅21 MIN	13.1	12.6	12.0	WHITE/BLACK/RED	3	3-2834334-3
∅21 MIN	13.1	12.6	12.0	RED/BLACK/WHITE	3	2-2834334-3
∅21 MIN	13.1	12.6	12.0	BLACK/WHITE/RED	3	1-2834334-3
∅21 MIN	13.1	12.6	12.0	ALL WHITE	3	2834334-3
∅18 MIN	13.1	8.6	8.0	BLUE/RED	2	1-2834334-0
∅18 MIN	13.1	8.6	8.0	RED/BLUE	2	9-2834334-2
∅18 MIN	13.1	8.6	8.0	WHITE/BLACK	2	8-2834334-2
∅18 MIN	13.1	8.6	8.0	BLACK/RED	2	7-2834334-2
∅18 MIN	13.1	8.6	8.0	RED/BLACK	2	6-2834334-2
∅18 MIN	13.1	8.6	8.0	WHITE/RED	2	5-2834334-2
∅18 MIN	13.1	8.6	8.0	GRAY/BLUE	2	4-2834334-2
∅18 MIN	13.1	8.6	8.0	BLACK/WHITE	2	3-2834334-2
∅18 MIN	13.1	8.6	8.0	ALL BLACK	2	2-2834334-2
∅18 MIN	13.1	8.6	8.0	BROWN/YELLOW	2	1-2834334-2
∅18 MIN	13.0	8.4	8.0	WHITE	2	2834334-2 (Standard 2P)
∅16 MIN	13.1	4.6	4.0	GREEN	1	4-2834334-1
∅16 MIN	13.1	4.6	4.0	BLUE	1	3-2834334-1
∅16 MIN	13.1	4.6	4.0	BLACK	1	2-2834334-1
∅16 MIN	13.1	4.6	4.0	RED	1	1-2834334-1
∅16 MIN	13.0	4.4	4.0	WHITE	1	2834334-1
CHASSIS HOLE	DIM C	DIM B	DIM A	COLOR	POLES No	PART NO
PRODUCT WITH CAP TYPE						



THIS DRAWING IS A CONTROLLED DOCUMENT.		DWN CHENG ZHAO 31-Mar-23	 TE Connectivity	
DIMENSIONS: mm		CHK GEORGE FU 31-Mar-23		
TOLERANCES UNLESS OTHERWISE SPECIFIED:		APVD SHI MING 31-Mar-23	NAME 4.0PITCH ITB RELEASABLE POKE-IN CONNECTOR	
0 PLC ± 1 PLC ±0.20 2 PLC ±0.13 3 PLC ± 4 PLC ± ANGLES ± FINISH -		PRODUCT SPEC 108-137311	RESTRICTED TO	
MATERIAL - NOTE 1		APPLICATION SPEC 114-137311	SIZE A2	CAGE CODE 00779
		WEIGHT -	DRAWING NO C-2834313	SCALE 4:1
		CUSTOMER DRAWING	SHEET 2	REV A2

单击下面可查看定价，库存，交付和生命周期等信息

[>>TE Connectivity\(泰科\)](#)