

4

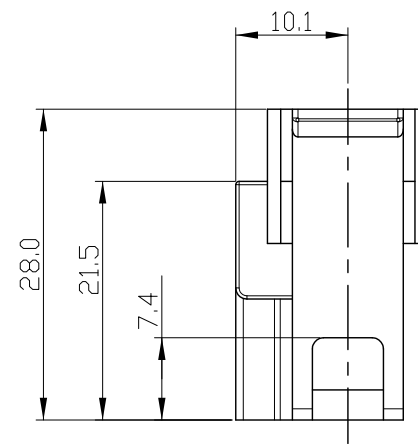
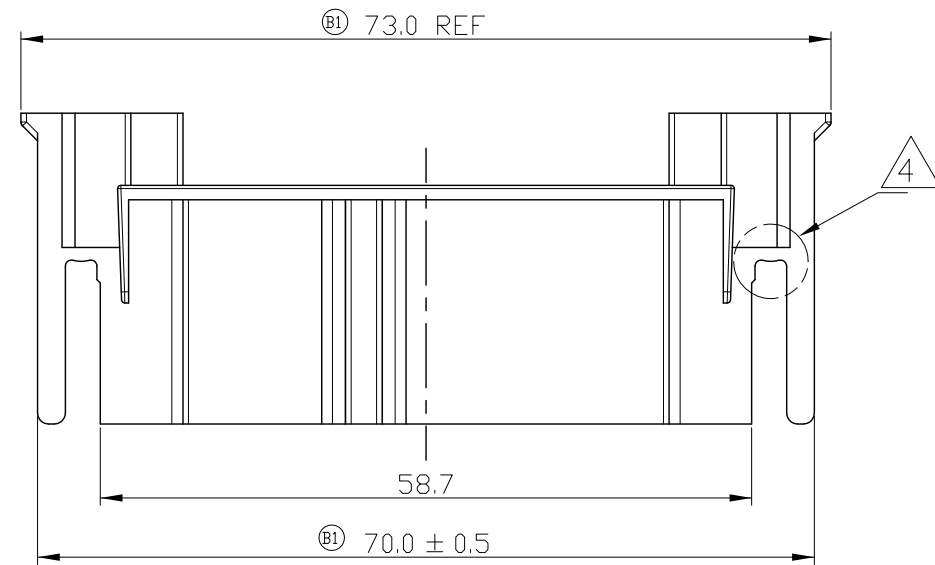
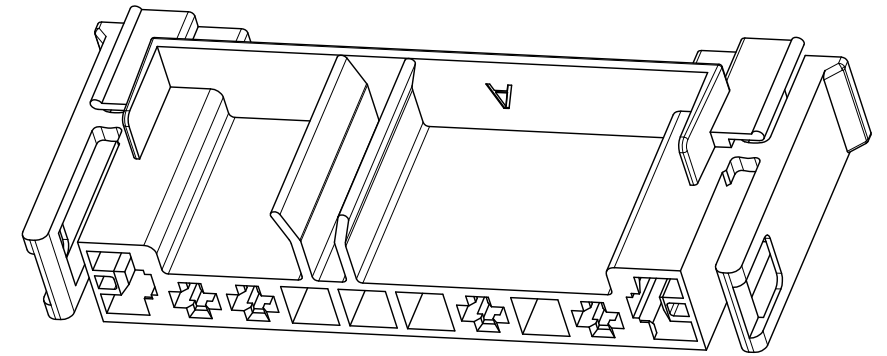
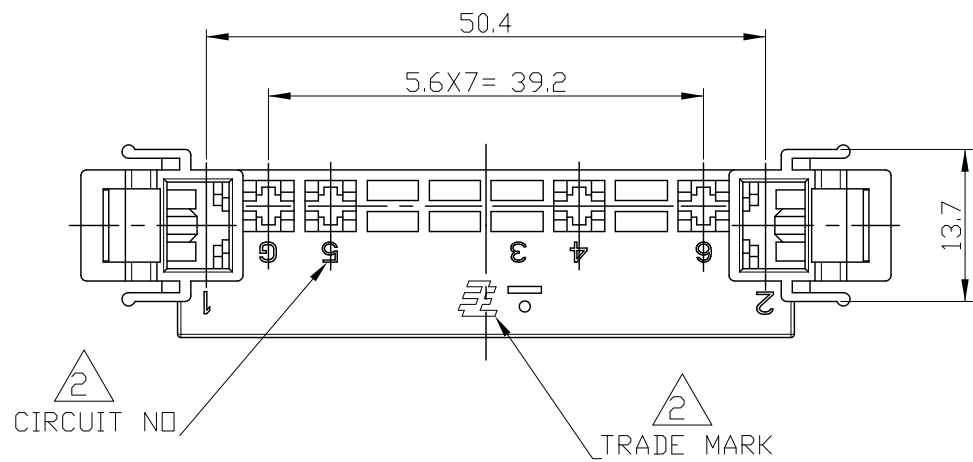
3

2

1

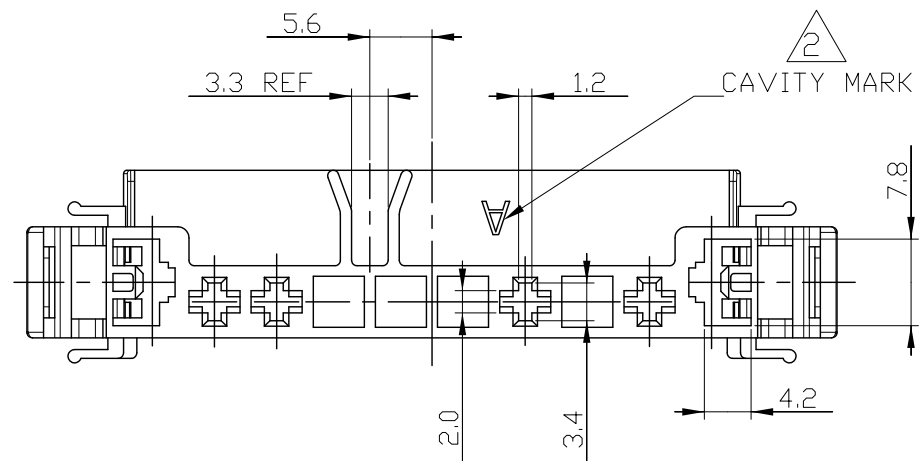
THIS DRAWING IS UNPUBLISHED. RELEASED FOR PUBLICATION 20
© COPYRIGHT 20 BY - ALL RIGHTS RESERVED.

LOC	DIST	REVISIONS					
		P	LTR	DESCRIPTION	DATE	DWN	APVD
DS	-		B1	REVISED PER ECR-13-007850	03JUN2013	SC	BW



NOTE,

- 1. MATERIAL: PC/PET, UL94 V-0 ACCORDING TO IEC 60335-1, GWT 750 °C WITHOUT FLAME.
- 2. TRADE MARK, CIRCUIT NO. AND CAVITY MARK SHALL BE LOCATED APPROX. AS SHOWN.
- 3. APPLICABLE CONTACT P/N: 170329-1(250) / 1217039-1(125)
- 4. IMPROVED HINGE GEOMETRY OF LEVER



1897058-1	1	NATURAL
P/N	MATERIAL	COLOR

THIS DRAWING IS A CONTROLLED DOCUMENT.		DWN SC KIM 10NOV2006		
DIMENSIONS: mm		CHK BH CHD 10NOV2006		
TOLERANCES UNLESS OTHERWISE SPECIFIED:		APVD BW KANG 10NOV2006	NAME	
0 PLC ±		PRODUCT SPEC	125/250 6P Conn. for Motor (GWT)	
1 PLC ± ±0.3		APPLICATION SPEC	SIZE	CAGE CODE
2 PLC ±		108-61092	A3	00779
3 PLC ±		-	DRAWING NO 1897058	
4 PLC ±		WEIGHT -	RESTRICTED TO -	
ANGLES ±		CUSTOMER DRAWING	SCALE N/S	SHEET 1 OF 1
FINISH -		REV B1		

单击下面可查看定价，库存，交付和生命周期等信息

[>>TE Connectivity\(泰科\)](#)