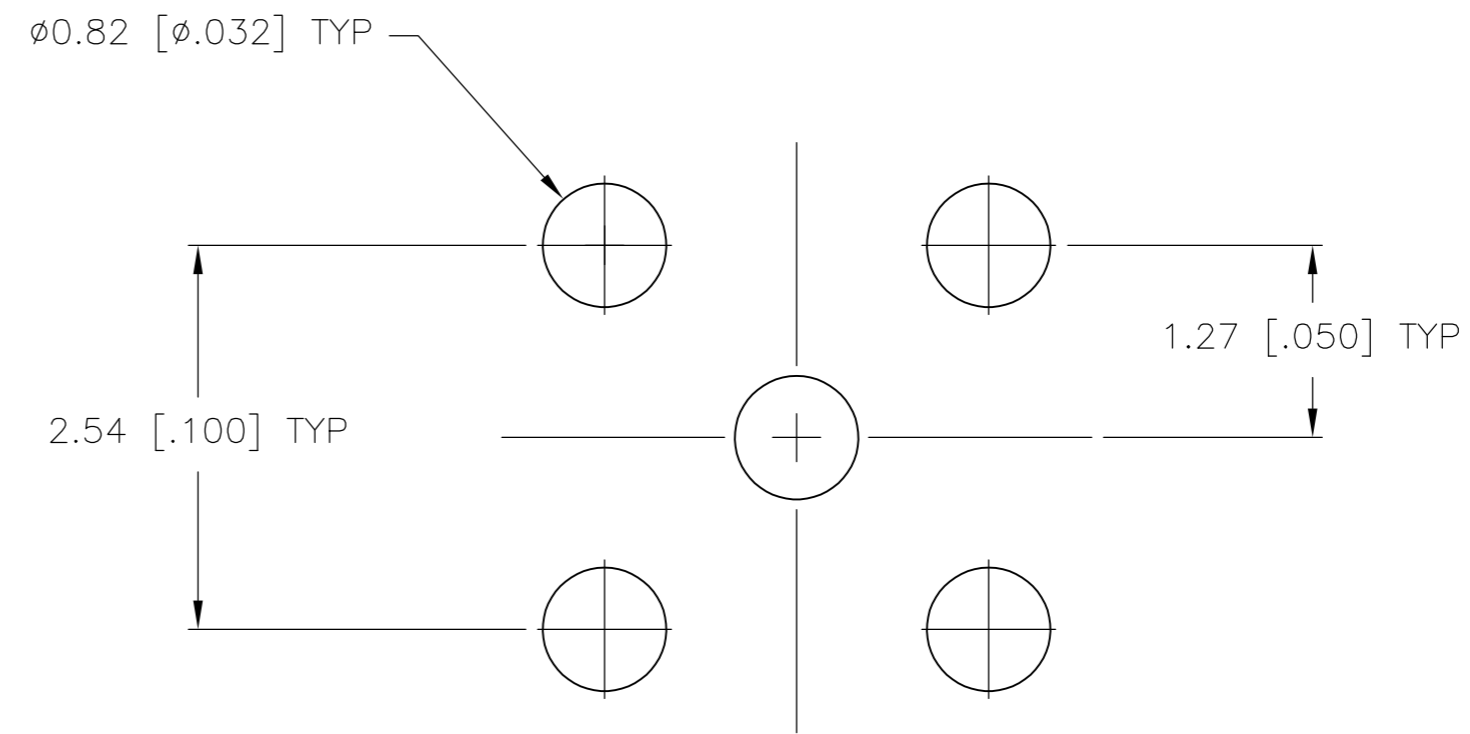
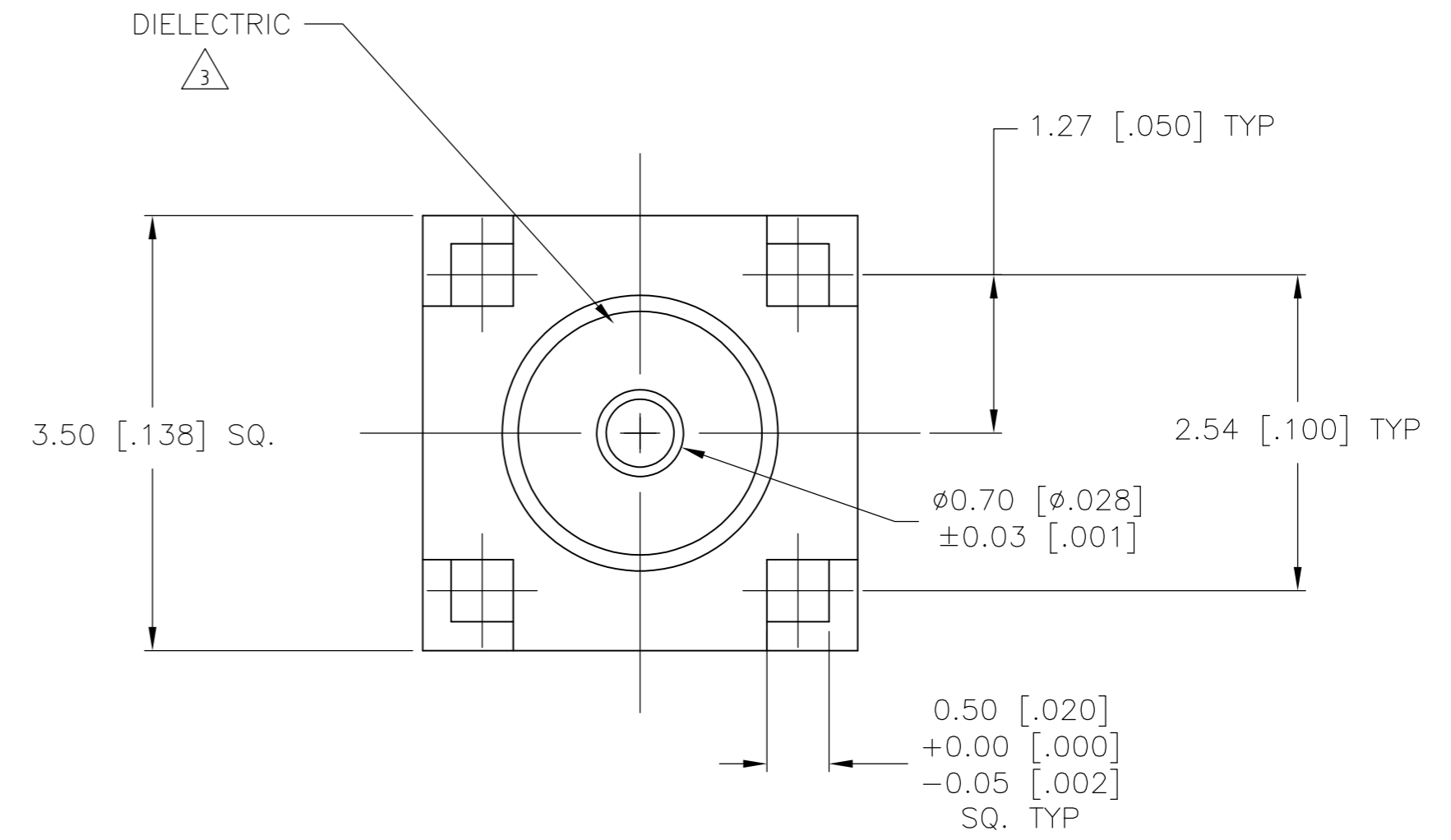
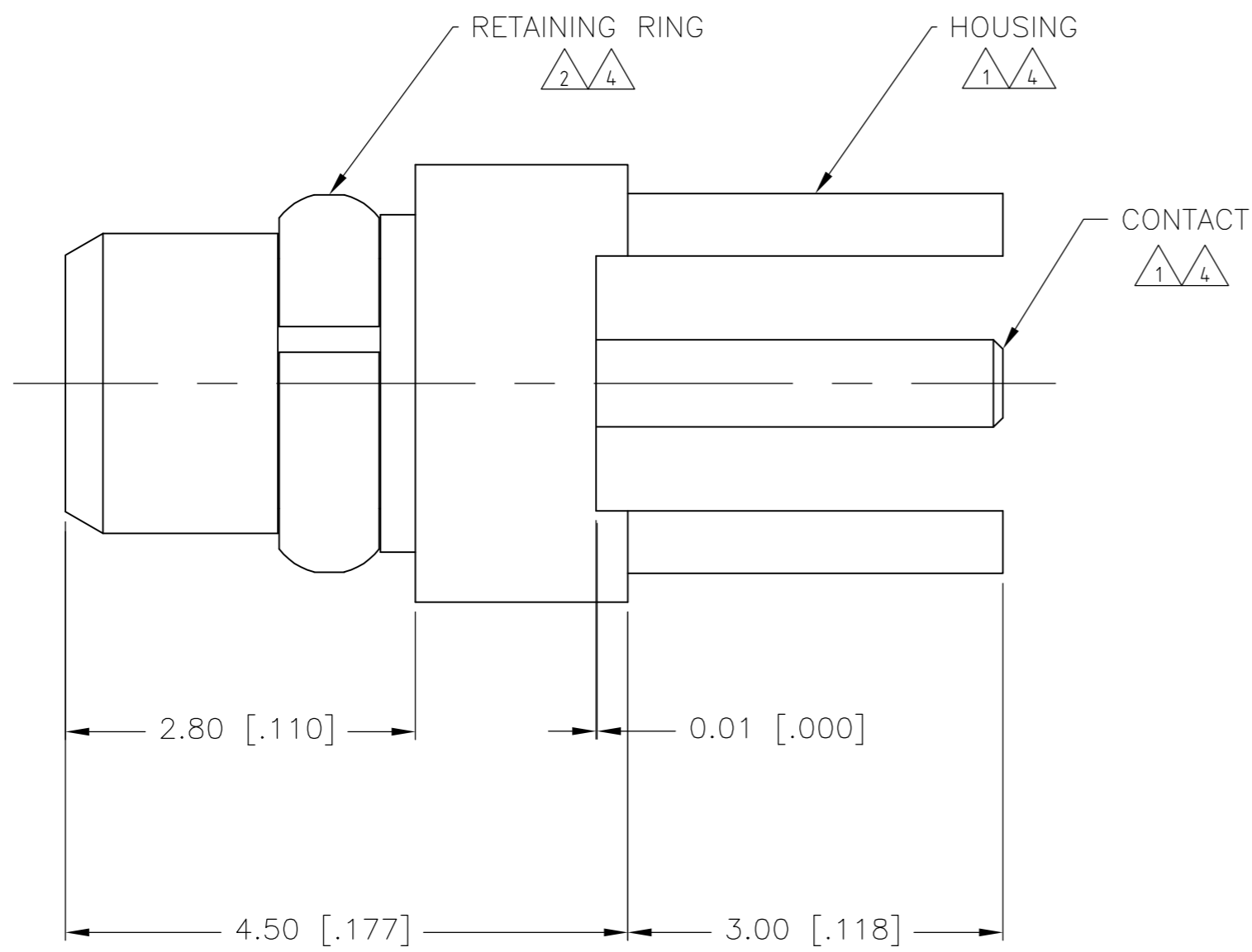


THIS DRAWING IS UNPUBLISHED. RELEASED FOR PUBLICATION
 © COPYRIGHT - By - ALL RIGHTS RESERVED.

LOC		DIST		REVISIONS			
P	LTR	DESCRIPTION		DATE	DWN	APVD	
		B1		REVISED PER ECO-11-005030	11MAR11	RK HMR	



RECOMMENDED PCB LAYOUT
 TOLERANCE ±0.08 [.003]

- 1 BRASS PER ASTM-B-16
- 2 BERYLLIUM COPPER PER ASTM-B-196
- 3 PTFE PER ASTM-D-1710
- 4 GOLD PLATE PER ASTM-B488
- 5. PRODUCT HAS NOT COMPLETED QUALIFICATION TESTING.

1408496-1
 PART NUMBER

THIS DRAWING IS A CONTROLLED DOCUMENT.		DWN	K. WEIDNER	17JUN03	TE Connectivity NAME MMCX STRAIGHT PCB PLUG						
DIMENSIONS:		CHK	K. WEIDNER	05APR04				SIZE	CAGE CODE	DRAWING NO	RESTRICTED TO
mm [INCHES]		APVD	K. WEIDNER	05APR04				A2	00779	C=1408496	-
TOLERANCES UNLESS OTHERWISE SPECIFIED:		PRODUCT SPEC		APPLICATION SPEC				SCALE	SHEET	REV	
0 PLC	± -	108-2084		-		20:1	1 of 1	B1			
1 PLC	± 0.26 [.010]	-		-		CUSTOMER DRAWING					
2 PLC	± 0.13 [.005]	-		-							
3 PLC	± -	-		-							
4 PLC	± -	-		-							
ANGLES	± 1°	-		-							
MATERIAL	FINISH	-		-							

1408496

单击下面可查看定价，库存，交付和生命周期等信息

[>>TE Connectivity\(泰科\)](#)