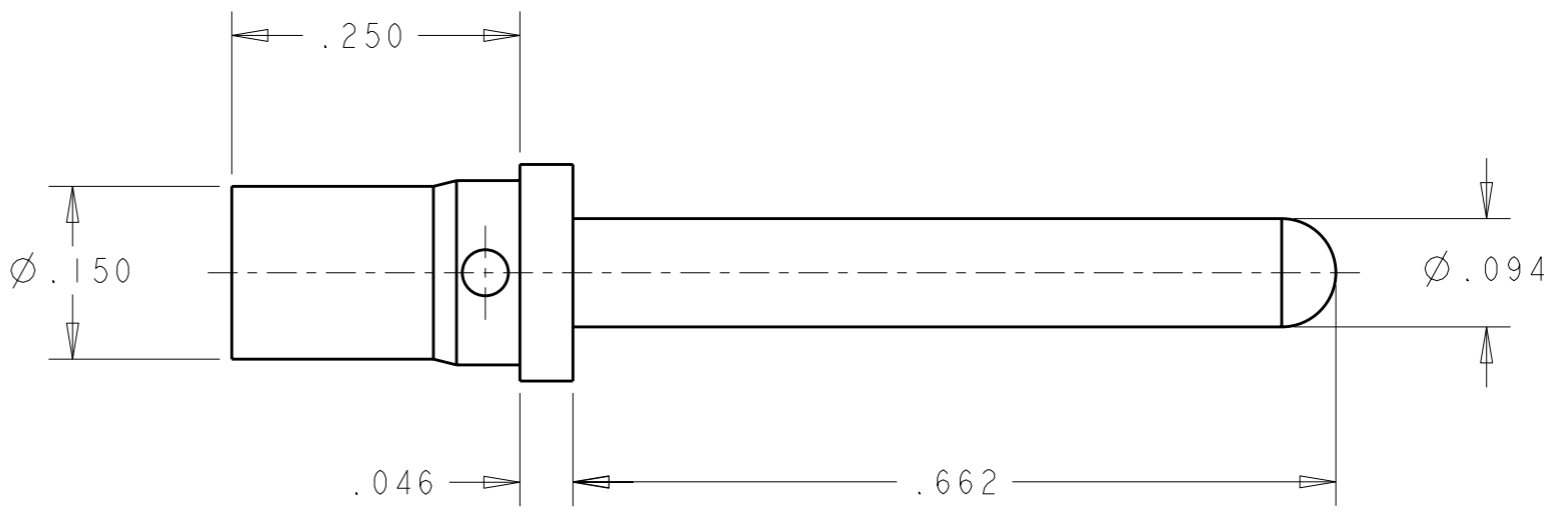
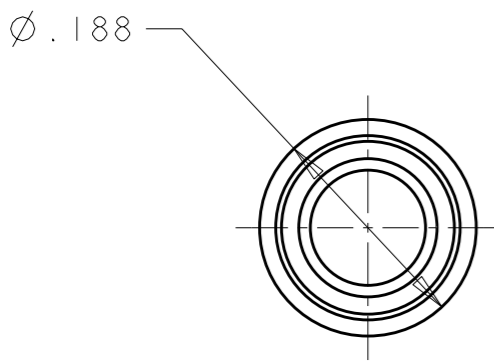


THIS DRAWING IS UNPUBLISHED. RELEASED FOR PUBLICATION 20
 © COPYRIGHT 20 BY TYCO ELECTRONICS CORPORATION. ALL RIGHTS RESERVED.

LOC	DIST	REVISIONS			
P	LTR	DESCRIPTION	DATE	DWN	APVD
GP	00	A	RELEASED	16JUL2009	RG DO



1. PART NUMBER CHANGES AND/OR DESIGN CHANGES AFFECTING THE INTERCHANGEABILITY REQUIRE PRIOR TYCO ELECTRONICS APPROVAL AND AUTHORIZATION BY REVISION TO THIS DRAWING.

2 MATERIAL:
COPPER ALLOY

3 FINISH:
GOLD PLATE .000030 MIN THK. OVER NICKEL .000040 MIN THK.

4. ITEMS PROVIDED TO THIS SPECIFICATION TO BE PERMANENTLY IDENTIFIED ON THE CONTAINER WITH THE FOLLOWING IDENTIFIER:

TYCO ELECTRONICS P/N DATE CODE (e.g. 0216)
 XXXXXXXX-X XXXX

AS SHOWN	1650146-3
DESCRIPTION	PART NUMBER

<small>THIS DRAWING IS A CONTROLLED DOCUMENT FOR TYCO ELECTRONICS CORPORATION IT IS SUBJECT TO CHANGE AND THE CONTROLLING ENGINEERING ORGANIZATION SHOULD BE CONTACTED FOR THE LATEST REVISION.</small>		DWN R. GRZYBOWSKI 16JUL2009 CHK D. ORRIS 16JUL2009 APVD M. PERCHERKE 16JUL2009		Tyco Electronics Harrisburg, PA 17105-3608	
DIMENSIONS: INCHES 		TOLERANCES UNLESS OTHERWISE SPECIFIED: 0 PLC ±. 1 PLC ±. 2 PLC ±.02 3 PLC ±.010 4 PLC ±. ANGLES ±.		NAME: PIN CONTACT, SIZE No. 12 CRIMP REMOVABLE, .542 FRONT EXT. DRAWER	
MATERIAL:		FINISH:		PRODUCT SPEC: 108-2285 APPLICATION SPEC: 114-13206 WEIGHT: -	
CUSTOMER DRAWING				SIZE: A3 CAGE CODE: 00779 DRAWING NO: 1650146 RESTRICTED TO: -	
SCALE: 6:1				SHEET: 1 OF 1 REV: A	

ELCON CONTACTS

单击下面可查看定价，库存，交付和生命周期等信息

[>>TE Connectivity\(泰科\)](#)