

THIS DRAWING IS UNPUBLISHED.

RELEASED FOR PUBLICATION

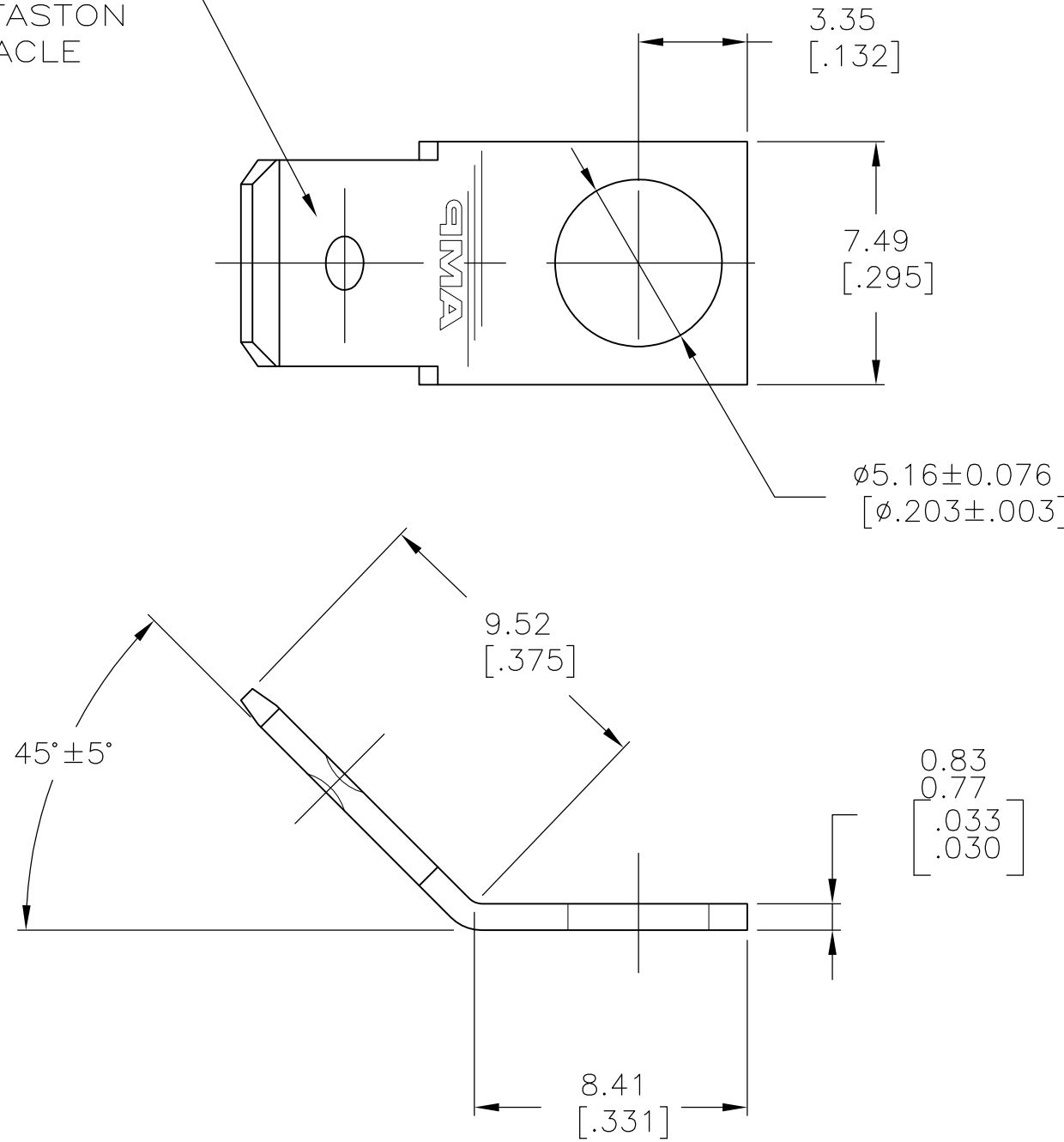
ALL RIGHTS RESERVED.

© COPYRIGHT - TE Connectivity

REVISIONS

P	LTR	DESCRIPTION	DATE	DWN	APVD
	D1	REVISED PER ECR-17-010001	14JUL2017	BW	DH

FITS 6.35 [.250] SERIES FASTON RECEPTACLE



1 SUPPLIED IN LOOSE PIECE.

2 PRE-PRODUCTION - F.A.S.R. REQUIRED

1217252-1 PART NO.

THIS DRAWING IS A CONTROLLED DOCUMENT.		DWN	JR RUTH	26OCT99	STE TE Connectivity		
DIMENSIONS: mm [INCHES]		CHK	MS FEHER	26OCT99			
TOLERANCES UNLESS OTHERWISE SPECIFIED:		APVD	P DESANT	26OCT99	TAB, FASTON™ 6.35 [.250] SERIES		
0 PLC ± -		PRODUCT SPEC		APPLICATION SPEC			RESTRICTED TO
1 PLC ± -		-		SIZE			A3
2 PLC ± 0.25 [.010]		-		CAGE CODE			00779
3 PLC ± -		-		DRAWING NO			C-1217252
4 PLC ± -		-		WEIGHT			-
ANGLES ± -		-		CUSTOMER DRAWING			SCALE 5:1
MATERIAL	FINISH	082 BRASS		TIN		SHEET 1 OF 1	REV D1

单击下面可查看定价，库存，交付和生命周期等信息

[>>TE Connectivity\(泰科\)](#)