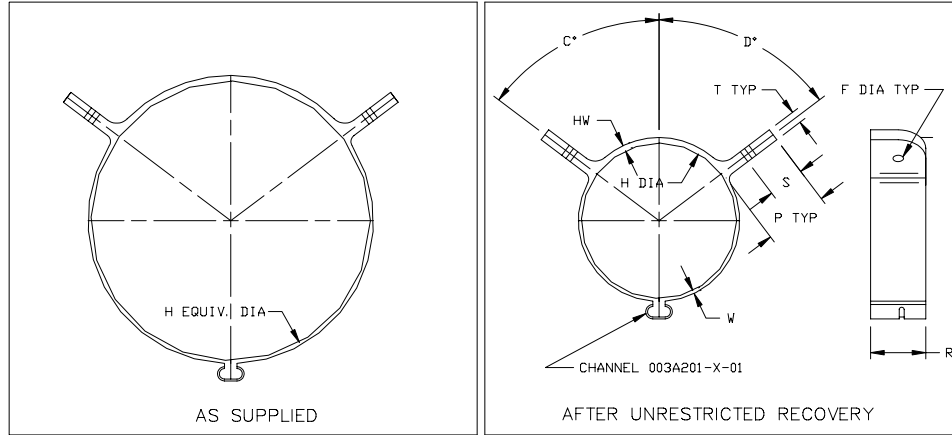


Thermofit[®] Molded Parts Specification Control Drawing

Part Number : 200C814
Description : Strap, Mounting
Heat Detection Sensor

NOTES

- All dimensions are in $\frac{\text{inches}}{\text{[millimeters]}}$
- Dimensions appearing in table are as follows:
 - a - As Supplied
 - b - After Unrestricted Recovery



PART NUMBER	H		P	R	S	T	HW	W	C & D	F
	Min	Max								
	a	b	b	b	b	b	b	b	Ref	b
200C814	3.60 [91,4]	2.50 [63,5]	1.00 [25,4]	1.00 [25,4]	.50 [12,7]	.20 [5,1]	.09 [2,3]	.05 [1,3]	53*	.17 [4,3]

Raychem

RAYCHEM CORPORATION
300 CONSTITUTION DRIVE
MENLO PARK, CALIFORNIA 94025

Revision : D
Date : 4/9/97

Part Number : 200C814
Description : Strap, Mounting
Heat Detection Sensor

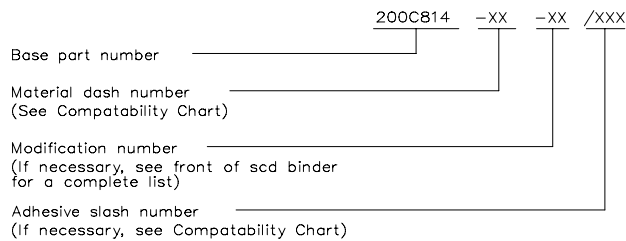
Thermofit[®] Molded Parts Specification Control Drawing

Part Number : 200C814
Description : Strap, Mounting
Heat Detection Sensor

COMPATABILITY CHART					
MATERIAL DASH NO.	MATERIAL DESCRIPTION	RT SPEC	COATING SLASH NO.	COATING S NO.	COATING DESCRIPTION
-3	Polyolefin, Semi-rigid	RT-301	N/A		
-12	*VITON, Flexible	RT-1312	N/A		

*VITON is a Registered Trademark of Dupont

ORDERING INFORMATION



THIS DRAWING IS SUBJECT TO CHANGE WITHOUT NOTICE; CONSULT YOUR
NEAREST FIELD REPRESENTATIVE FOR CURRENT REVISION

If this document is printed it becomes uncontrolled.
Check with the web for latest revision.

Raychem

RAYCHEM CORPORATION
300 CONSTITUTION DRIVE
MENLO PARK, CALIFORNIA 94025

Revision : D
Date : 4/9/97

Part Number : 200C814
Description : Strap, Mounting
Heat Detection Sensor

CAD FILE MP97075

单击下面可查看定价，库存，交付和生命周期等信息

[>>TE Connectivity\(泰科\)](#)