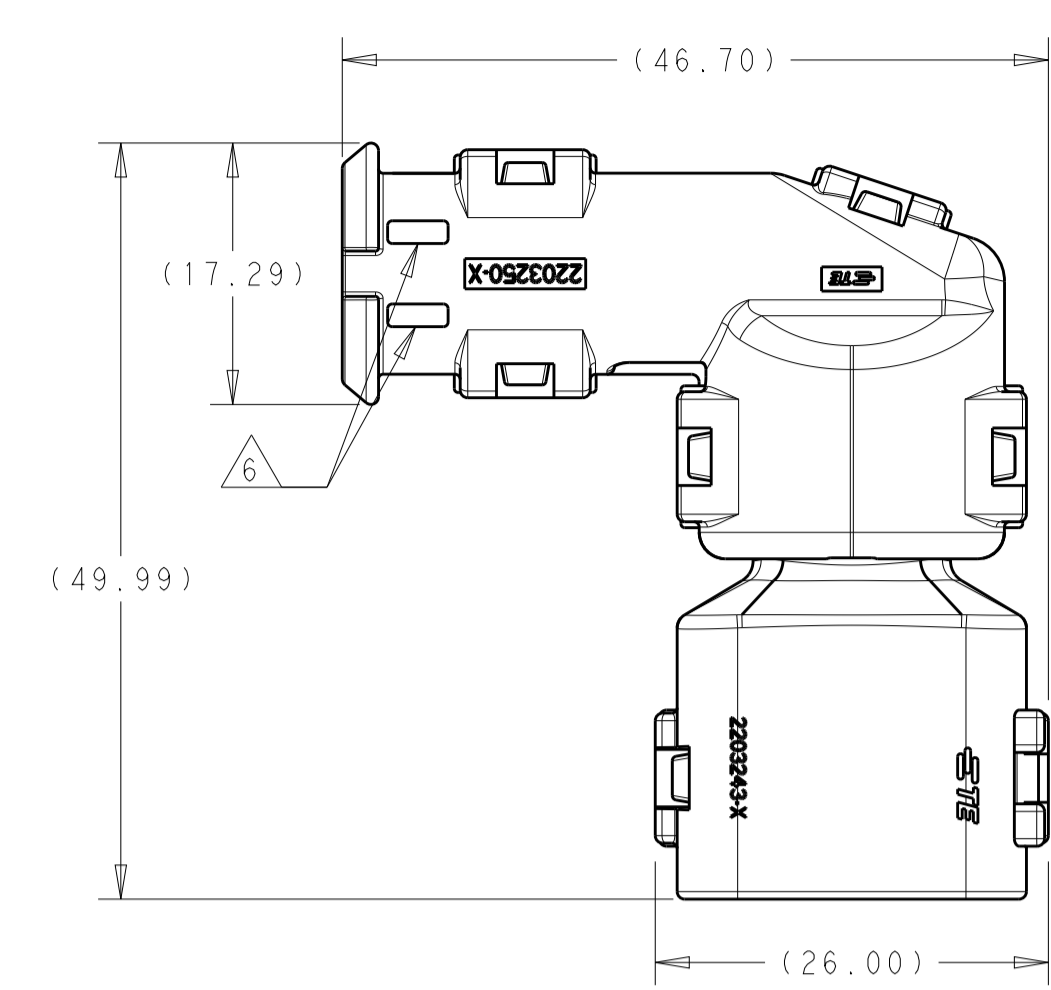
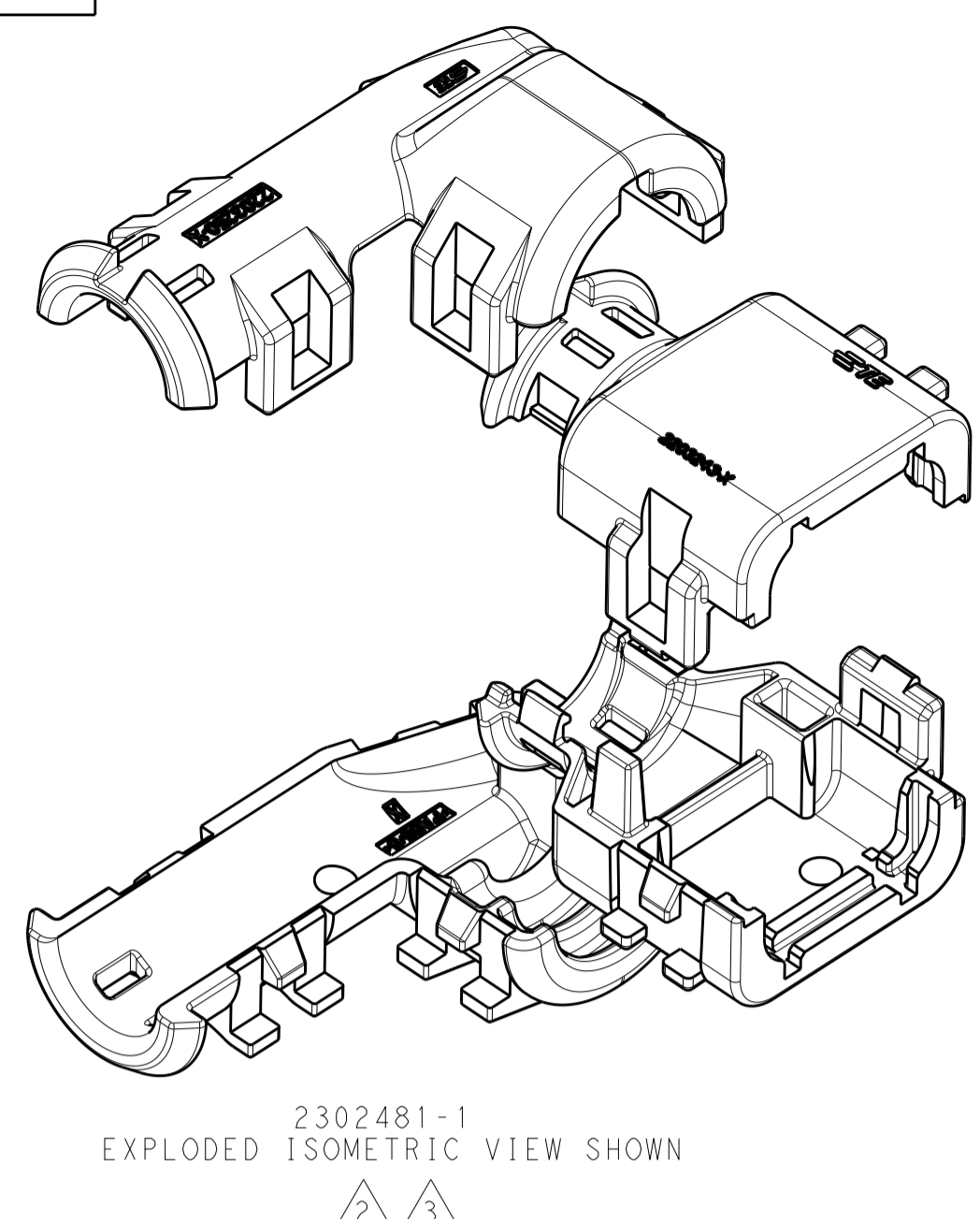
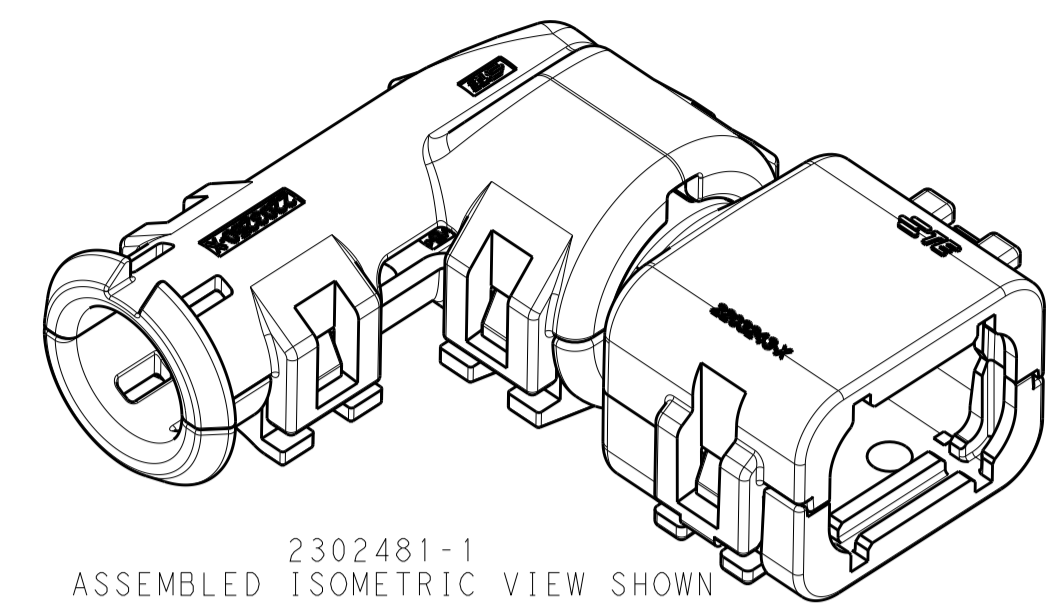
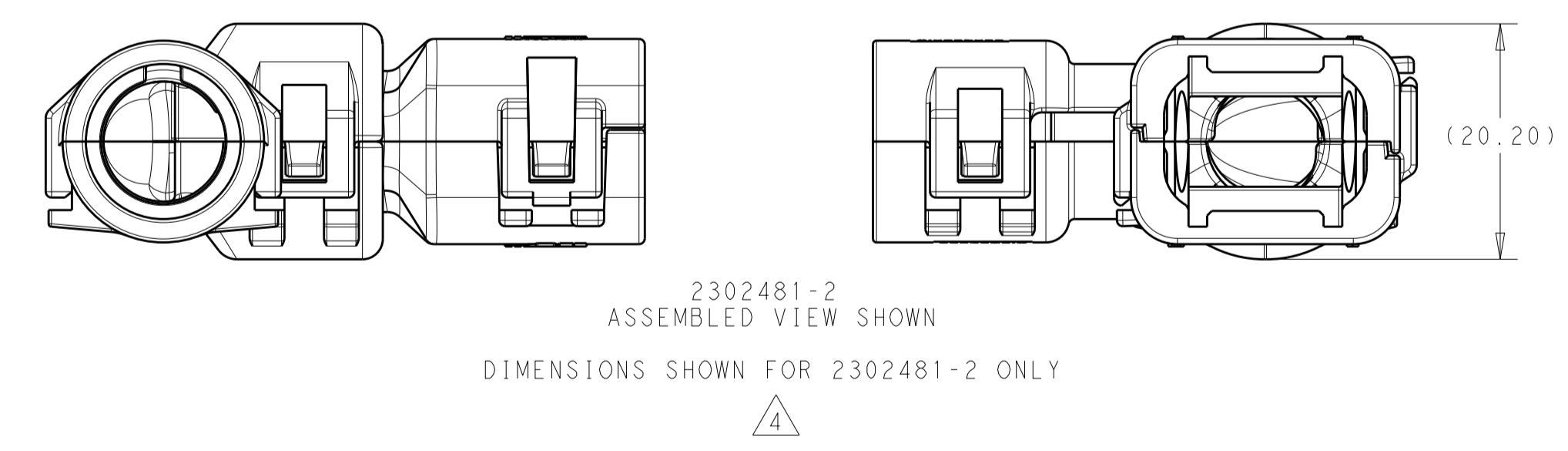
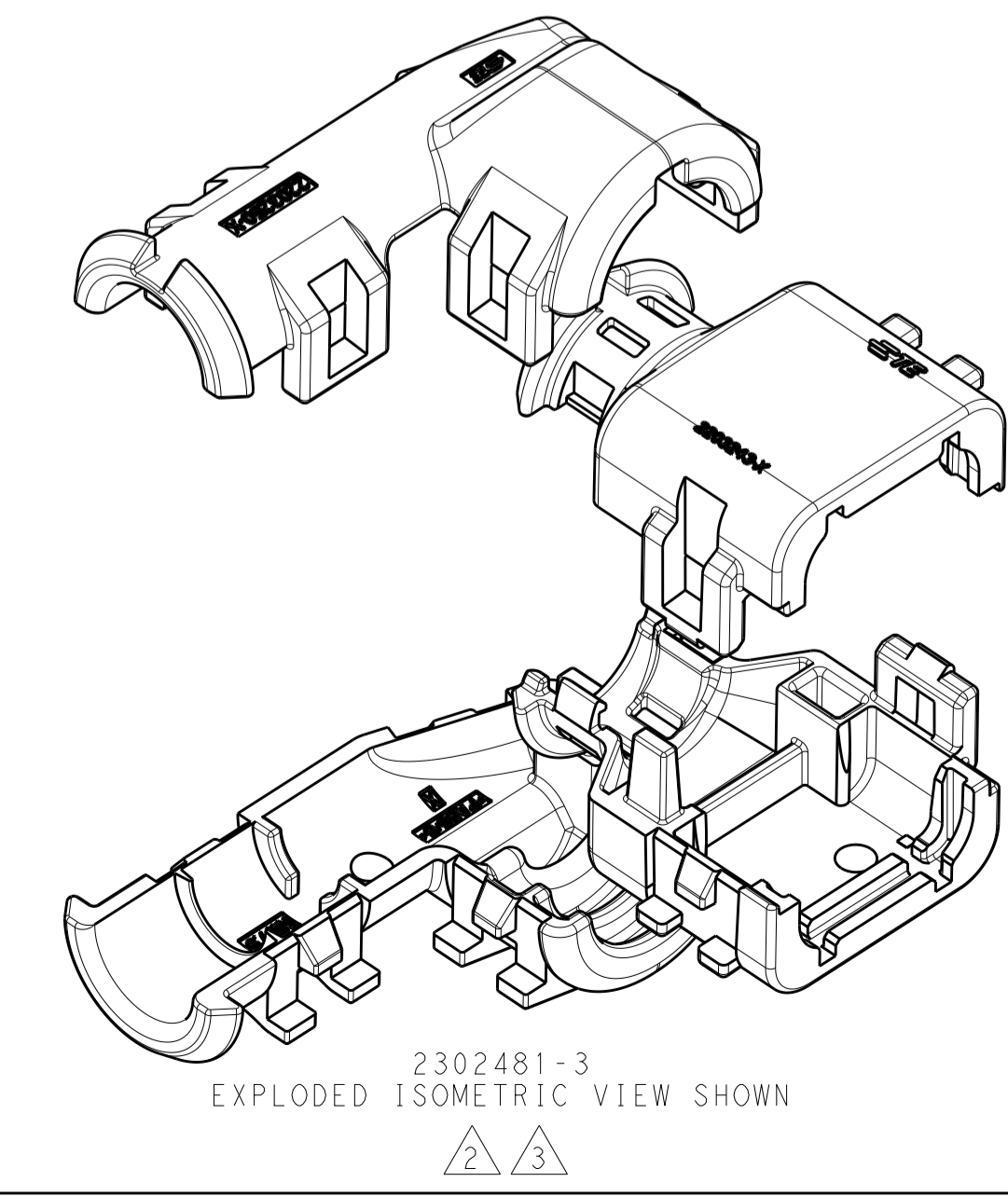
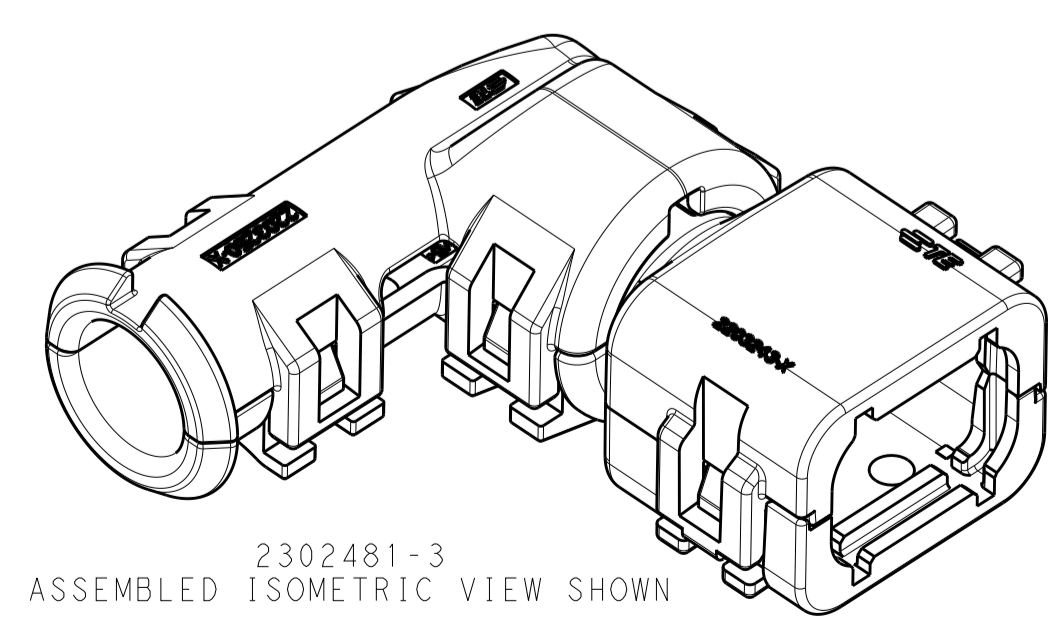
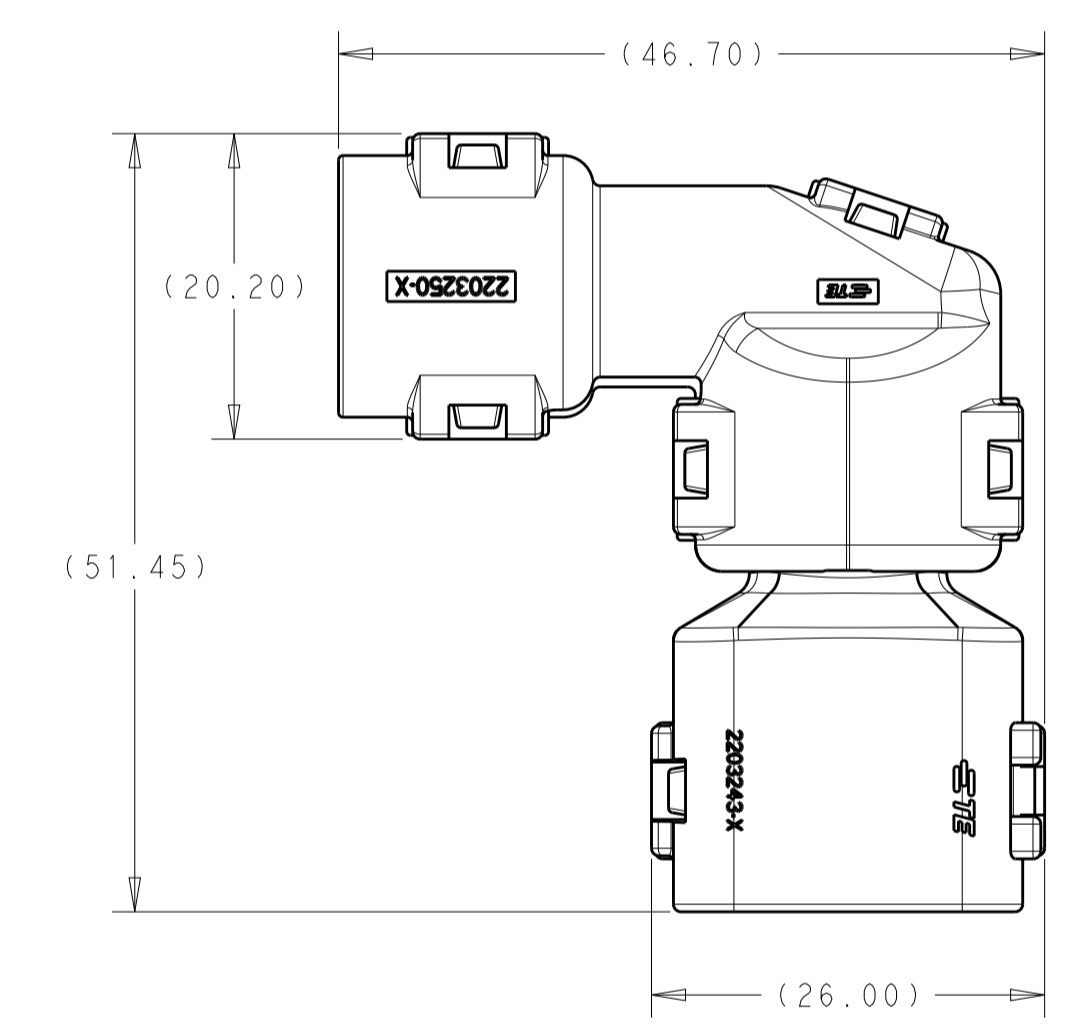
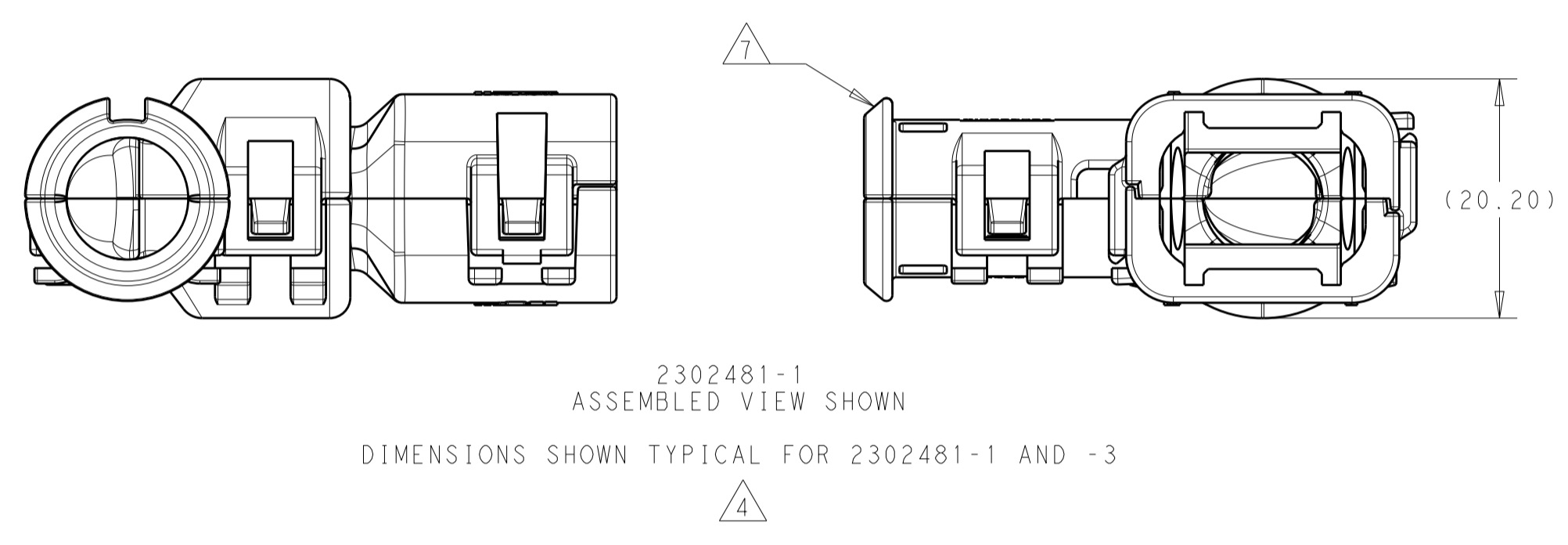
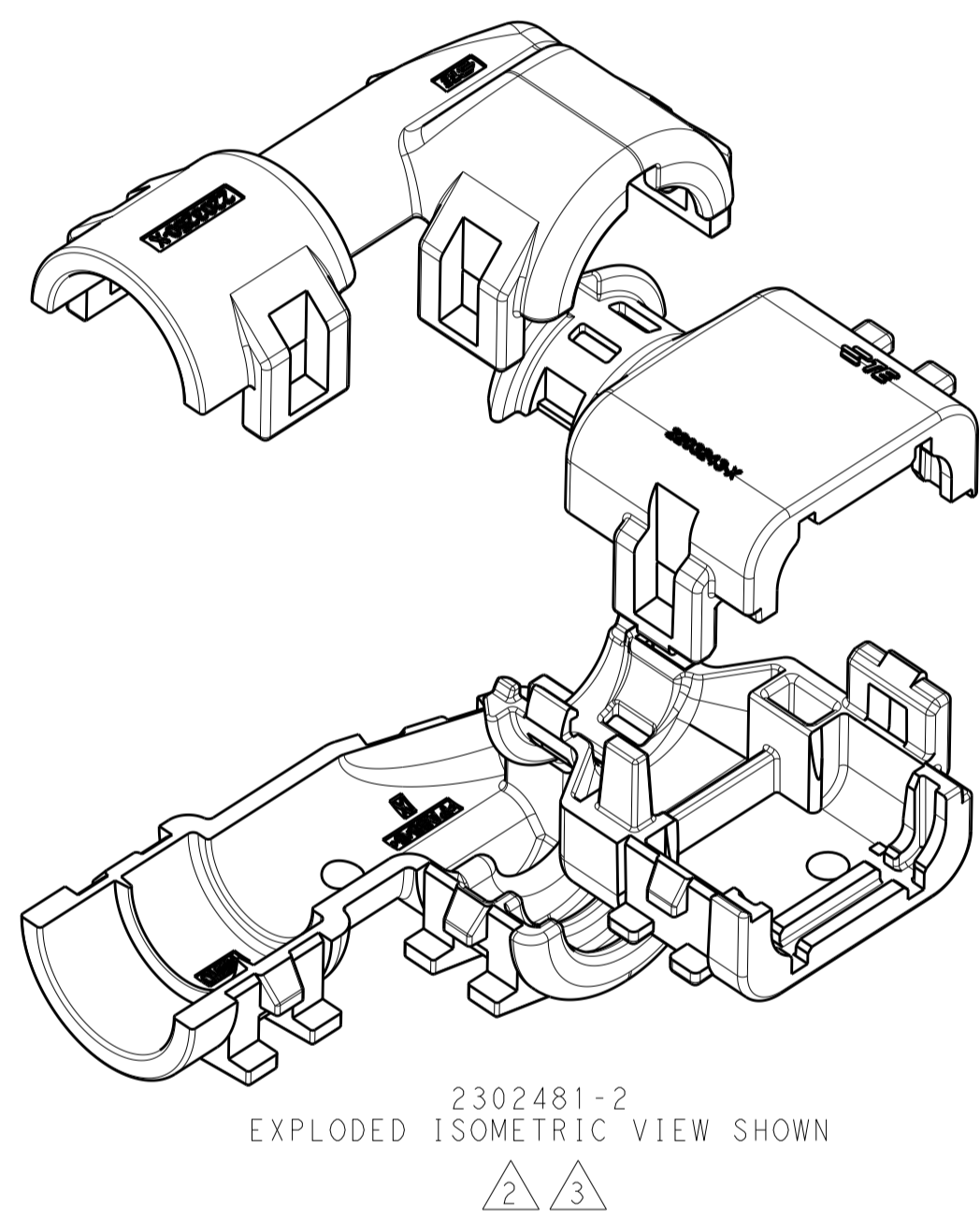
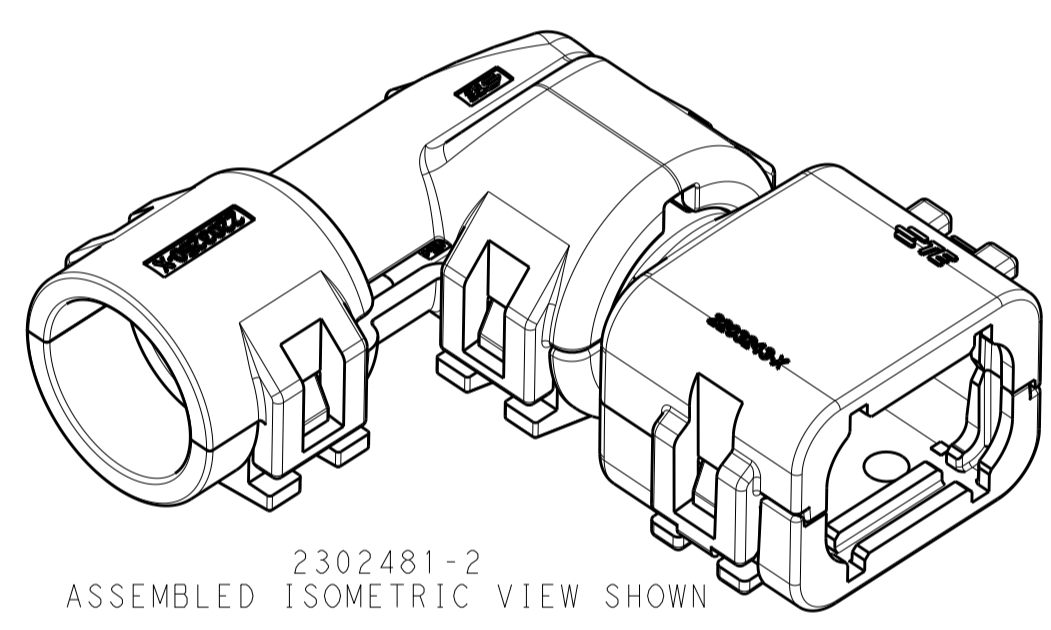


REVISIONS				
P.	LTN	DESCRIPTION	DATE	OWN APVD
A		RELEASED PER ECO-16-007279	12MAY2016	JM RB
A2		REV PER ECO-16-013256	08SEP2016	JM RB



- 1 MATERIAL: NYLON MOLDING COMPOUND, BLACK, PA66/6.
- 2 BACKSHELL DESIGNED SUCH THAT TWO HALVES ATTACH TO ONE ANOTHER AND CLAMP AROUND THE CONNECTOR COVER.
- 3 ELBOW DESIGNED SUCH THAT TWO HALVES ATTACH TO ONE ANOTHER AND CLAMP AROUND THE BACKSHELL COLLAR.
- 4 DIMENSIONS TO BE MEASURED WHEN ELBOWS AND BACKSHELLS ASSEMBLED.
- 5 PRODUCT WEIGHTS:
2302481-1: 9.45g ASSEMBLED
2302481-2: 10.10g ASSEMBLED
2302481-3: 9.55g ASSEMBLED
- 6 4mm WIDE SLOTS FOR TIE WRAP TO SECURE HARNESS WIRES (-1 ONLY).
- 7 HEAT SHRINK TUBING FEATURE (-1 AND -3 ONLY).
- 8. INSTRUCTION SHEET: 408-151043.
- 9. CONDUIT PROFILE: NORMAL ONLY.



776428-X	NC08	NW7.5	2302481-3
776534-X	NC12	NW10	2302481-2
	SMOOTH	SMOOTH	2302481-1
FITS ON CAP ASSY	CORRUGATE NC	CORRUGATE NW	PART NUMBER
	CONDUIT SIZE		

THIS DRAWING IS A CONTROLLED DOCUMENT.		OWN J. MCNEAL 26APR2016	TE Connectivity	
DIMENSIONS:		CHK R. BALTER 26APR2016	NAME	
mm	0 PLC ±	APVD R. BALTER 26APR2016	PRODUCT SPEC	
	1 PLC ±		108-151043	
	2 PLC ±		APPLICATION SPEC	
	3 PLC ±		SIZE CAGE CODE DRAWING NO	
	4 PLC ±		RESTRICTED TO	
	ANGLES ±		A100779C=2302481	
MATERIAL	FINISH	WEIGHT	SCALE SHEET OF REV	
			2:1 1 OF 1 A2	
		CUSTOMER DRAWING		

单击下面可查看定价，库存，交付和生命周期等信息

[>>TE Connectivity\(泰科\)](#)