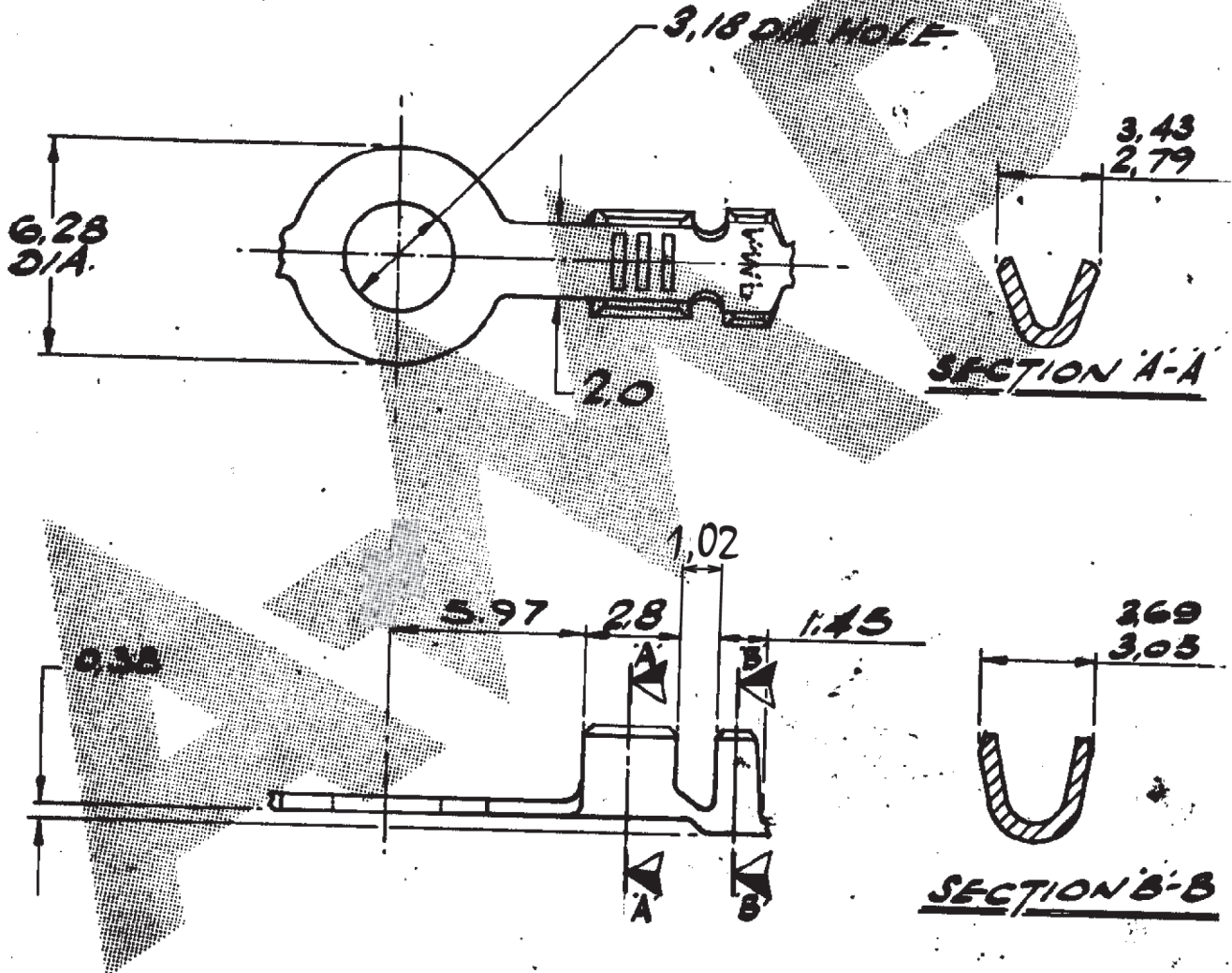


C342018

3rd ANGLE (AMERICAN) PROJECTION

DIMENSIONS IN **M.M.** DO NOT SCALE PRINT



	ELECTRO-TIN	BRASS 0.50 THICK	342018-2
OBSOLETE	NONE	BRASS 0.50 THICK	342018-1
	FINISH	MATERIAL	PART NUMBER

				© AMP of GREAT BRITAIN LTD 1983		CUSTOMER COPY REFERENCE ONLY	
				MATERIAL AND FINISH SEE ABOVE		TE Connectivity	
A1	ECR-19-017984	PC	MK	27NOV 2019	CLASS		
A	ECR-15-013234.	DC	DC	08SEP 2015	TYPE		
O	RELEASE FOR PRODUCTION	KS	-	20/1/83	WIRE - RANGE - INSULATION		
ISS	REVISION RECORD	DR	CHK	DATE	TOLERANCE EXCEPT AS NOTED ±0.5	SCALE ±1°0'	5:1
DR	C.E. SLOUGH	DE			LOC	E	NO
CHK	A. HOWARD. 12-4-83	APR		12-4-83		A	C342018
				NAME			
				24-27 DIA. TONGUE STRIP.			

单击下面可查看定价，库存，交付和生命周期等信息

[>>TE Connectivity\(泰科\)](#)