

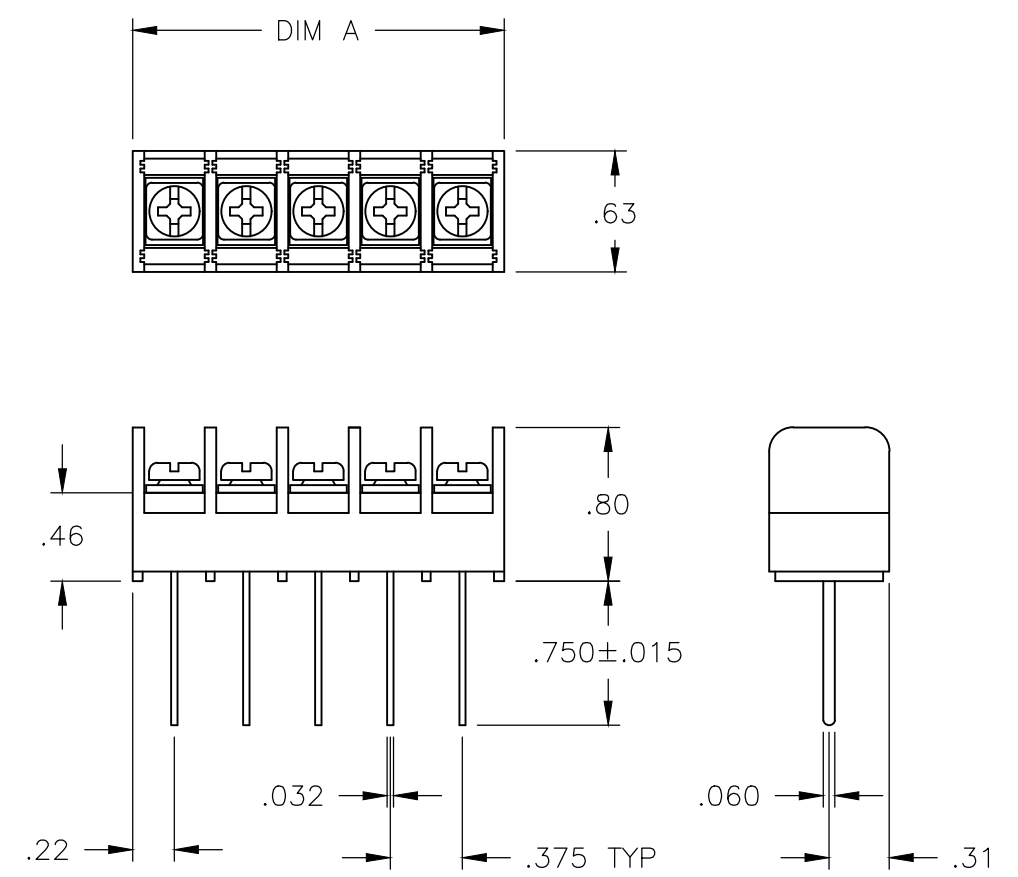
THIS DRAWING IS UNPUBLISHED. RELEASED FOR PUBLICATION  
 © COPYRIGHT - TE Connectivity Ltd. ALL RIGHTS RESERVED.

REVISIONS					
P	LTR	DESCRIPTION	DATE	DWN	APVD
	H2	PN 1776175-2 REACTIVATED	05SEP2019	RK	PS

**MATERIAL:**  
 HOUSING: THERMOPLASTIC, UL94V-0, BLACK.  
 TERMINALS: BRIGHT TIN OVER COPPER ALLOY.  
 SCREWS: #6-32 STEEL, ZINC PLATING W/ CLEAR CHROMATE.

**ELECTRICAL:**  
 RATED CURRENT UL/CSA:  
 CLASS C: 20A, 300V.  
 CLASS D: 5A, 600V.  
 WIRE RANGE: 12-22 AWG

**MECHANICAL:**  
 RECOMMENDED TORQUE: 7 IN-LB.  
 OPERATING TEMP.: 105°C MAX.



SEE FIGURE

SEE FIGURE

SEE FIGURE  
SEE FIGURE

SEE FIGURE  
SEE FIGURE

OBSOLETE	9.436	25	JC6-W108-25	3-1546703-9
	9.061	24	JC6-W108-24	3-1546703-8
	8.686	23	JC6-W108-23	3-1546703-7
	8.311	22	JC6-W108-22	3-1546703-6
	7.936	21	JC6-W108-21	3-1546703-5
	7.561	20	JC6-W108-20	3-796985-0
	7.186	19	JC6-W108-19	3-1546703-4
	6.811	18	JC6-W108-18	3-1546703-3
	6.436	17	JC6-W108-17	3-1546703-2
	6.061	16	JC6-W108-16	3-1546703-1
	5.686	15	JC6-W108-15	3-1546703-0
	5.311	14	JC6-W108-14	2-1546703-9
	4.936	13	JC6-W108-13	2-1546703-8
	4.561	12	JC6-W108-12-198	1776175-1
	4.561	12	JC6-W108-12	2-796985-9
	4.186	11	JC6-W108-11	2-1546703-7
	3.811	10	JC6-W108-10	2-1546703-6
	3.436	9	JC6-W108-09	2-1546703-5
	3.811	8	JC6-W108-08-201	1776175-4
	3.061	8	JC6-W108-08	2-1546703-4
2.686	7	JC6-W108-07	2-1546703-3	
2.311	6	JC6-W108-06-234	1776175-6	
2.311	6	JC6-W108-06-200	1776175-3	
2.311	6	JC6-W108-06	2-1546703-2	
1.936	5	JC6-W108-05-199	1776175-2	
OBSOLETE	1.936	5	JC6-W108-05	1-1437666-7
	1.561	4	JC6-W108-04	2-1546703-1
	1.186	3	JC6-W108-03-246	1776175-7
	1.186	3	JC6-W108-03-231	1776175-5
	1.186	3	JC6-W108-03	1-1437666-6
.811	2	JC6-W108-02	2-1546703-0	

SEE FIGURE

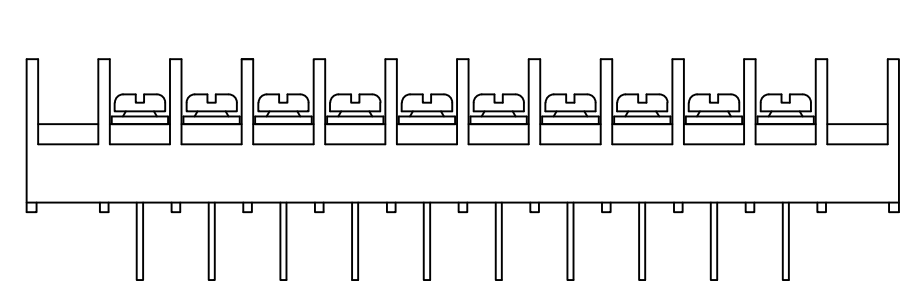
SEE FIGURE

DIM A	NO OF POS	CATALOG NUMBER	TE PART NO.
-------	-----------	----------------	-------------

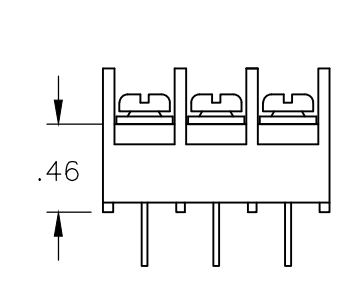
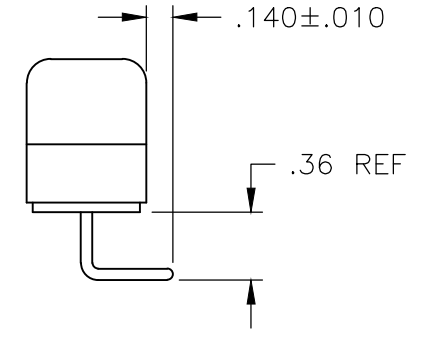
THIS DRAWING IS A CONTROLLED DOCUMENT.		DWN S SCHLEGEL 5/27/03	<b>STE</b> TE Connectivity Ltd.	
DIMENSIONS: INCHES		CHK S. YODER 5/27/03		
TOLERANCES UNLESS OTHERWISE SPECIFIED:		APVD S. YODER 5/27/03	NAME	
0 PLC ± -		PRODUCT SPEC	JC6-W108-XX ASSEMBLY	
1 PLC ± -		APPLICATION SPEC	RESTRICTED TO	
2 PLC ± .01		WEIGHT -	SIZE A3	CAGE CODE 00779
3 PLC ± .005		CUSTOMER DRAWING	DRAWING NO	RESTRICTED TO
4 PLC ± -			C-1-1437666-6	
ANGLES ± -		SCALE NTS		SHEET 1 OF 2
FINISH -		REV H2		

THIS DRAWING IS UNPUBLISHED. RELEASED FOR PUBLICATION  
 © COPYRIGHT - TE Connectivity Ltd. ALL RIGHTS RESERVED.

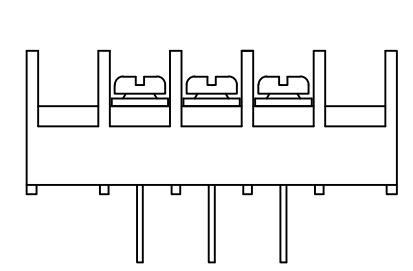
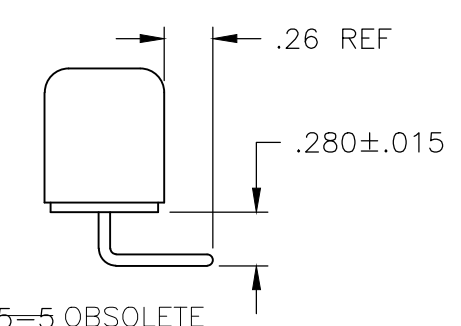
REVISIONS					
P	LTR	DESCRIPTION	DATE	DWN	APVD
-	-	SEE SHEET 1	-	-	-



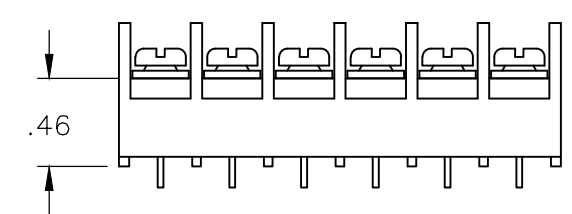
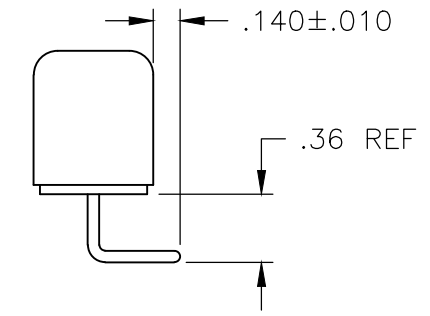
1776175-1 OBSOLETE



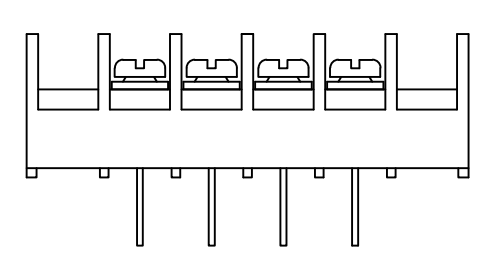
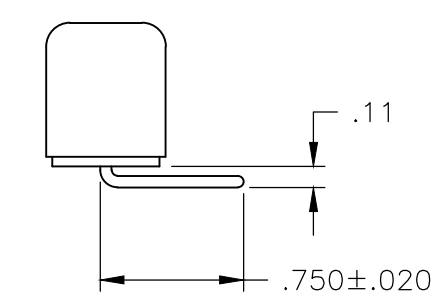
1776175-5 OBSOLETE



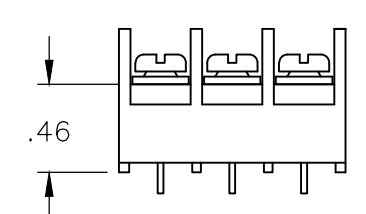
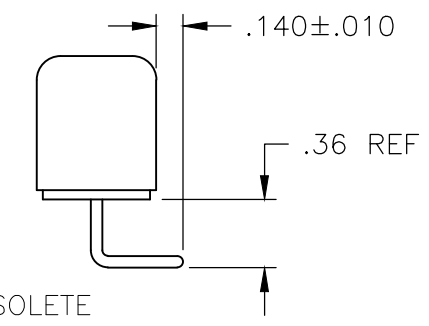
1776175-2



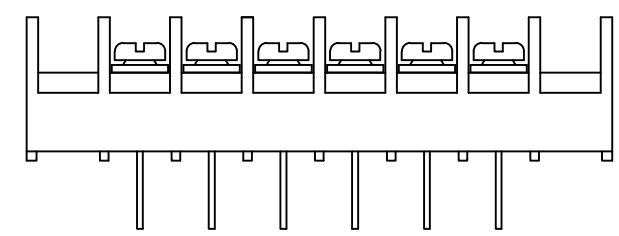
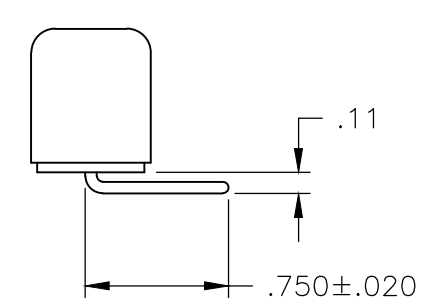
OBSOLETE 1776175-6



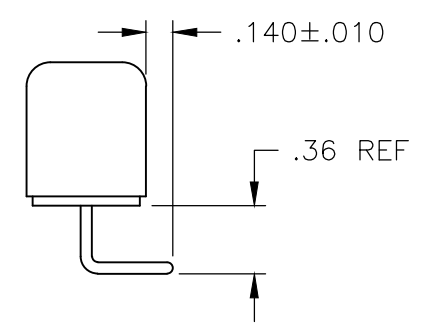
1776175-3 OBSOLETE



OBSOLETE 1776175-7



1776175-4 OBSOLETE



THIS DRAWING IS A CONTROLLED DOCUMENT.

DIMENSIONS: INCHES	TOLERANCES UNLESS OTHERWISE SPECIFIED:
	0 PLC ± -
	1 PLC ± -
	2 PLC ± .01
	3 PLC ± .005
	4 PLC ± -
	ANGLES ± - ± -
MATERIAL	FINISH
-	-

DWN	S. SCHLEGEL	5/27/03
CHK	S. YODER	5/27/03
APVD	S. YODER	5/27/03
PRODUCT SPEC	-	-
APPLICATION SPEC	-	-
WEIGHT	-	-
CUSTOMER DRAWING		



NAME			
JC6-W108-XX ASSEMBLY			
SIZE	CAGE CODE	DRAWING NO	RESTRICTED TO
A3	00779	C-1-1437666-6	-
SCALE		SHEET	REV
NTS		2 of 2	H2

单击下面可查看定价，库存，交付和生命周期等信息

[>>TE Connectivity\(泰科\)](#)