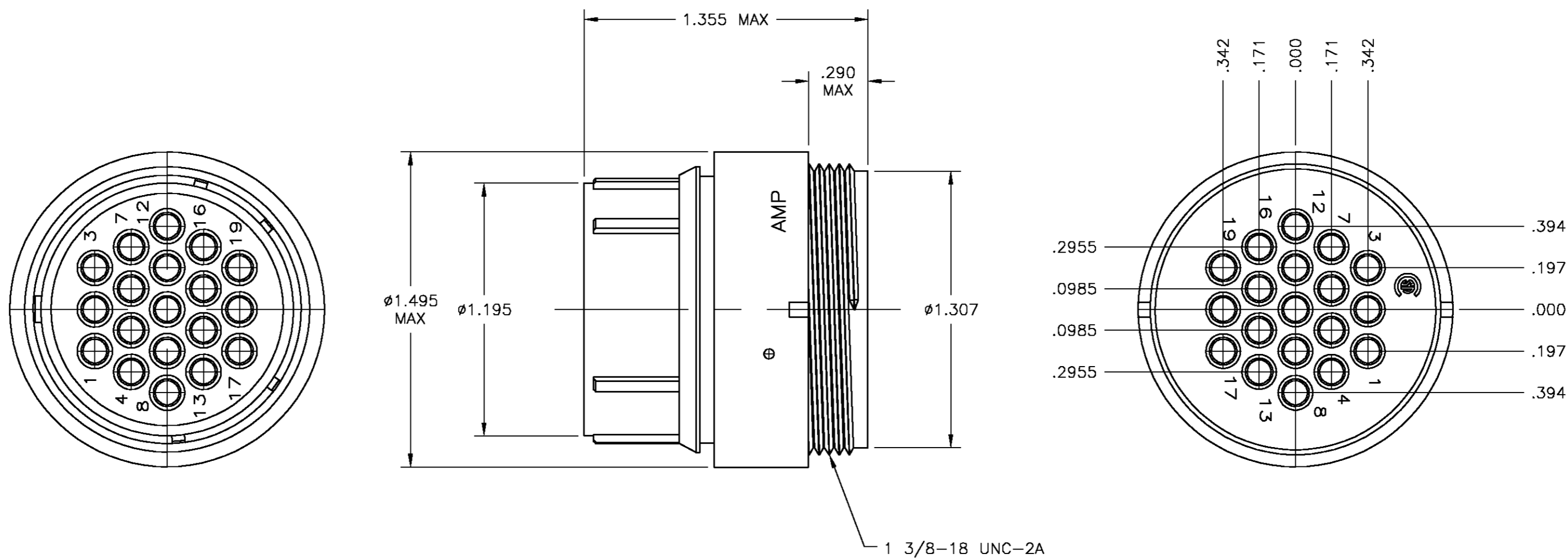


THIS DRAWING IS UNPUBLISHED. RELEASED FOR PUBLICATION
 © COPYRIGHT BY TYCO ELECTRONICS CORPORATION. ALL RIGHTS RESERVED.

LOC		DIST		REVISIONS			
P	LTR	DESCRIPTION		DATE	DWN	APVD	
FT	1	A	REVISED PER OB3B-0611-02	3/17/03	SS	SH	

NOTES:

- 1. CAVITY IDENTIFICATION NUMBERS FRONT AND REAR FACE.
- 2. NYLON, BLACK.



211777-1
 PART NUMBER

THIS DRAWING IS A CONTROLLED DOCUMENT.		DWN	S SCHLEGEL	3/17/03	Tyco Electronics Corporation Harrisburg, PA 17105			
DIMENSIONS: INCHES		CHK	S HEADER	3/17/03				
TOLERANCES UNLESS OTHERWISE SPECIFIED:		APVD	S HEADER	3/17/03				
0 PLC ± - 1 PLC ± - 2 PLC ± - 3 PLC ± .005 4 PLC ± - ANGLES ± - FINISH -		PRODUCT SPEC	NAME					PLUG HOUSING, REVERSE SEX, 23-19, CPC
MATERIAL		APPLICATION SPEC		SIZE		CAGE CODE	DRAWING NO	RESTRICTED TO
-		-		A2		00779	C=211777	-
		CUSTOMER DRAWING		SCALE		2:1	SHEET	1 OF 1
							REV	A

单击下面可查看定价，库存，交付和生命周期等信息

[>>TE Connectivity\(泰科\)](#)