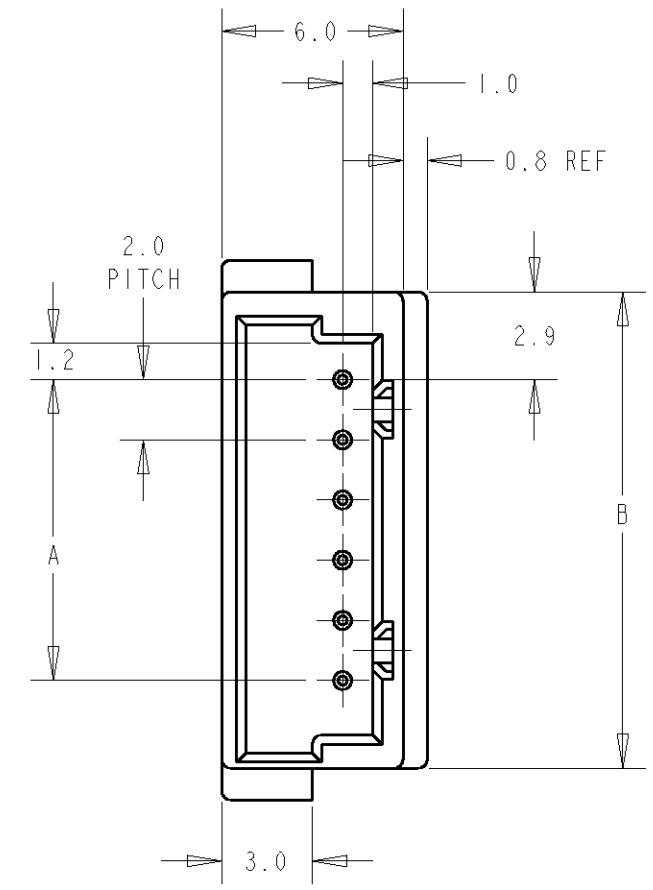
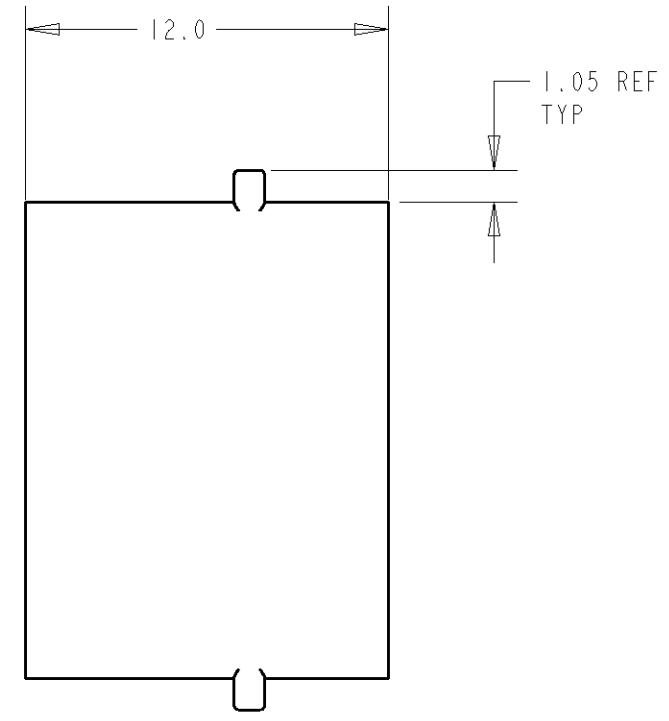
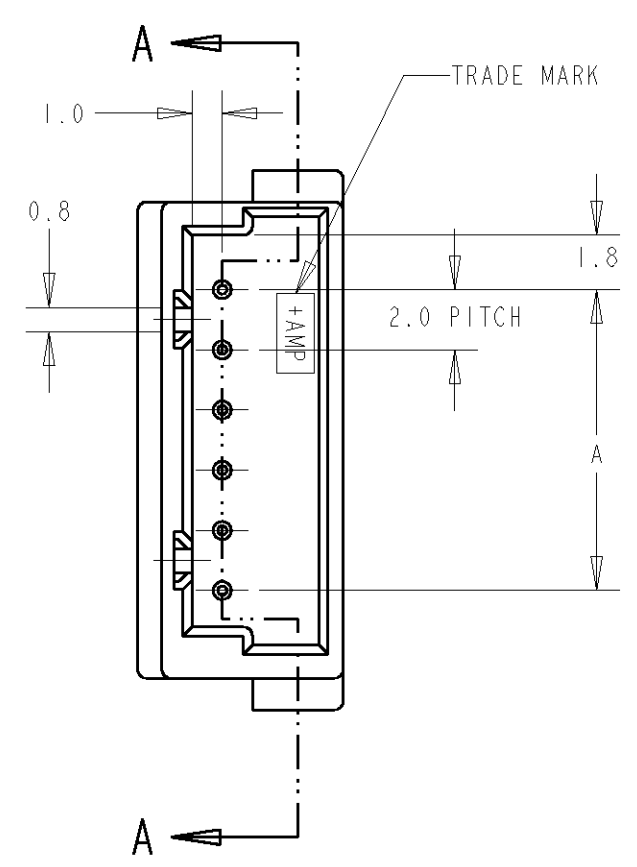
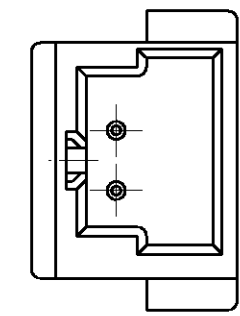
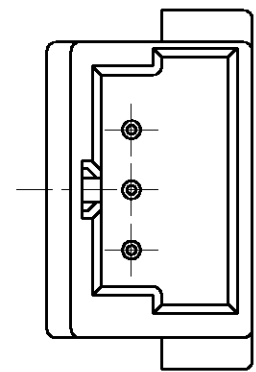
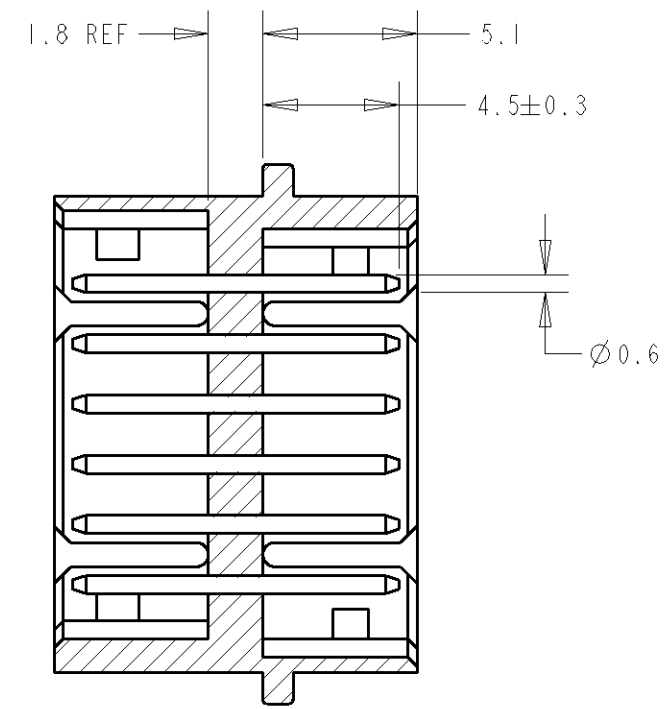


THIS DRAWING IS UNPUBLISHED. RELEASED FOR PUBLICATION .19 .
 © COPYRIGHT 19 BY AMP INCORPORATED. ALL RIGHTS RESERVED.

LOC	DIST	REVISIONS			
P	LTR	DESCRIPTION	DATE	DWN	APVD
DY	-	A	REVISED FP00-0411-02	13DEC2002	LWY TLP



NOTES:
 MATERIAL:
 HOUSING - 66 NYLON (UL94V-0),
 COLOUR - NATURAL
 POST - BRASS, GOLD PLATED



15.8	10.0	6	84814-6
11.8	6.0	4	84814-4
9.8	4.0	3	84814-3
7.8	2.0	2	84814-2
B	A	POS.	PART NO.

THIS DRAWING IS A CONTROLLED DOCUMENT FOR AMP INCORPORATED. IT IS SUBJECT TO CHANGE AND THE CONTROLLING ENGINEERING ORGANIZATION SHOULD BE CONTACTED FOR THE LATEST REVISION.		DWN WYLEE	19OCT01	AMP AMP MANUFACTURING (SINGAPORE) PTE. LTD.
DIMENSIONS: mm		CHK LP TAN	APVD WI CHOO	
TOLERANCES UNLESS OTHERWISE SPECIFIED: 0 PLC ±0.2 1 PLC ±0.25 2 PLC ±0.3 3 PLC ±0.3 4 PLC ±0.3 ANGLES ±3°		PRODUCT SPEC 108-5218		NAME FREE HANGING TYPE RELAY POST HEADER ASS'Y, GOLD PLATED (AMP CT CONNECTOR 2mm PITCH)
MATERIAL -	FINISH -	WEIGHT -		SIZE A3
CUSTOMER DRAWING		CAGE CODE 00779	DRAWING NO C-84814	SCALE 4:1
		SHEET 1 OF 1		REV A

SECTION A-A

单击下面可查看定价，库存，交付和生命周期等信息

[>>TE Connectivity\(泰科\)](#)