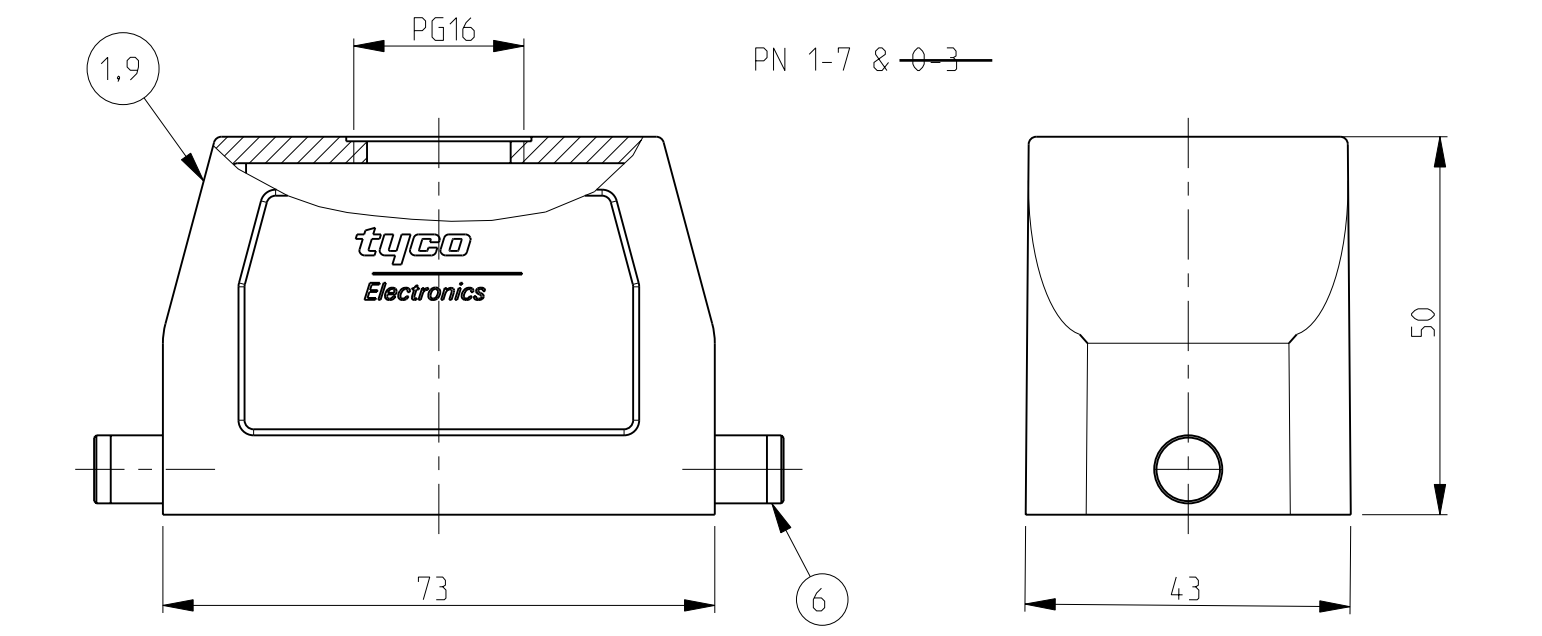
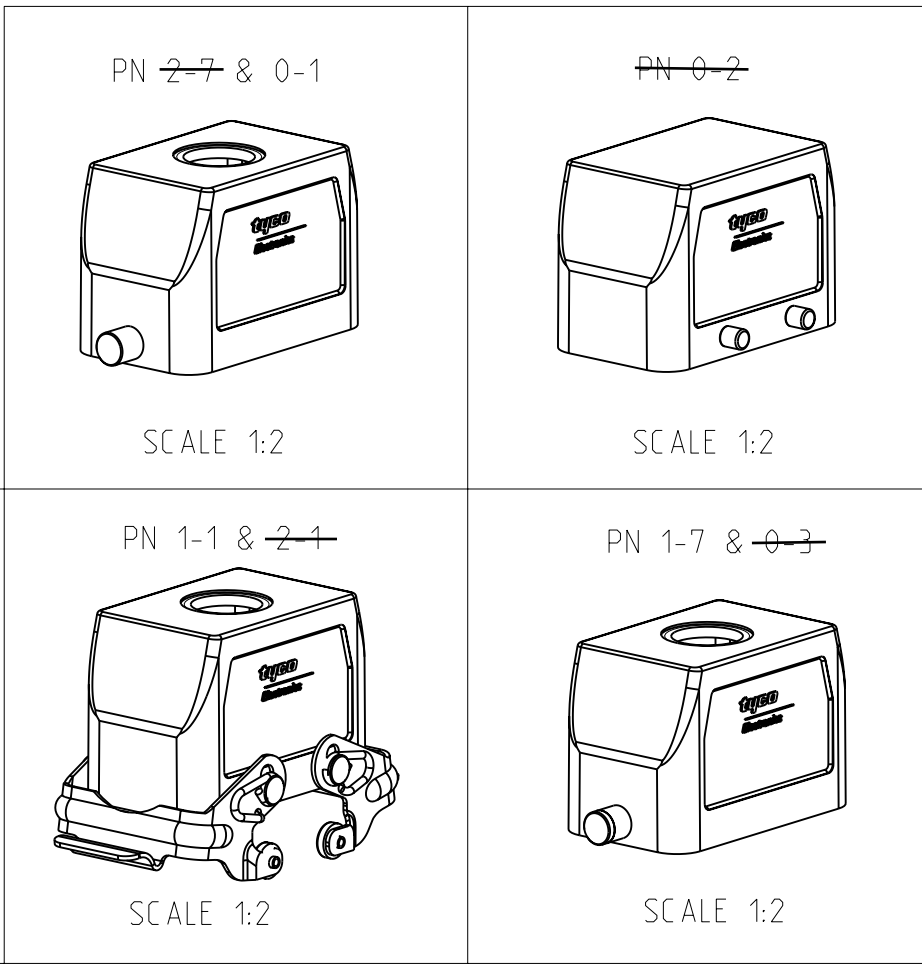
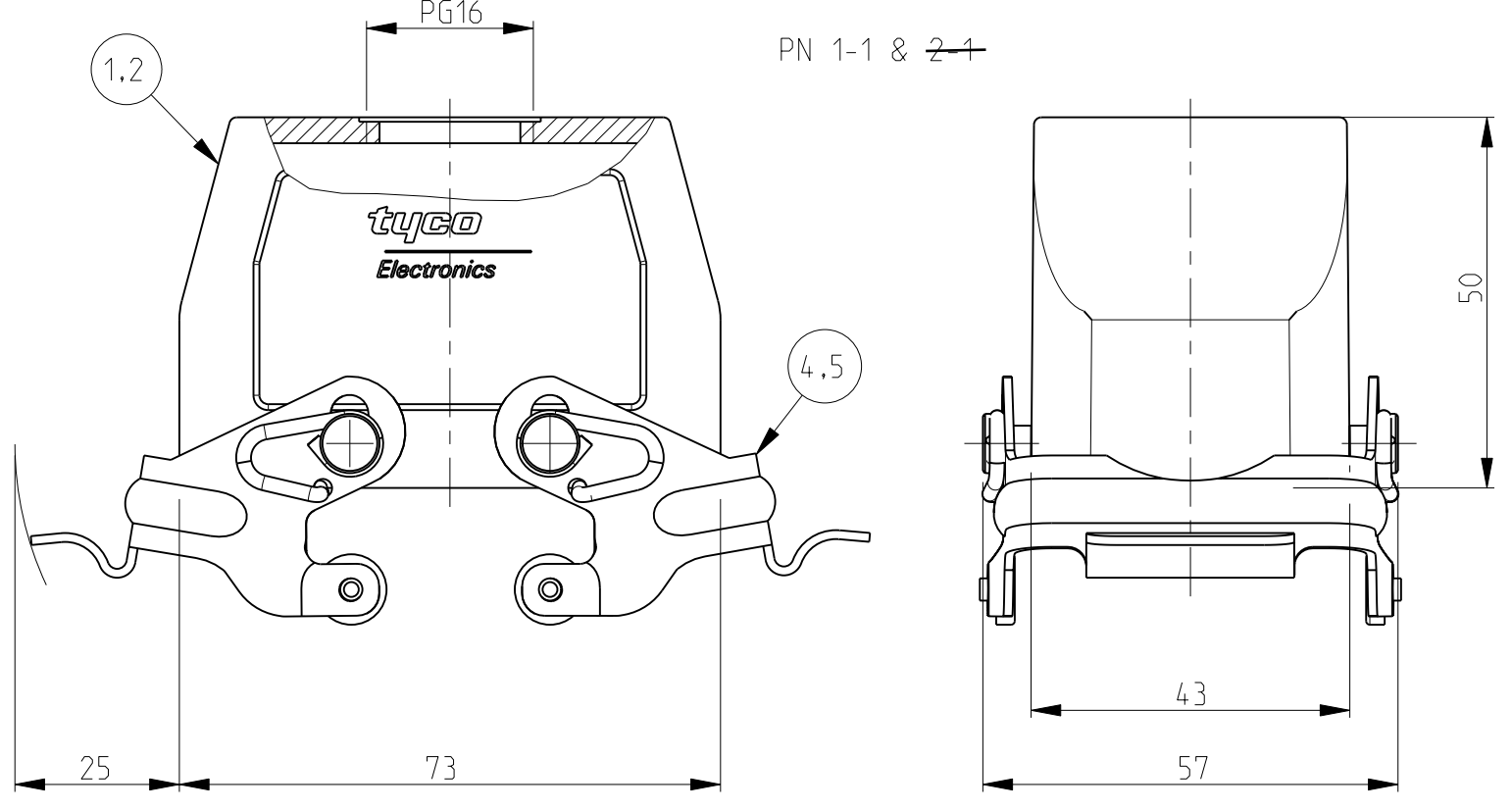
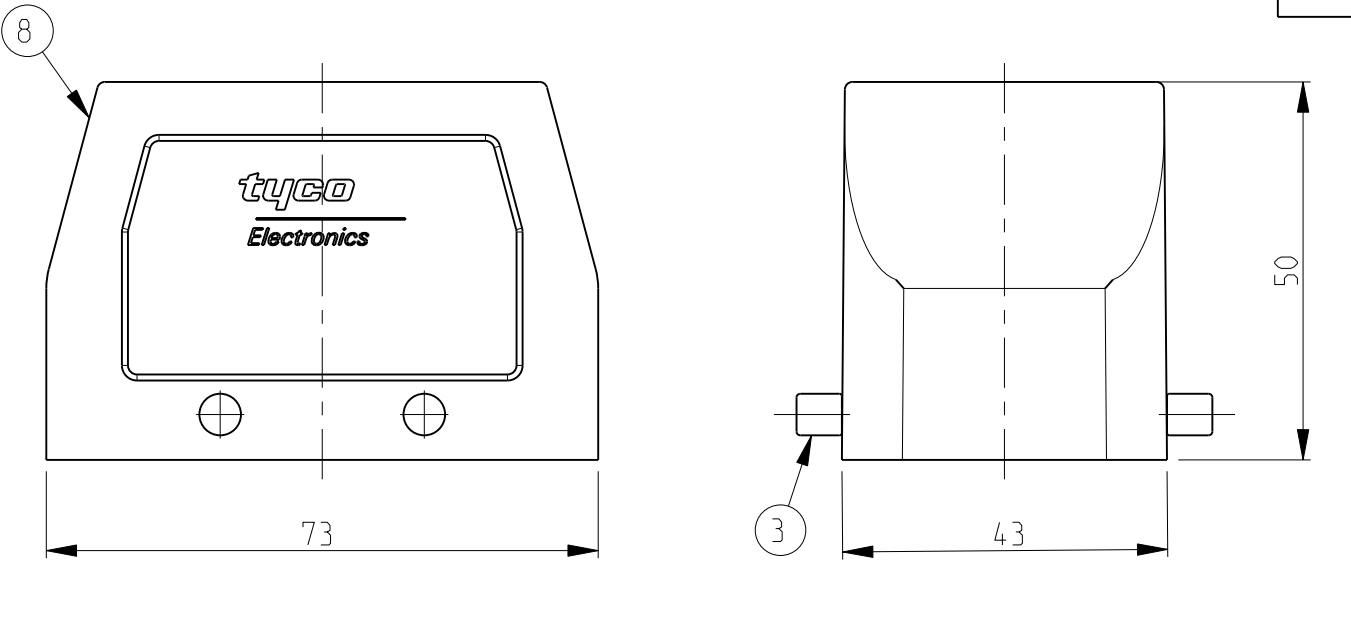
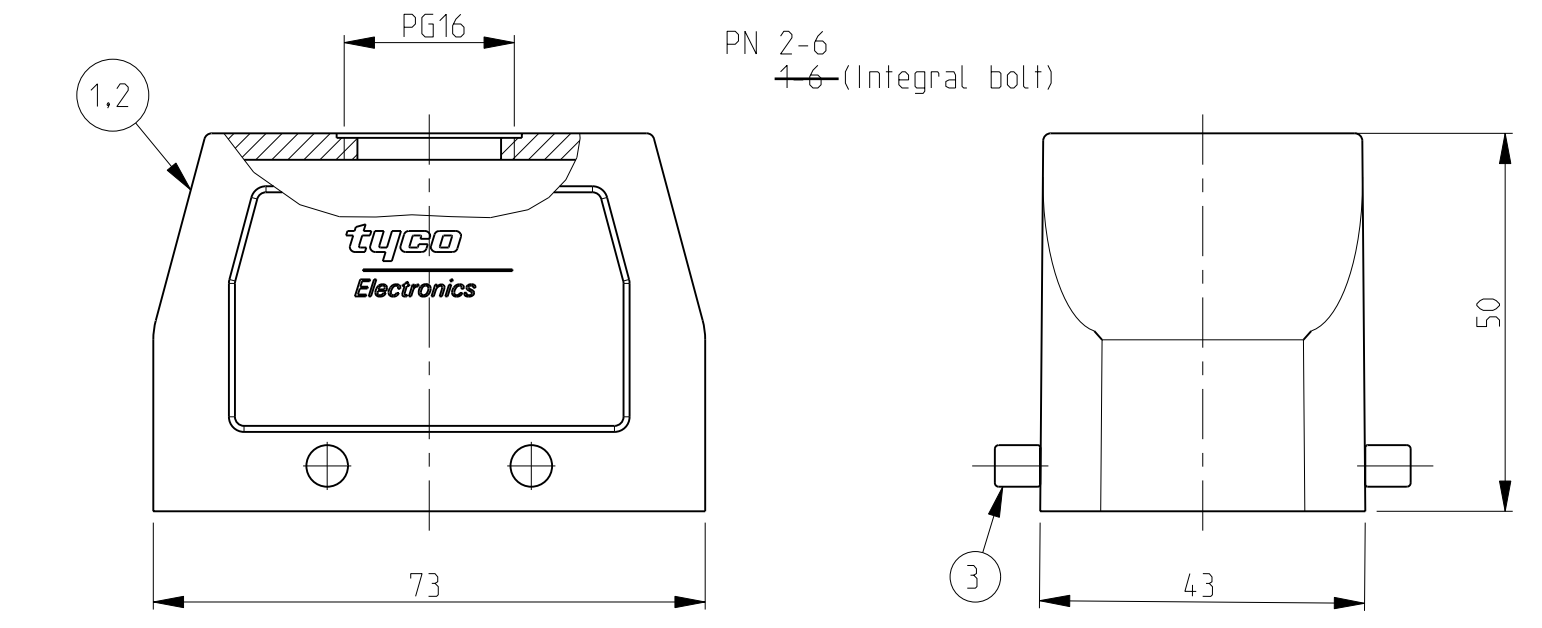


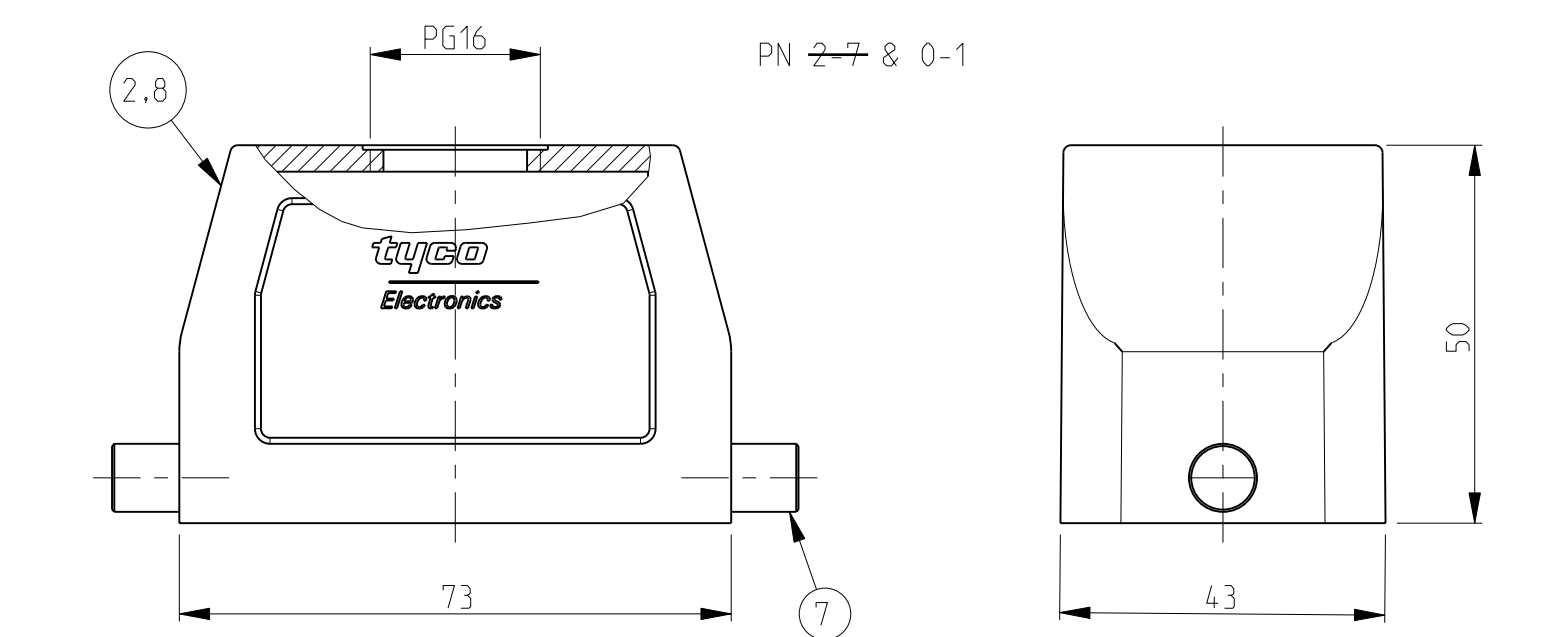
THIS DRAWING IS UNPUBLISHED. RELEASED FOR PUBLICATION .1997
 © COPYRIGHT 1997 BY TYCO ELECTRONICS CORPORATION. ALL RIGHTS RESERVED.

REVISIONS					
P	LTR	DESCRIPTION	DATE	DWN	APVD
A8	ECR-17-013084		29MAR18	SG	MKO

- NOTES.
- Material:Housing:Aluminium Diecasting Alloy
 - Surface-Powder Varnish Grey
-Aluminium Oxide +
Varnish Black
 - Varnish on the inside not necessary
 - Packaging
Quantity 5 Pieces in a box
 - Packaging
Quantity 50 Pieces in a kanban box



QTY	DESCRIPTION	MATERIAL	SURFACE	COLOR	ITEM NO	NOTES
1	HB Hood	Aluminium		Grey	9	
1	HB-K Hood	Aluminium	Aluminium oxide	Black	8	
2	LB-Clip bolt	Stainless steel	Blank		7	
2	LB-Clip bolt	Steel	Zinc plated	Blue	6	
2	VS-Locking clip	Stainless steel	Blank		5	
2	VS-Locking clip	Steel	Zinc plated	Blue	4	
4	VS-Clip bolt	Stainless steel	Blank		3	
1	HB-K Hood	Aluminium	Aluminium oxide	Black	2	
1	HB Hood	Aluminium		Grey	1	



THIS DRAWING IS A CONTROLLED DOCUMENT FOR TYCO ELECTRONICS CORPORATION IT IS SUBJECT TO CHANGE AND THE CONTROLLING ENGINEERING ORGANIZATION SHOULD BE CONTACTED FOR THE LATEST REVISION.

DWN Schneider 19.05.2001
 CHK Schweiger 19.05.2001
 APVD -
 PRODUCT SPEC -
 APPLICATION SPEC -
 WEIGHT -

TE Connectivity
 Hood HB.10

NAME: Hood HB.10
 SIZE: A2
 CAGE CODE: 00779
 DRAWING NO: C=1102267
 RESTRICTED TO: -

CUSTOMER DRAWING SCALE 1:1 SHEET 1 OF 1 REV A8

单击下面可查看定价，库存，交付和生命周期等信息

[>>TE Connectivity\(泰科\)](#)