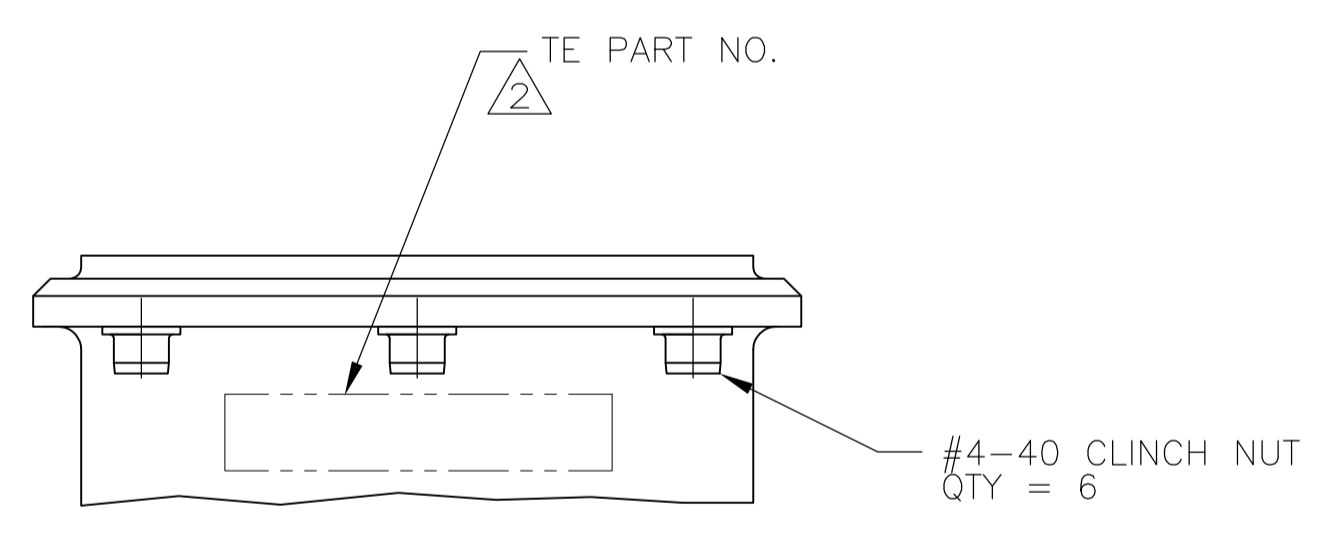
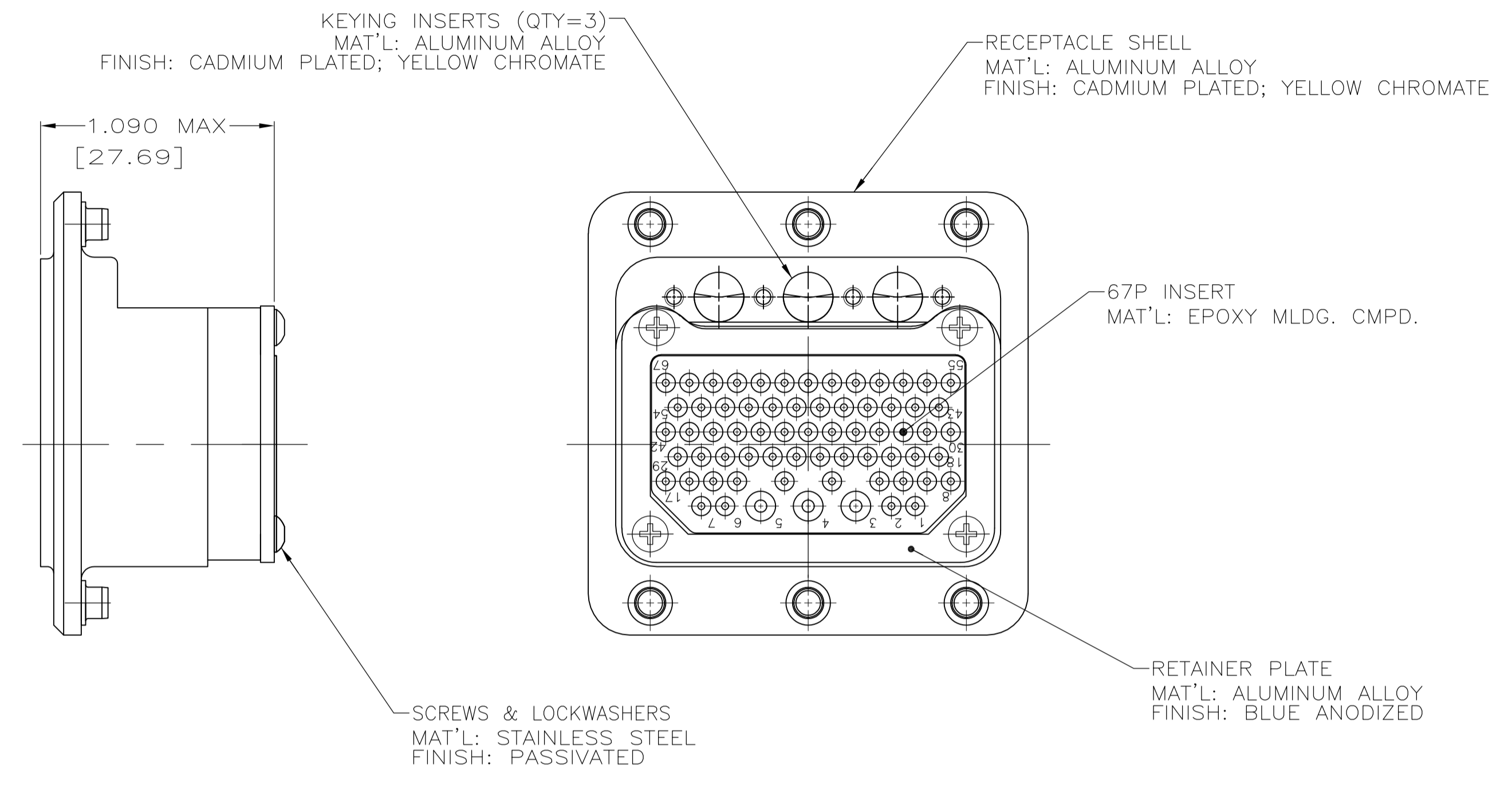
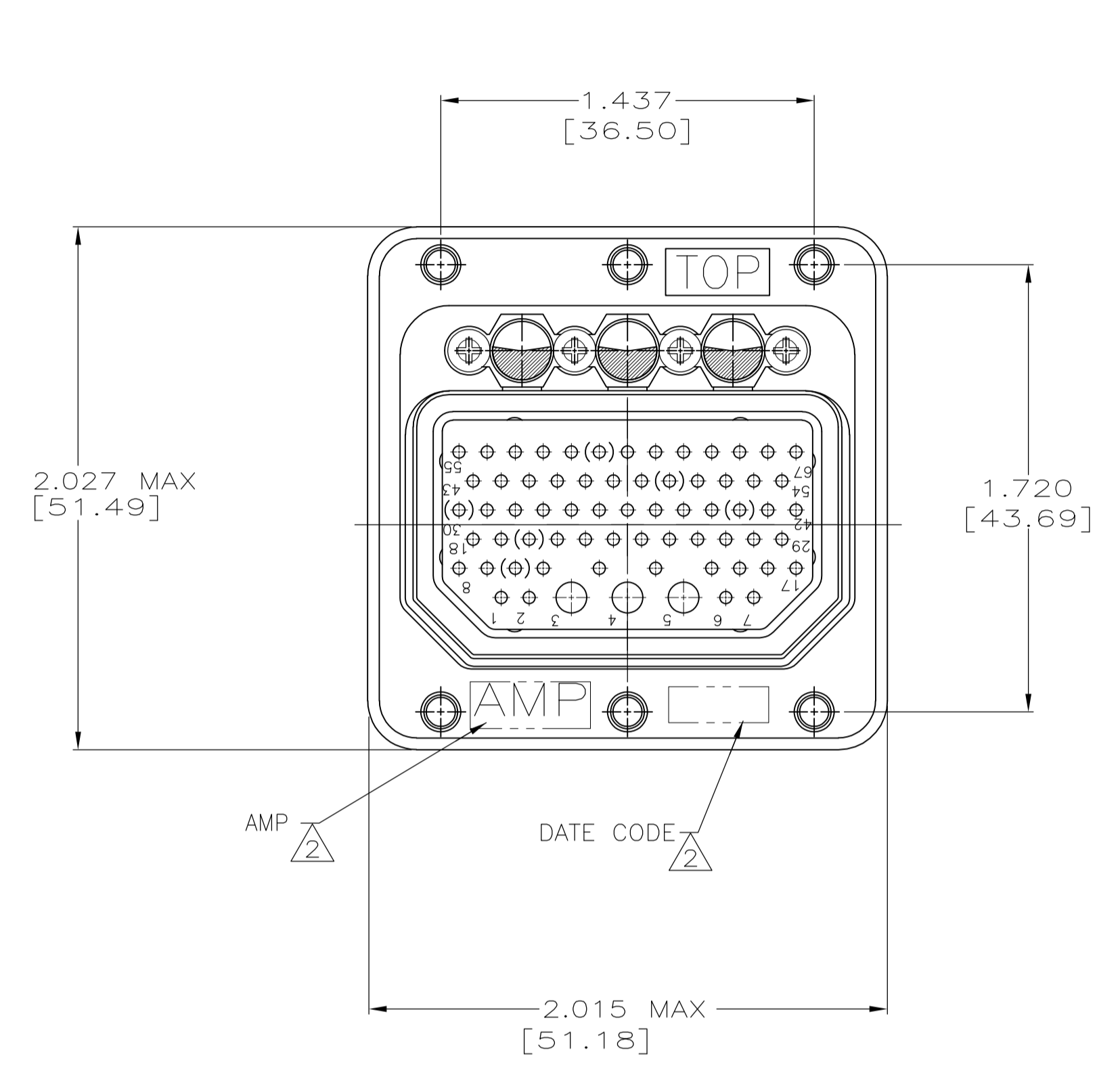


LOC		DIST		REVISIONS			
P	LTR	DESCRIPTION	DATE	DMN	APVD		
C		REVISED PER ECO-15-011840	17NOV15	RS	CT		



- KEYING ASSEMBLED IN POSITION 01.
- AMP, TE PART NO. AND DATE CODE MARKED IN AREA SHOWN.

OBSOLETE	1757249-1
	PART NUMBER

THIS DRAWING IS A CONTROLLED DOCUMENT.		DIN C.C.THOMAS 12-10-04		CIRK LARRY OH 12-10-04		APVD LARRY OH 12-10-04		NAME	
DIMENSIONS: INCHES/mm		TOLERANCES UNLESS OTHERWISE SPECIFIED:		PRODUCT SPEC		APPLICATION SPEC		SIZE	
0 PLC ± -		1 PLC ± -		2 PLC ± -		3 PLC ± .005 [0.13]		CAGE CODE	
4 PLC ± -		ANGLES ± -		MATERIAL		WEIGHT		DRAWING NO	
SEE CALLOUTS		SEE CALLOUTS		CUSTOMER DRAWING		A1 00779		1757249	
						SCALE 2:1		SHEET 1 OF 1	

单击下面可查看定价，库存，交付和生命周期等信息

[>>TE Connectivity\(泰科\)](#)