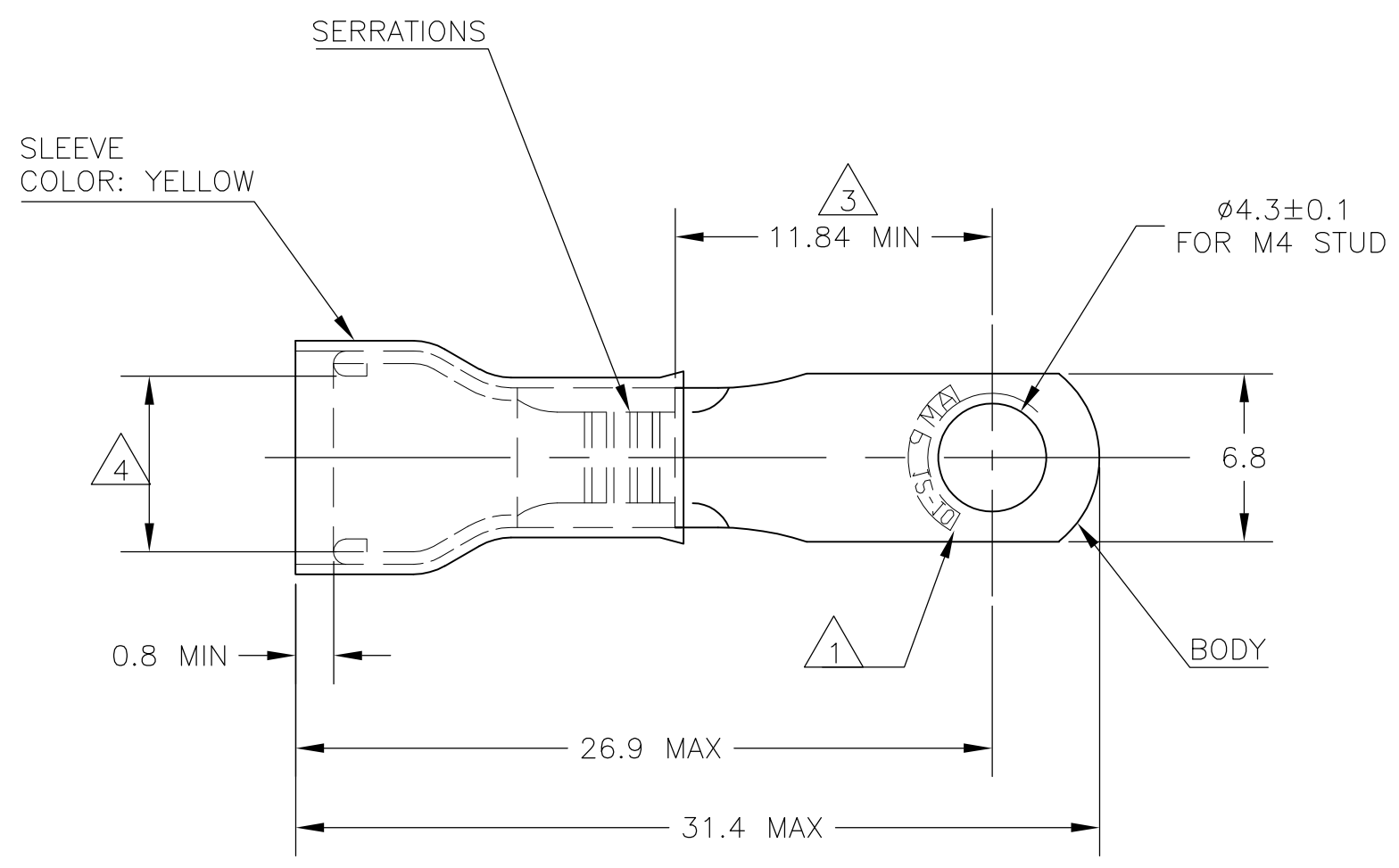


LOC	DIST	REVISIONS					
G	14	P	LTR	DESCRIPTION	DATE	DWN	APVD
			C4	REVISED PER ECO-14-012226	11AUG2014	NK	DR



- 1 STAMP "AMP 12-10", LOCATION APPROX AS SHOWN.
- 2 TONGUE THICKNESS IS 1.0±0.05.
- 3 APPLIES TO EDGE OF METAL WIRE BARREL TO CENTER OF STUD HOLE.
- 4 WIRE INSULATION DIA RANGE 3.8-6.4
- 5 BODY - COPPER PER ASTM B-152 SLEEVE - COPPER PER ASTM B-152 INSULATION - NYLON.
- 6 BODY - TIN PL PER ASTM B-545 SLEEVE - TIN PL PER ASTM B-545 INSULATION - COLOR - YELLOW.
- 7 105°C MAX OPERATING TEMPERATURE.
- 8 300 VOLT MAX.
- 9 2.62-6.64mm² [5,180 - 13,100 CMA] SOLID OR STRANDED.

500	LOOSE PIECE	130446
QTY	PACKAGE TYPE	PART NO

THIS DRAWING IS A CONTROLLED DOCUMENT.		DWN	JR RUTH	11APR07	TE Connectivity						
DIMENSIONS:		CHK	T MICHIELUTTI	11APR07				NAME TERMINAL RING TONGUE, PIDG, WIRE SIZE 12-10			
mm		APVD	T MICHIELUTTI	11APR07							
TOLERANCES UNLESS OTHERWISE SPECIFIED: 0 PLC ± - 1 PLC ± 0.2 2 PLC ± - 3 PLC ± - 4 PLC ± - ANGLES ± 5°		PRODUCT SPEC		SIZE			RESTRICTED TO				
MATERIAL		FINISH		APPLICATION SPEC		SIZE	CAGE CODE	DRAWING NO	RESTRICTED TO		
5		6		-		A3	00779	C-130446	-		
CUSTOMER DRAWING						SCALE	4:1	SHEET	1 OF 1	REV	C4

单击下面可查看定价，库存，交付和生命周期等信息

[>>TE Connectivity\(泰科\)](#)