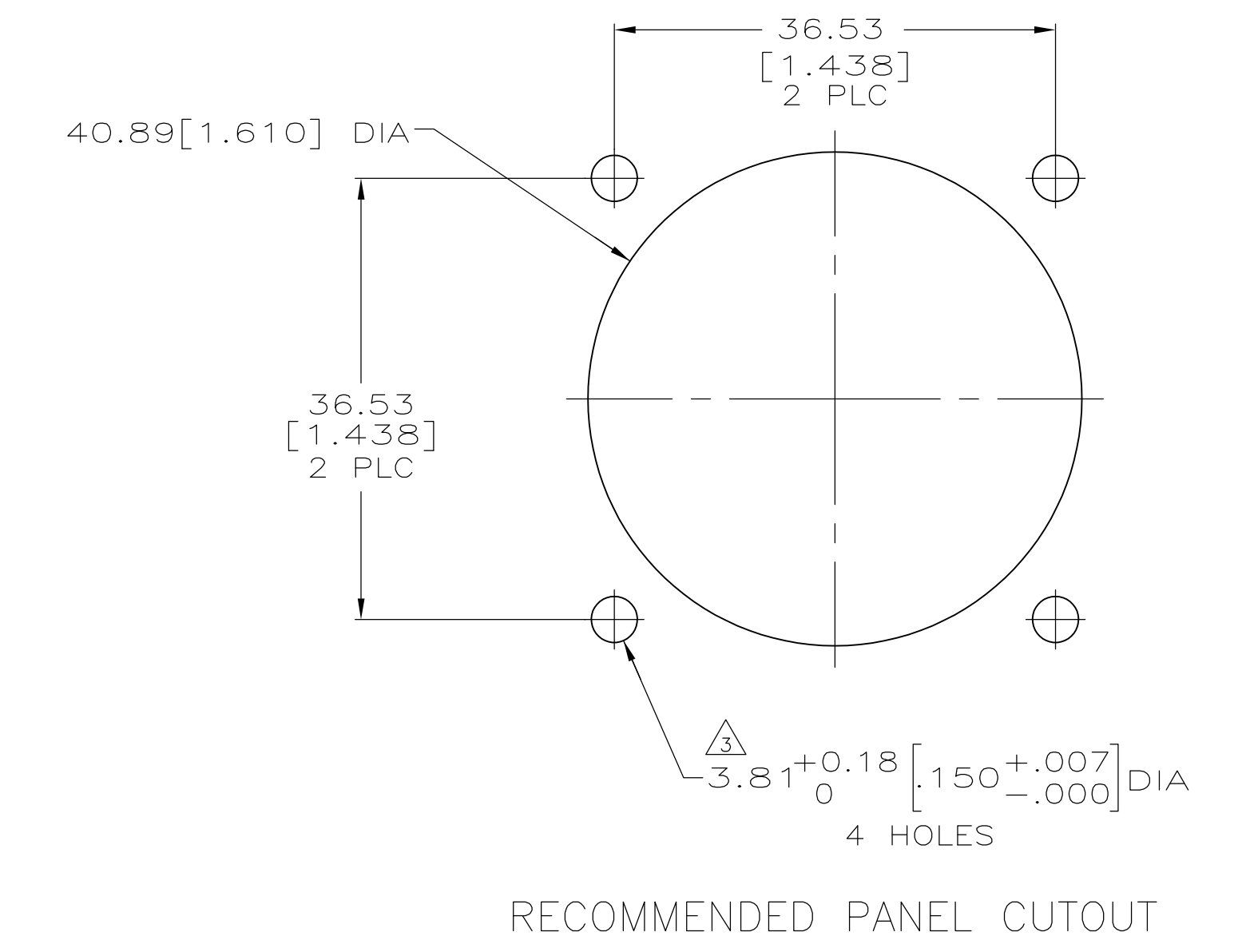
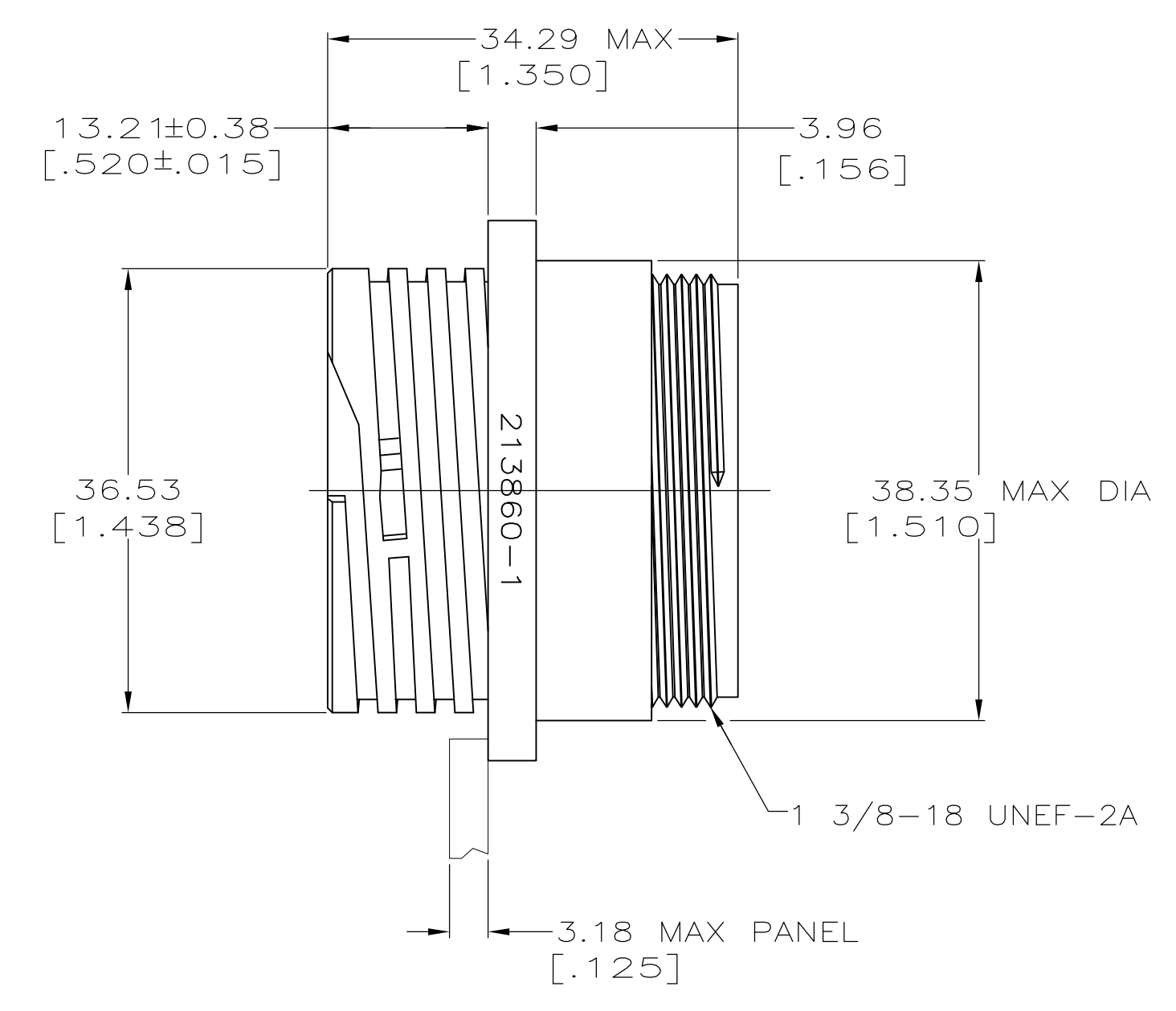
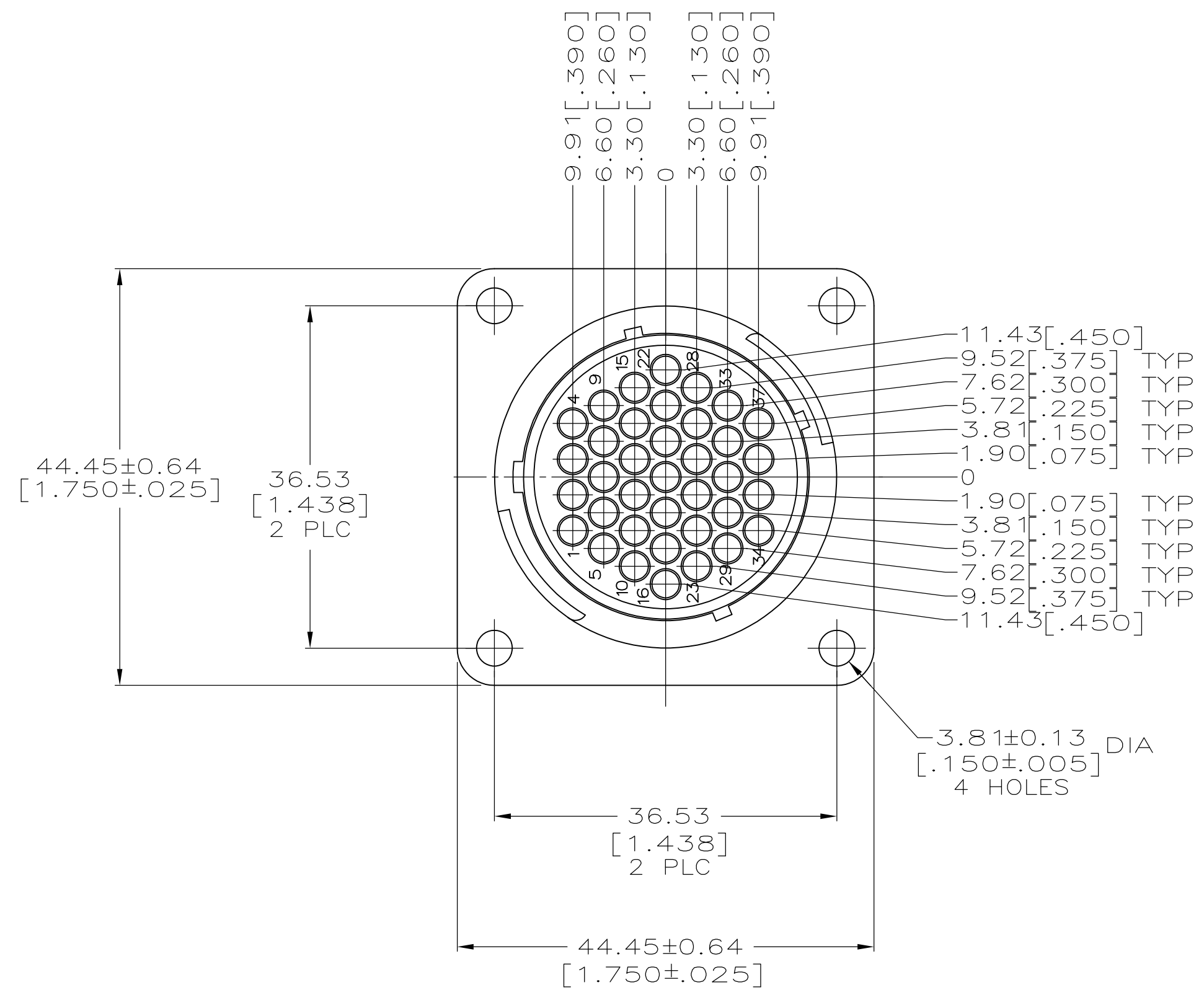


LOC		DIST		REVISIONS			
REV	DATE	BY	CHK	DESCRIPTION	DATE	DMN	APVD
BD	35	A		REVISED PER ECO-12-015521	28SEP12	KH	MZ

- 1 CAVITY IDENTIFICATION ON FRONT AND REAR FACE.
- 2 WILL ACCEPT THIRTY-SEVEN (37) MULTIMATE PIN CONTACTS.
- 3 NO 4 FASTENER RECOMMENDED FOR MOUNTING.



213860-1  
PART NUMBER

THIS DRAWING IS A CONTROLLED DOCUMENT.		DIN	K.FOLTZ	12/20/94	TE Connectivity
DIMENSIONS: mm(INCHES)		CHK	R.STONE	01/05/95	
TOLERANCES UNLESS OTHERWISE SPECIFIED:		APVD	T.COULSON	01/05/95	NAME
0 PLC	± -	PRODUCT SPEC		RECEPTACLE HOUSING, STANDARD SEX, SIZE 23, CPC	
1 PLC	± -	APPLICATION SPEC		108-10024	
2 PLC	± 0.25 [.010]	MATERIAL		NYLON, BLACK	
3 PLC	± -	FINISH		-	
4 PLC	± -	WEIGHT		-	
ANGLES	± -	CUSTOMER DRAWING		SCALE 2:1 SHEET 1 OF 1 REV A	

单击下面可查看定价，库存，交付和生命周期等信息

[>>TE Connectivity\(泰科\)](#)