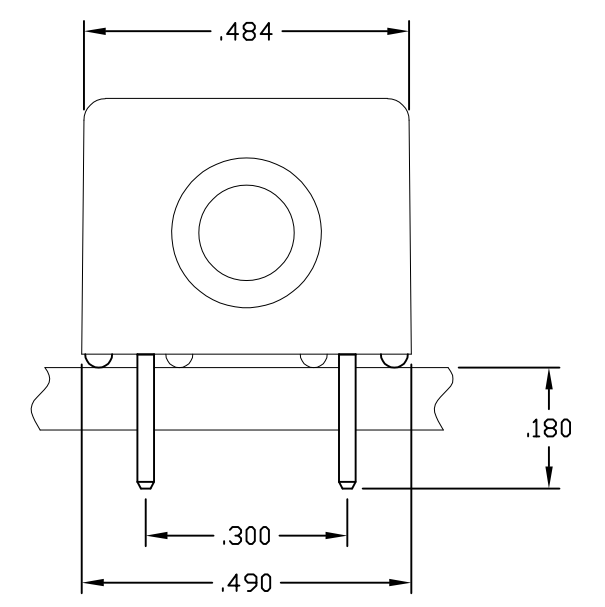
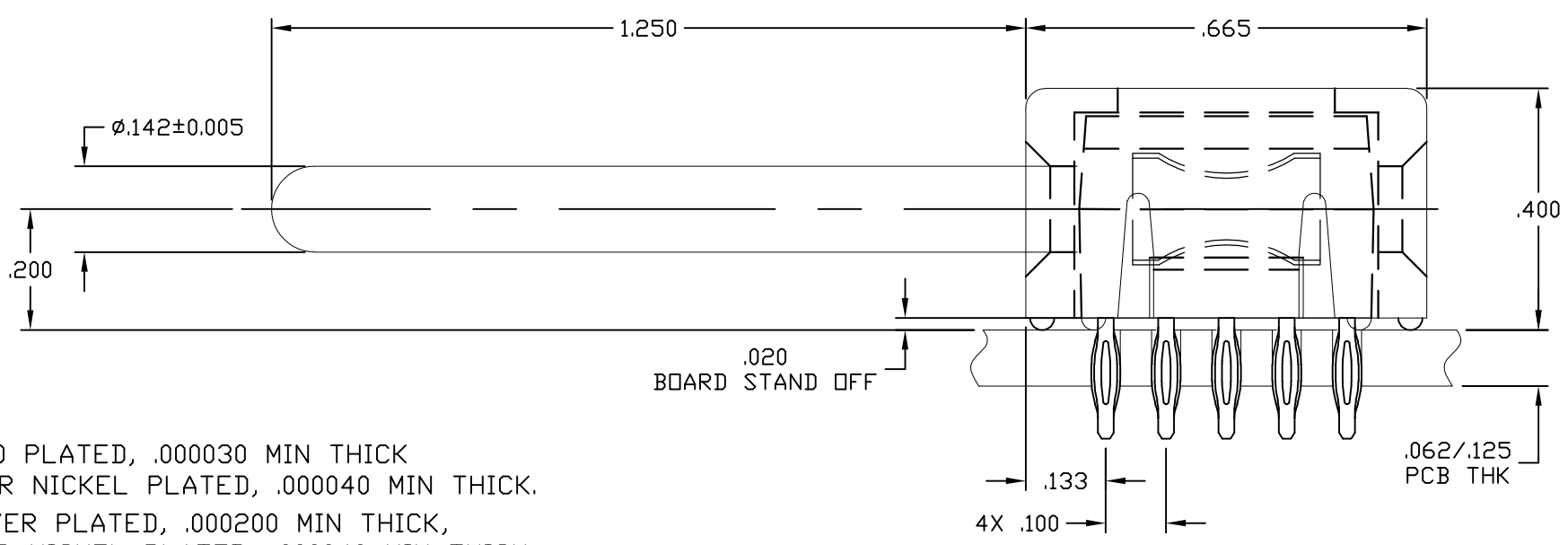
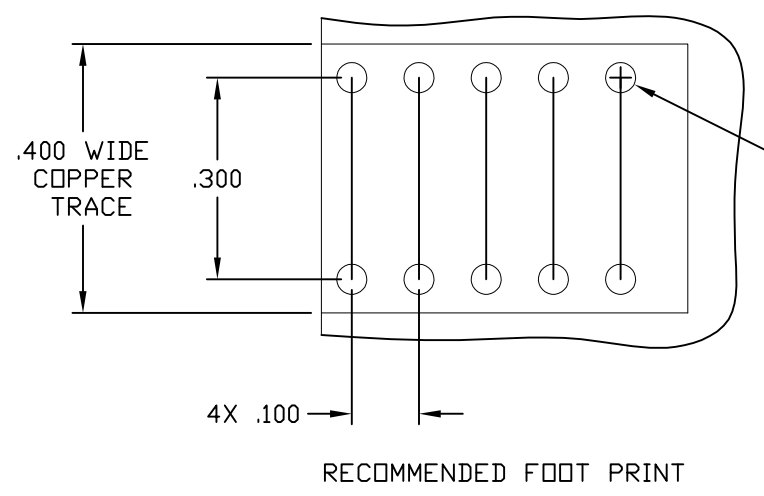


THIS DRAWING IS UNPUBLISHED. RELEASED FOR PUBLICATION
 © COPYRIGHT - By - ALL RIGHTS RESERVED.

LOC	DIST	REVISIONS					
GP	00	P	LTR	DESCRIPTION	DATE	DWN	APVD
			C	REV PER ECO-11-007678	11JUL2011	RG	DO



4. FINISHES:
 CROWN: GOLD PLATED, .000030 MIN THICK
 OVER NICKEL PLATED, .000040 MIN THICK.
 INSERT: SILVER PLATED, .000200 MIN THICK,
 OVER NICKEL PLATED, .000040 MIN THICK.
 COMPLIANT TAIL: SILVER PLATED, .000200 MIN THICK,
 OVER NICKEL PLATED, .000040 MIN THICK.
 CONTACT: SILVER PLATED, .000200 MIN THICK,
 OVER NICKEL PLATED, .000040 MIN THICK.
3. MATERIALS:
 HOUSING: THERMOPLASTIC, GLASS REINFORCED, COLOR-BLACK
 UL94V-0 FLAMMABILITY RATED
 CROWN: COPPER ALLOY
 INSERT: ZINC ALLOY, CASTING
 CONTACT: BRASS ALLOY
 COMPLIANT TAIL: PHOSPHOR BRONZE ALLOY

5. FOR APPLICATIONS UTILIZING AN IMMERSION SILVER PLATED PCB.
 CONSULT TYCO ENGINEERING.

6643445-1
 PART NUMBER

2. ITEMS PROVIDED TO THIS SPECIFICATION SHALL BE IDENTIFIED
 ON THE CONTAINER WITH THE FOLLOWING INFORMATION:
 PART NUMBER & DATE CODE OF MANUFACTURE.
1. PART NUMBER CHANGES AND OR DESIGN CHANGES AFFECTING ITEM
 INTERCHANGEABILITY REQUIRE PRIOR TE APPROVAL AND
 AUTHORIZATION BY REVISION TO THIS DRAWING.

THIS DRAWING IS A CONTROLLED DOCUMENT.		DWN	12JAN2011	TE Connectivity																
		HA/GRZYBOWSKI	-																	
DIMENSIONS: INCHES		CHK	ORRIS	NAME																
TOLERANCES UNLESS OTHERWISE SPECIFIED:		APVD	12JAN2011	ICCON, PIN, SIZE No.8, PARALLEL COMPLIANT TAIL, 10 PIN FOOT PRINT NON LOCKING STYLE, 1.250 PIN EXT.																
<table border="1"> <tr><td>0 PLC</td><td>± -</td></tr> <tr><td>1 PLC</td><td>± -</td></tr> <tr><td>2 PLC</td><td>± .02</td></tr> <tr><td>3 PLC</td><td>± .010</td></tr> <tr><td>4 PLC</td><td>± -</td></tr> <tr><td>ANGLES</td><td>± .5</td></tr> </table>		0 PLC	± -	1 PLC	± -	2 PLC	± .02	3 PLC	± .010	4 PLC	± -	ANGLES	± .5	PRODUCT SPEC		SIZE		CAGE CODE	DRAWING NO	RESTRICTED TO
0 PLC	± -																			
1 PLC	± -																			
2 PLC	± .02																			
3 PLC	± .010																			
4 PLC	± -																			
ANGLES	± .5																			
MATERIAL		APPLICATION SPEC		A3		00779	C-6643445	-												
		WEIGHT		CUSTOMER DRAWING		SCALE	SHEET	REV												
						4:1	1 OF 1	C												

单击下面可查看定价，库存，交付和生命周期等信息

[>>TE Connectivity\(泰科\)](#)