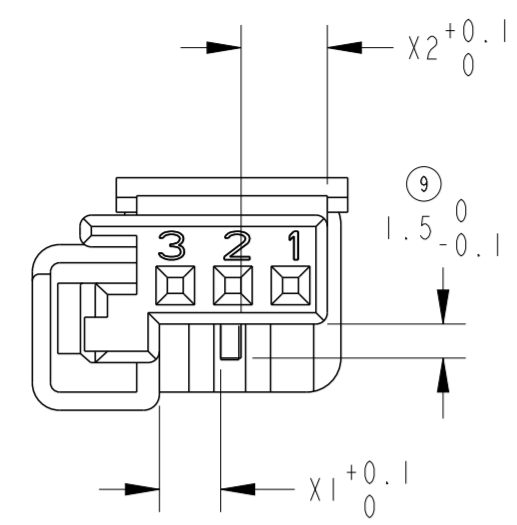


THIS DRAWING IS UNPUBLISHED.
 DIFFUSION RESTREINTE
 © COPYRIGHT 2006 BY -
 RELEASED FOR PUBLICATION
 LIBRE A LA DIFFUSION
 2006
 ALL RIGHTS RESERVED.
 TOUS DROITS RESERVES

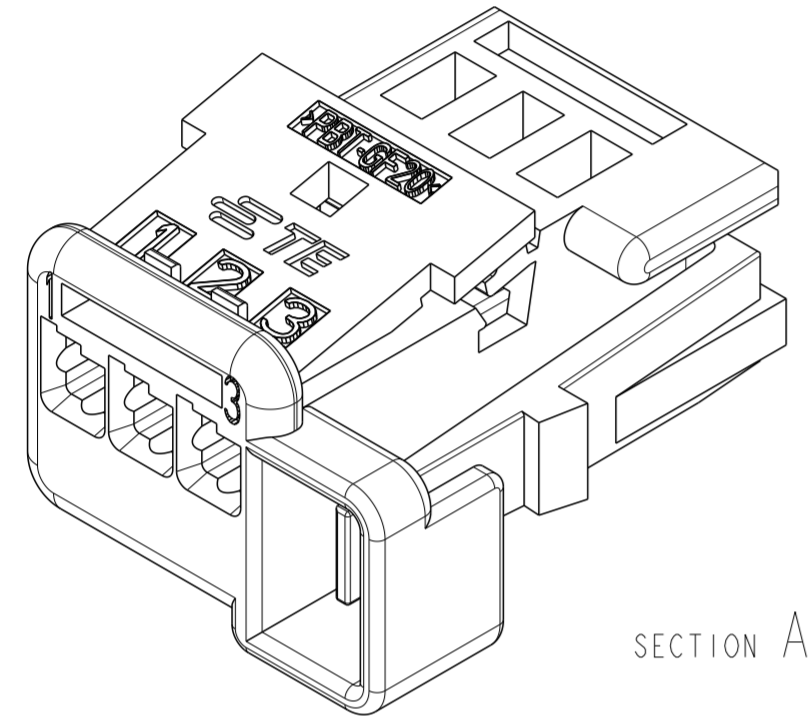
LOC		DIST		REVISIONS			
P	LTR	DESCRIPTION MODIFICATIONS		DATE	DWN DESS.	APVD APP.	
	BI	REVISED PER ECO-11-005150		28MAR2011	RK	HMR	
	C	NEW PART NUMBER I-953697-1 ADDED		08APR2013	EC	XR	

KEYING TABLE (table de detrompage)

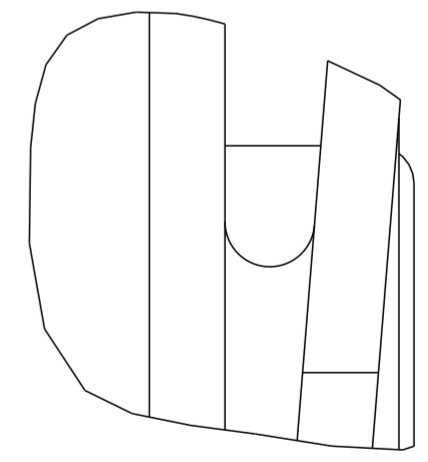
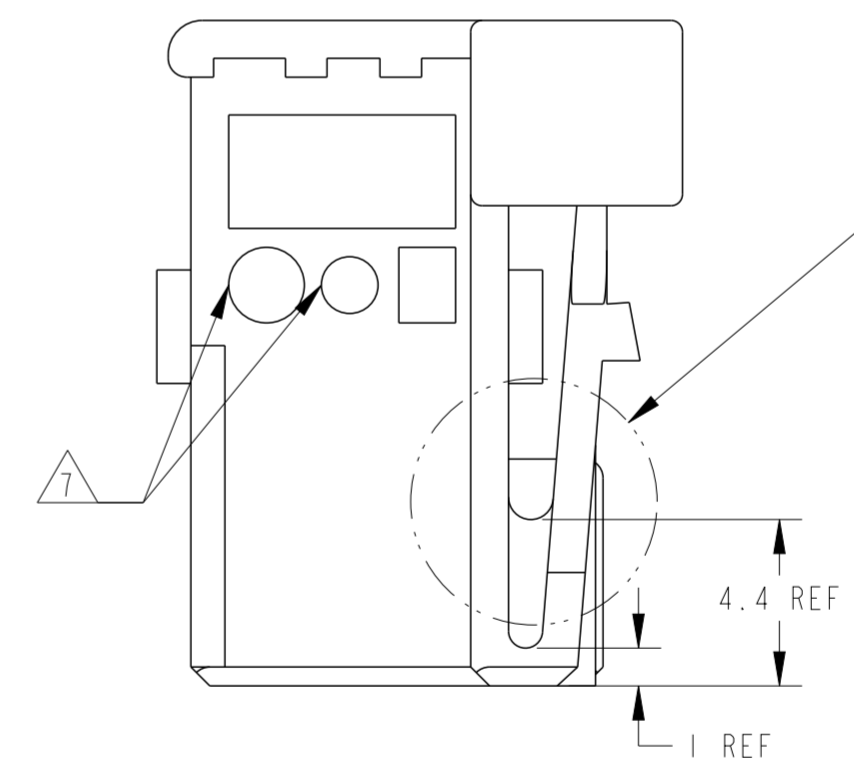
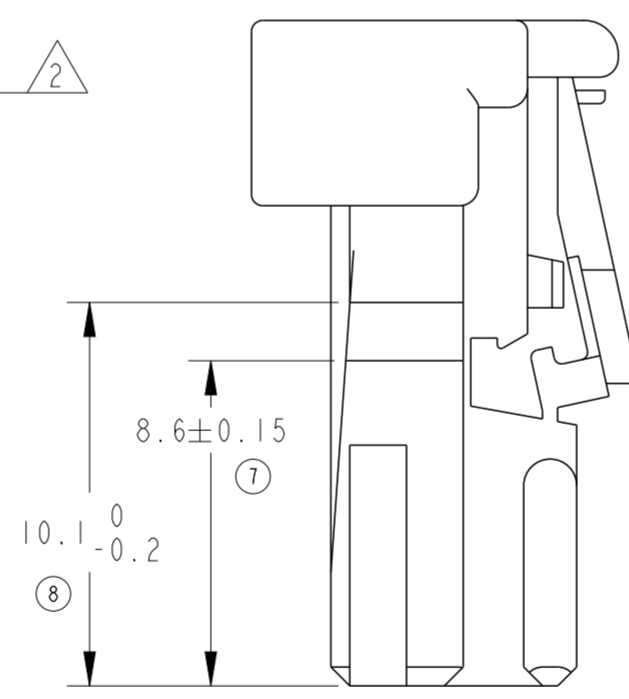
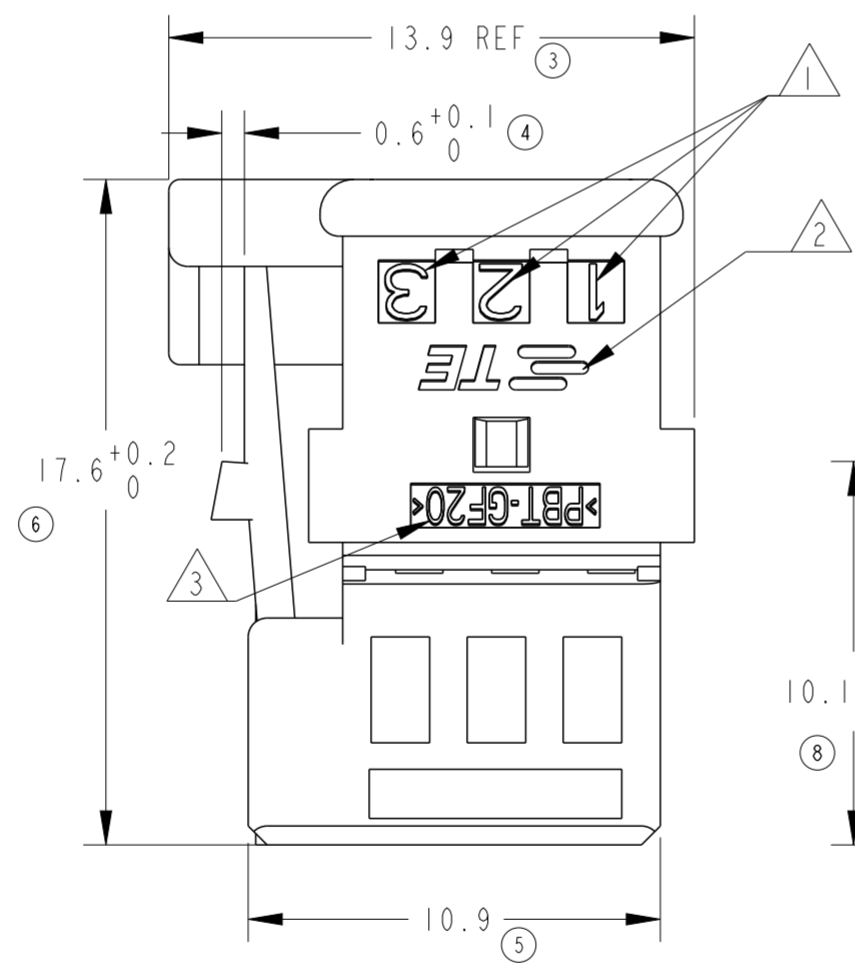
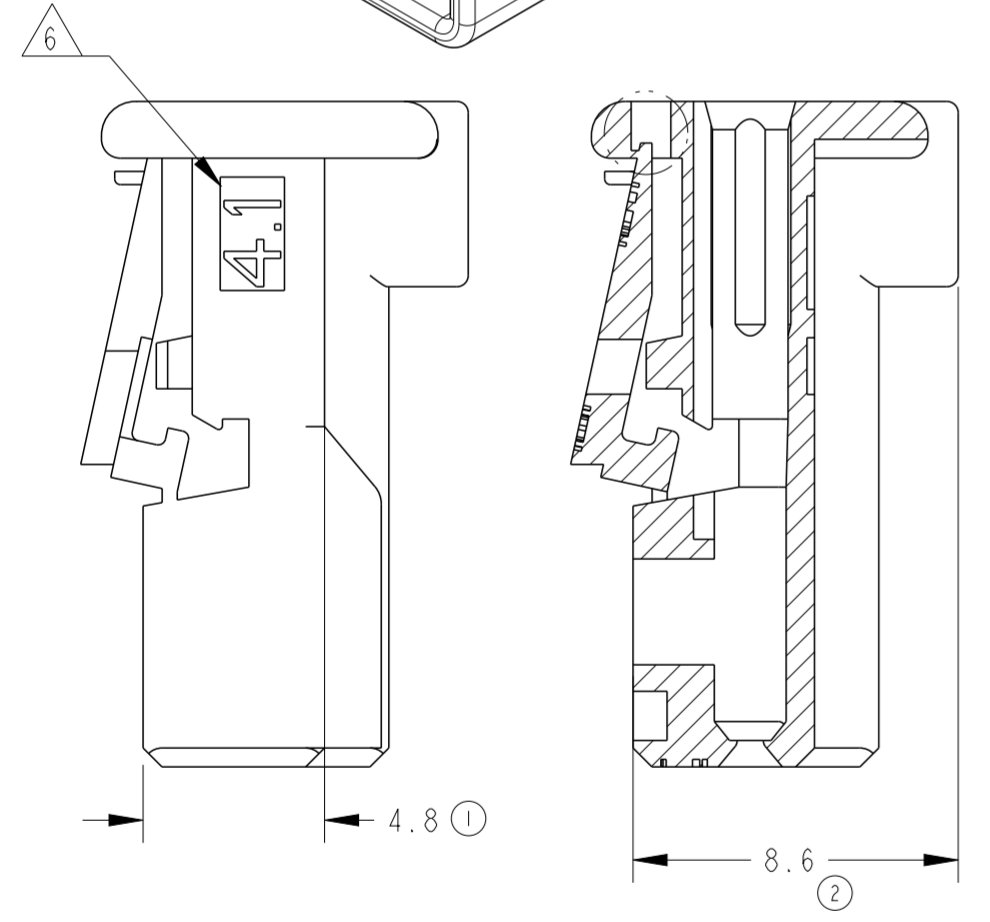
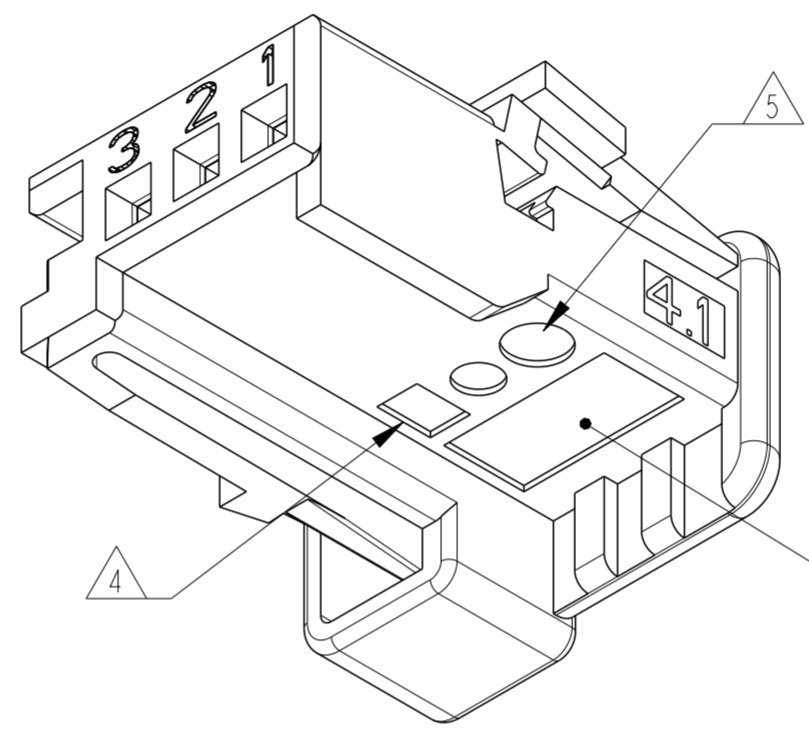
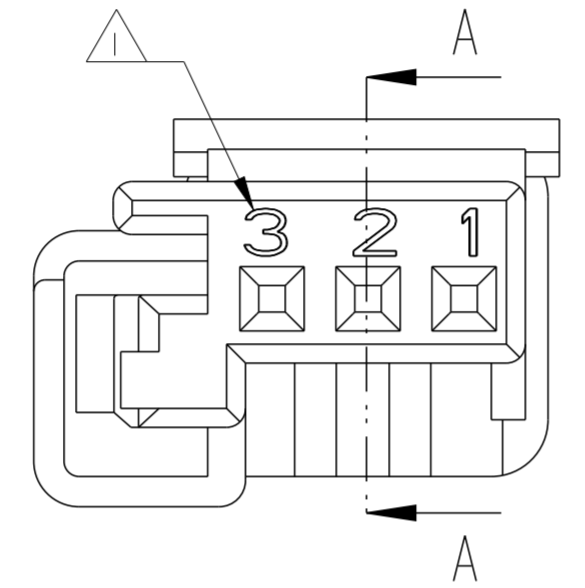
COLOR couleur	X1	X2	PART NO
BLACK noir	6.5 (10)	0 (11)	953697-1 AND I-953697-1 (SEE NOTE 9)
WHITE blanc	5.2 (12)	1.3 (13)	953697-2
BLUE bleu	4 (14)	2.5 (15)	953697-3
YELLOW jaune	2.7 (16)	3.8 (17)	953697-4
GREY gris	1.5 (18)	5 (19)	953697-5
BROWN marron	0 (20)	6.3 (21)	953697-6



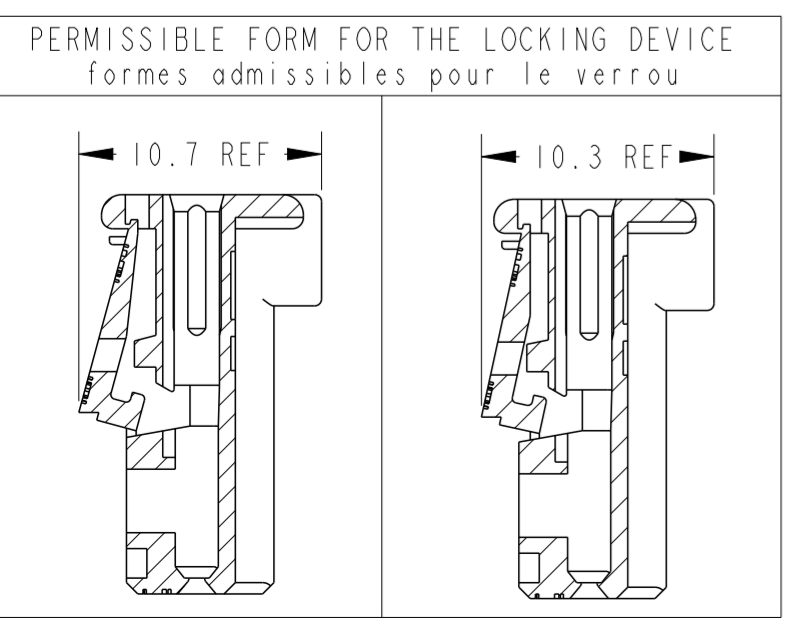
- 1 CAVITY MARKING
reperes alveoles
- 2 AMP STAMP OR TE CONNECTIVITY STAMP (following mold)-
logo AMP ou logo TE CONNECTIVITY (suivant moule)
- 3 MATERIAL IDENTIFICATION
marquage matiere
- 4 MOLD REVISION NUMBER (optional)
indice de revision moule (optionnel)
- 5 MOLD IDENTIFICATION
identification moule
- 6 MOLD CAVITY IDENTIFICATION NUMBER
numero d'empreinte moule
- 7 EXCHANGEABLE MANUFACTURING DATE
date de fabrication exchangeable
- 8 "PSA" CUSTOMER STAMP POSSIBLE
NO MARKING IN THIS AREA FOR PN I-953697-1
Marquage logo "PSA" possible
Aucun marquage dans cette zone pour PN I-953697-1



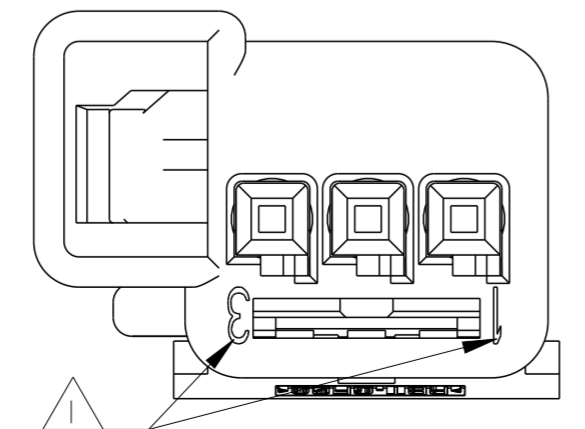
SECTION A - A



DETAIL X
SCALE 10:1



SECTION A - A
SCALE 3:1



THIS DRAWING IS A CONTROLLED DOCUMENT.		DWN/DESSINE 22MAR2006 M. POLIFONTE		TE Connectivity	
DIMENSIONS: mm		TOLERANCES UNLESS OTHERWISE SPECIFIED: TOLERANCES NON SPECIFIEES			
		±0.2 (PLC/DEC: ±) (PLC/DEC: ±) (PLC/DEC: ±) (PLC/DEC: ±) ANGLES ±5°		NAME / TITRE 3 POS. MQS RECEPTACLE HOUSING POSITIVE MATE porte-clips 3 voies MQS avaloir	
MATERIAL/MATIERE PBT-GF20		FINISH/FINITION		PRODUCT SPEC 108-15226 APPLICATION SPEC 411-15626	
		WEIGHT MASSE APPROX. 1g		SIZE / FORMAT A2 CAGE CODE 00779 DRAWING NO No PLAN C-953697	
		Customer Drawing / PLAN CLIENT		RESTRICTED TO RESERVE A - REV C	

单击下面可查看定价，库存，交付和生命周期等信息

[>>TE Connectivity\(泰科\)](#)