

2

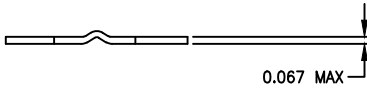
1

TYCO ELECTRONICS RESERVES THE RIGHT TO AMEND THIS DRAWING AT ANY TIME. USERS SHOULD EVALUATE THE SUITABILITY OF THE PRODUCT FOR THEIR APPLICATION.

REVISIONS

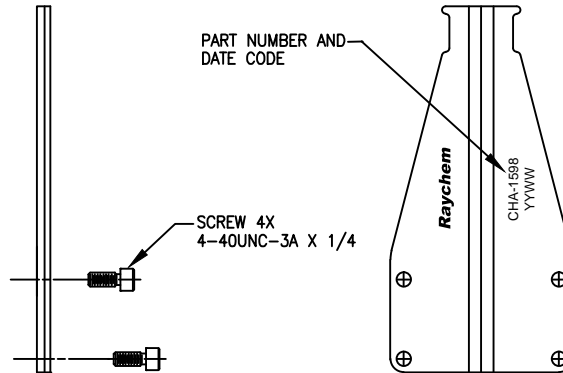
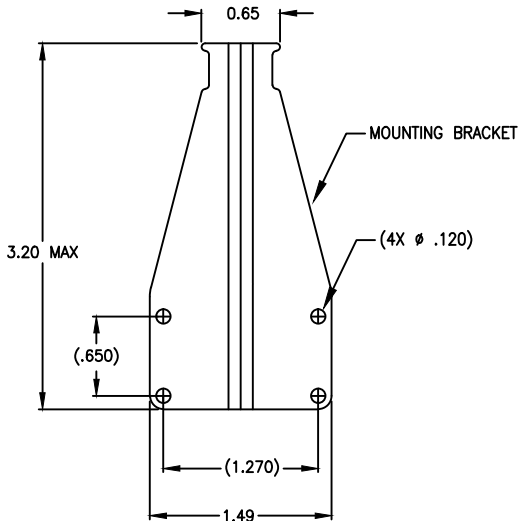
LTR	DESCRIPTION	DATE	APPROVED
B	REVISE PER DCR# C060205	April/18/06	M.HIGGY
C	REVISE PER DCR# C060280	JUNE/6/06	M.HIGGY
E	REVISION D IS SKIPPED TO MATCH P.D. REV. PER ECO-11-025362	Dec/19/2011	M.HIGGY

If this document is printed it becomes uncontrolled. Check for the latest revision



B

B



NOTE:

- THIS CABLE BRACKET IS DESIGNED FOR USE ON TYCO/RAYCHEM CONNECTOR HOUSINGS MTCTQ-YH1-X22. (SEE SHELL SPECIFICATION CONTROL DRAWINGS FOR FURTHER DETAILS).
- MATERIAL:
 - CABLE BRACKET ALUMINUM ALLOY 5052-H32 PER SAE AMS-QQ-A-250
 - SCREWS (4) SOCKET HEAD CAP SCREWS, CRES ALLOY A-286 PER SAE AMS 5737, PATCH LOCKING ELEMENT PER MIL-DTL-18240F, TYPE P
- FINISH:
 - CABLE BRACKET ELECTROLESS NICKEL PER SAE-AMS-2404, CLASS 1
 - SCREWS: PASSIVATION PER SAE-AMS-2700B TYPE II, METHOD I
- PART NUMBER, RAYCHEM AND DATE CODE ARE MARKED APPROXIMATELY AS SHOWN.

A

A

©2006-2011 Tyco Electronics. All rights reserved.

Raychem MTC CUSTOMER DRAWING

UNLESS OTHERWISE SPECIFIED DIMENSIONS ARE IN INCHES. METRIC DIMENSIONS ARE IN BRACKETS.

DECIMALS

- .XXX ± 0.005 [0.13 mm]
- .XX ± 0.01 [0.25 mm]
- .X ± 0.1 [0.50 mm]

ANGLES

- .X ± 0.5 DEG

DRAWN	T RATZLAFF	13MAR2006
CHECKED	ZS.DRBAN	12/April/06
APPROVED	M.HIGGY	12/April/06
REVISED		
CAD NAME: CHA-1598		

THIRD ANGLE PROJECTION	
------------------------	--



TITLE
CABLE BRACKET ASSEMBLY
FIBER OPTIC TERMINI APPLICATION
MTCT-SERIES

SIZE	CAGE CODE:	DWG. NO.	REV:
A	06090	CHA-1598	E

SCALE: NONE SHEET 1 OF 1

2

1

单击下面可查看定价，库存，交付和生命周期等信息

[>>TE Connectivity\(泰科\)](#)