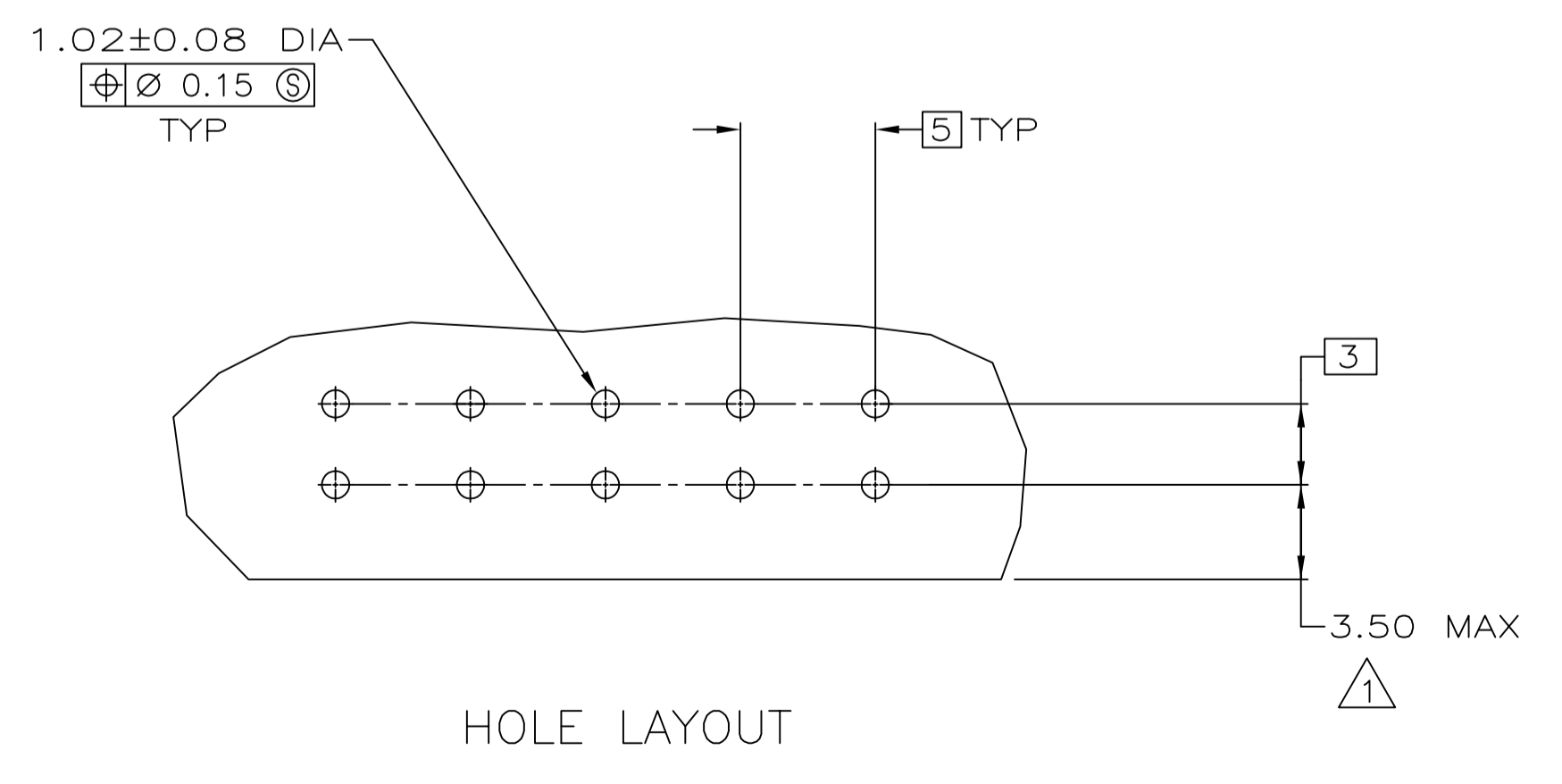
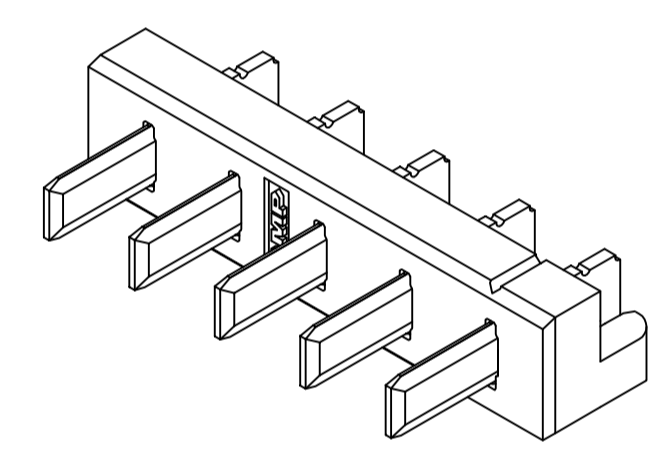
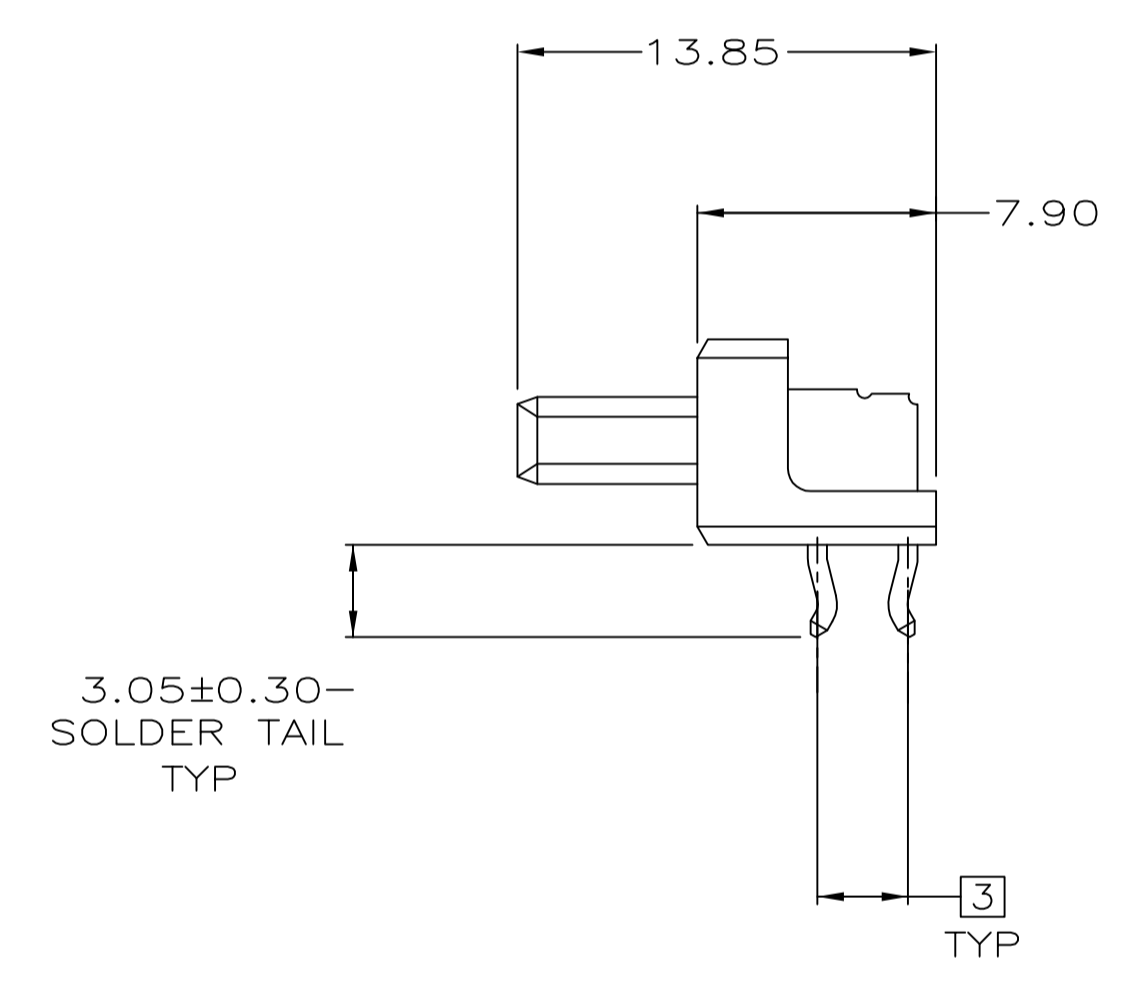
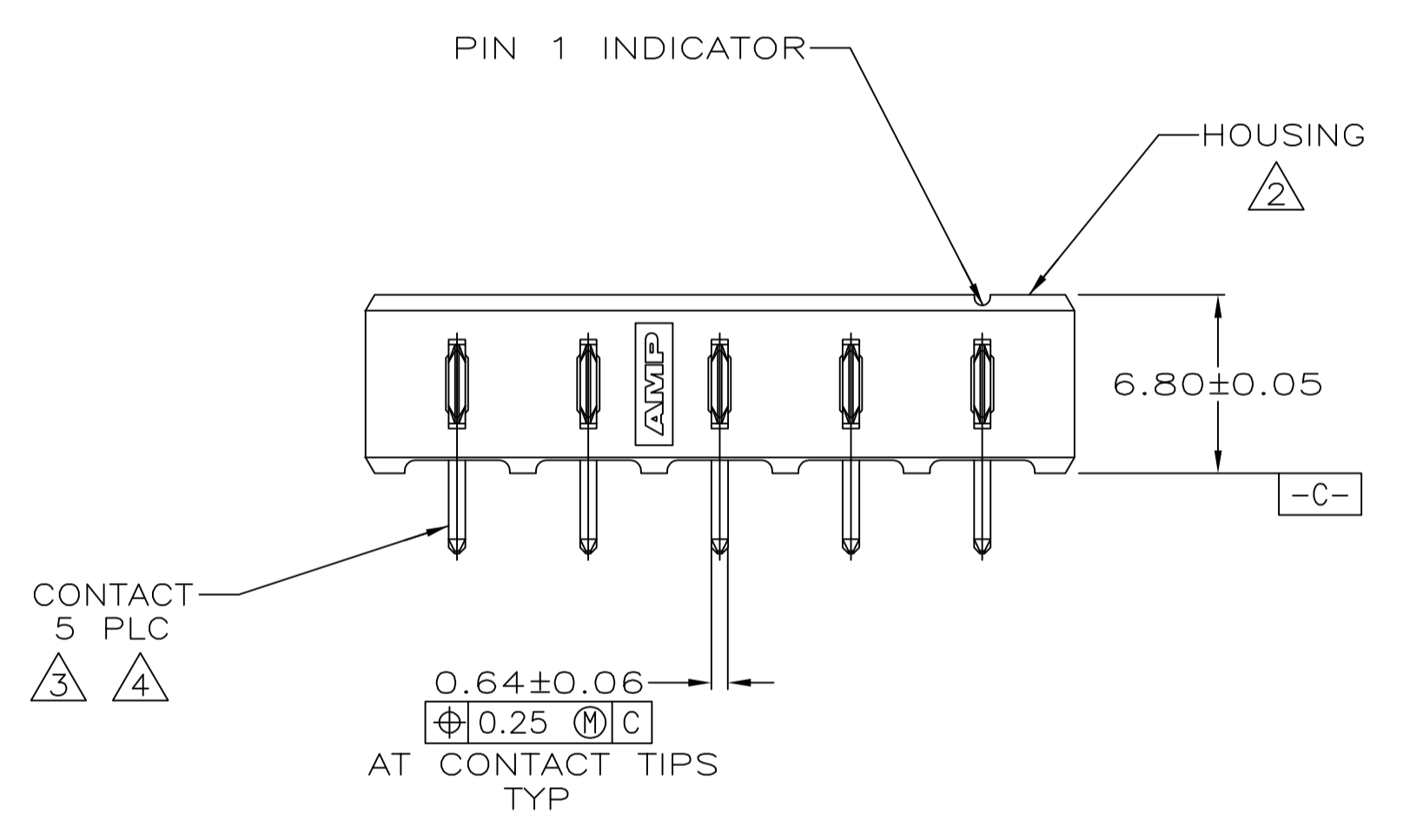
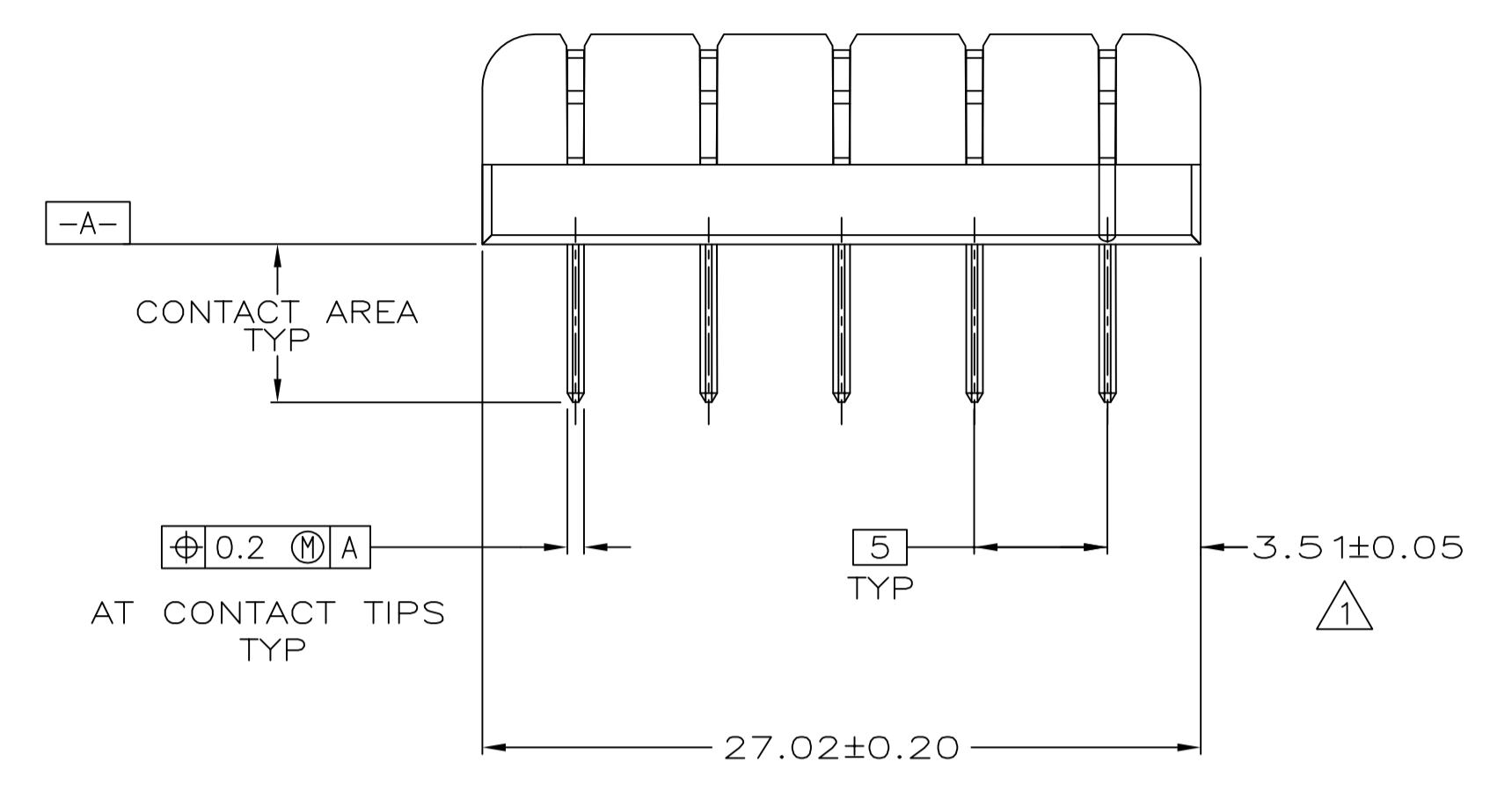


LOC		DIST		REVISIONS			
P	LTR	DESCRIPTION	DATE	DWN	APVD		
AD	39	0	RLSE -1 PER NPR 5307 WAS 95-2197-15-1	03-28-95	SK SK		
		A	REV PER EC 0020-0657-96	12/06/96	JR RS		
		A1	REVISED PER ECR-14-009533	07/07/14	AP JHA		

- △ COORDINATE DIMENSION APPLIES FROM CENTER OF ACTUAL FEATURE.
- △ LCP, BLACK
- △ 2.54 μm MIN TIN-LEAD ON SOLDER TAIL OVER 1.90 μm MIN NICKEL ALL OVER.
- △ CONTACTS: BRASS



SUPERCEDED BY 5787443-1 PART NO 787443-1

<small>THIS DRAWING IS A CONTROLLED DOCUMENT FOR AMP INCORPORATED. IT IS SUBJECT TO CHANGE AND THE CONTROLLING ENGINEERING ORGANIZATION SHOULD BE CONTACTED FOR THE LATEST REVISION.</small>		DWN S. KLINE	03-28-95		TE Connectivity
DIMENSIONS: mm		CHK S. KLINE	03-30-95		NAME S. KLINE
DIMENSIONS: mm		TOLERANCES UNLESS OTHERWISE SPECIFIED:		PRODUCT SPEC	
DIMENSIONS: mm		DIMENSIONS: mm		APPLICATION SPEC	
DIMENSIONS: mm		DIMENSIONS: mm		DRAWING NO	
DIMENSIONS: mm		DIMENSIONS: mm		SCALE	
DIMENSIONS: mm		DIMENSIONS: mm		SHEET	
DIMENSIONS: mm		DIMENSIONS: mm		REV	
DIMENSIONS: mm		DIMENSIONS: mm		CUSTOMER DRAWING	

单击下面可查看定价，库存，交付和生命周期等信息

[>>TE Connectivity\(泰科\)](#)