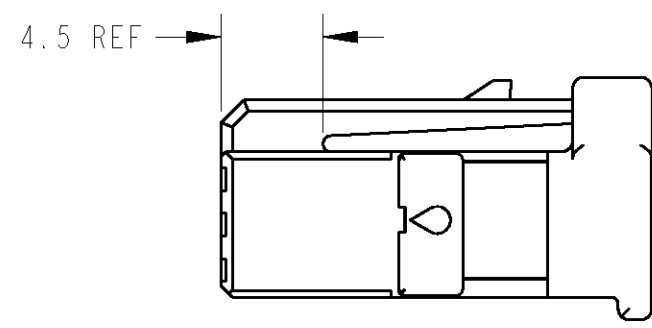
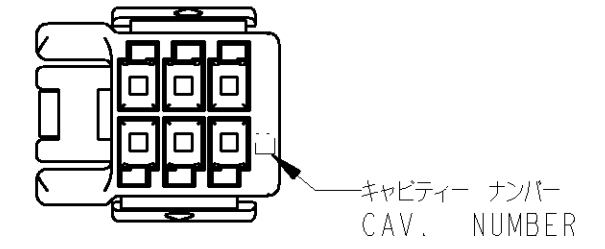
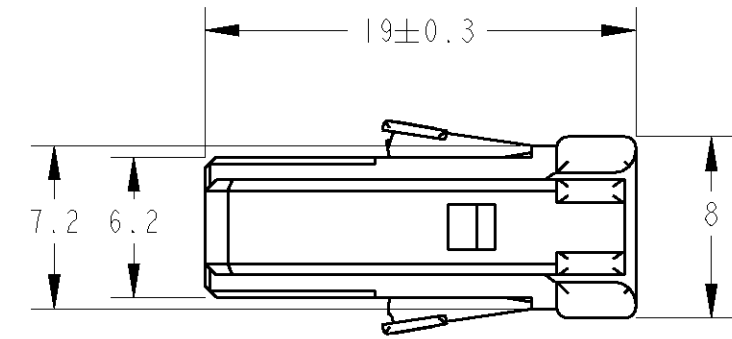
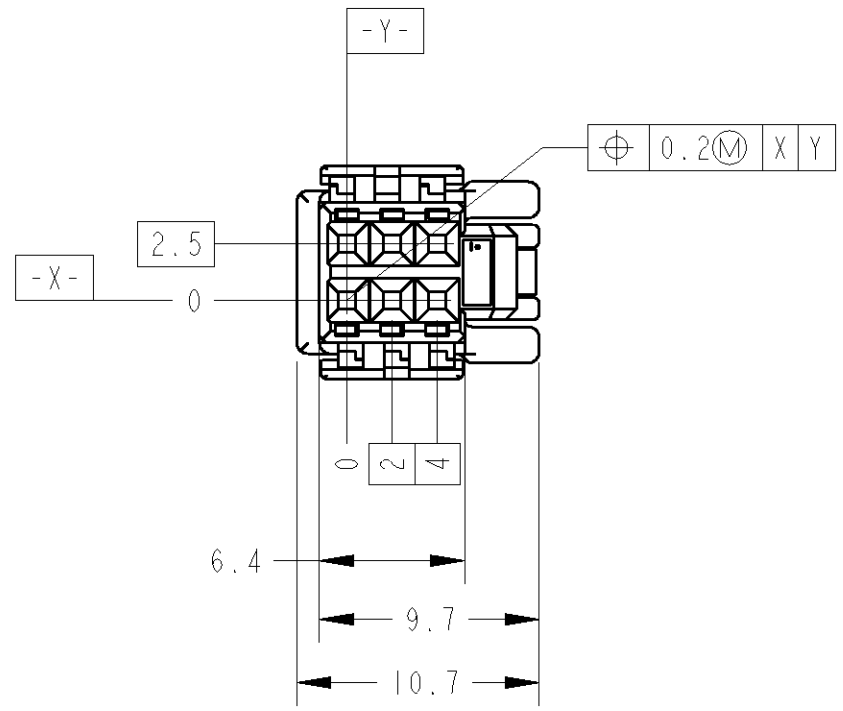


THIS DRAWING IS UNPUBLISHED. RELEASED FOR PUBLICATION
 © COPYRIGHT 19 BY TYCO ELECTRONICS CORPORATION. ALL RIGHTS RESERVED.

LOC	DIST	REVISIONS						
		P	LTR	DESCRIPTION	ECN	DATE	DWN	APVD
J	-		D	REVISED	ECR-06-024409	13NOV06	SK	SI



1. 取扱説明書; 411-5857
 1. INSTRUCTION SHEET; 411-5857

BLACK	1318305-2
BLUE	1318305-1
COLOR	PART NUMBER

<small>THIS DRAWING IS A CONTROLLED DOCUMENT FOR TYCO ELECTRONICS CORPORATION IT IS SUBJECT TO CHANGE AND THE CONTROLLING ENGINEERING ORGANIZATION SHOULD BE CONTACTED FOR THE LATEST REVISION.</small>		DWN T. KOHNO 28OCT98 CHK N. SAI 28OCT98 APVD K. SHIMIZU 28OCT98		tyco Tyco Electronics AMP K.K. Electronics Kawasaki, Japan	
DIMENSIONS: 単位: 概 mm		TOLERANCES UNLESS OTHERWISE SPECIFIED: 一般公差 = ± 0.15 0-PLC ± 1-PLC ±0.1 2-PLC ±0.01 3-PLC ±0.001 4-PLC ±0.000J ANGLES ±3		PRODUCT SPEC 108-5620 APPLICATION SPEC 114-5250	
MATERIAL 材料 PBT		FINISH 仕上 SEE TABLE		WEIGHT 0.7g	
CUSTOMER DRAWING				SIZE A3 CAGE CODE 00779 DRAWING NO. 番号 1318305 RESTRICTED TO -	
				SCALE 尺度 3:1 SHEET 1 OF 1 REV D	

单击下面可查看定价，库存，交付和生命周期等信息

[>>TE Connectivity\(泰科\)](#)