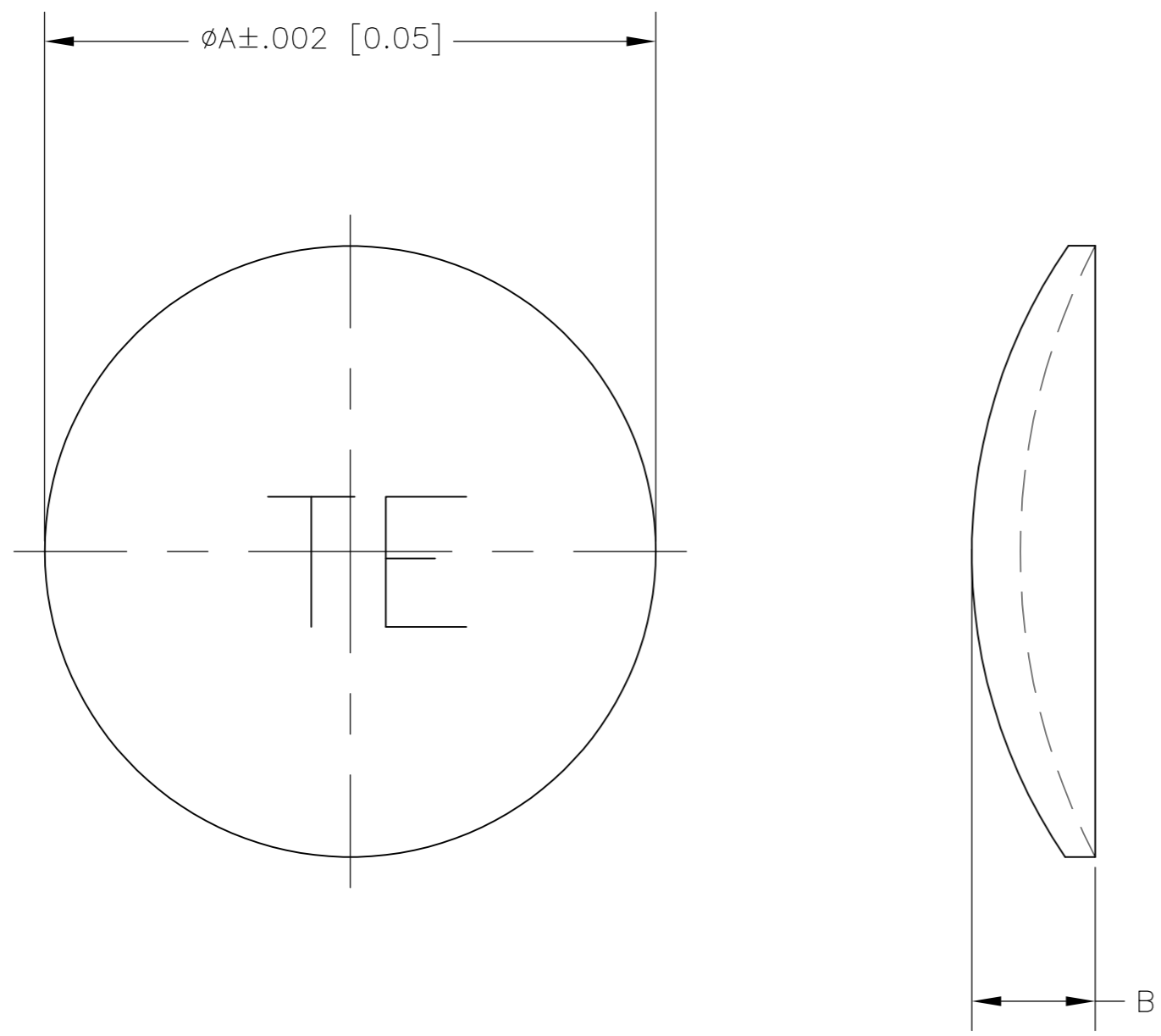


THIS DRAWING IS UNPUBLISHED. RELEASED FOR PUBLICATION
 © COPYRIGHT - By - ALL RIGHTS RESERVED.

LOC		DIST		REVISIONS			
P	LTR	DESCRIPTION		DATE	DWN	APVD	
	L	REVISED PER ECO-12-014729		09JUN13	AM	MY	



- 1 STAINLESS STEEL.
- 2 BRASS.
- 3 GOLD PLATE.
- 4 WHITE BRONZE PLATE.
- 5 NICKEL PLATE.
- 6 TIN-LEAD PLATE.
- 7 TIN PLATE.
- 8 PASSIVATE.

MAX	MIN	ϕA	FINISH	MATERIAL	PART NUMBER
.040 [1.02]	.034 [0.86]	.167 [4.24]	7	2	9-1403081-0
.046 [1.17]	.034 [0.86]	.156 [3.96]	3	2	4-1403081-2
.040 [1.02]	.032 [0.81]	.188 [4.78]	5	2	4-1403081-1
.040 [1.02]	.032 [0.81]	.188 [4.78]	3	2	4-1403081-0
.040 [1.02]	.032 [0.81]	.188 [4.78]	5	2	3-1403081-9
.046 [1.17]	.034 [0.86]	.156 [3.96]	3	2	3-1403081-7
.040 [1.02]	.034 [0.86]	.167 [4.24]	3	2	3-1403081-6
.040 [1.02]	.034 [0.86]	.167 [4.24]	6	2	3-1403081-4
.040 [1.02]	.034 [0.86]	.167 [4.24]	5	2	3-1403081-3
.040 [1.02]	.034 [0.86]	.167 [4.24]	3	2	3-1403081-2
.037 [0.94]	.030 [0.76]	.136 [3.45]	3	2	3-1403081-0
.036 [0.91]	.029 [0.74]	.141 [3.58]	3	2	2-1403081-8
.043 [1.09]	.037 [0.94]	.199 [5.05]	3	2	2-1403081-7
.043 [1.09]	.037 [0.94]	.199 [5.05]	3	2	2-1403081-5
.046 [1.17]	.034 [0.86]	.156 [3.96]	3	1	2-1403081-3
.046 [1.17]	.034 [0.86]	.156 [3.96]	5	1	2-1403081-2
.046 [1.17]	.034 [0.86]	.156 [3.96]	8	1	2-1403081-1
.046 [1.17]	.034 [0.86]	.156 [3.96]	3	1	2-1403081-0
.040 [1.02]	.032 [0.81]	.188 [4.78]	4	2	1-1403081-8
.040 [1.02]	.032 [0.81]	.188 [4.78]	3	2	1-1403081-7
.046 [1.17]	.035 [0.89]	.138 [3.51]	3	2	1-1403081-5
.038 [0.97]	.031 [0.79]	.219 [5.56]	4	2	1-1403081-3
.038 [0.97]	.031 [0.79]	.219 [5.56]	3	2	1-1403081-2
.024 [0.61]	.017 [0.43]	.098 [2.49]	3	1	1-1403081-0
.028 [0.71]	.021 [0.53]	.126 [3.20]	3	1	1403081-8
.028 [0.71]	.021 [0.53]	.126 [3.20]	3	1	1403081-7
.028 [0.71]	.021 [0.53]	.126 [3.20]	8	1	1403081-6
.028 [0.71]	.021 [0.53]	.126 [3.20]	3	1	1403081-5
.040 [1.02]	.032 [0.81]	.188 [4.78]	3	1	1403081-3
.040 [1.02]	.032 [0.81]	.188 [4.78]	8	1	1403081-2
.040 [1.02]	.032 [0.81]	.188 [4.78]	3	1	1403081-1

THIS DRAWING IS A CONTROLLED DOCUMENT.

DWN D.WALLACE 4/14/2008
 CHK J.LIPPERT 4/14/2008
 APVD J.LIPPERT 4/14/2008

STE TE Connectivity

NAME CAP (2000-24)

PRODUCT SPEC
 APPLICATION SPEC

SIZE A2 CAGE CODE 00779 DRAWING NO C=1403081 RESTRICTED TO -

MATERIAL - FINISH - WEIGHT - SCALE 20:1 SHEET 1 of 1 REV L

CUSTOMER DRAWING

单击下面可查看定价，库存，交付和生命周期等信息

[>>TE Connectivity\(泰科\)](#)