

4

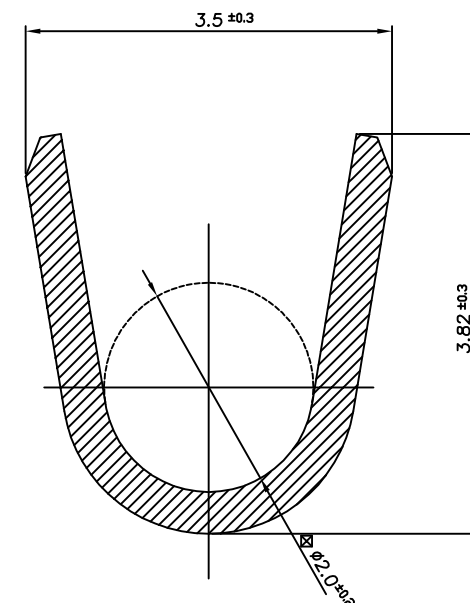
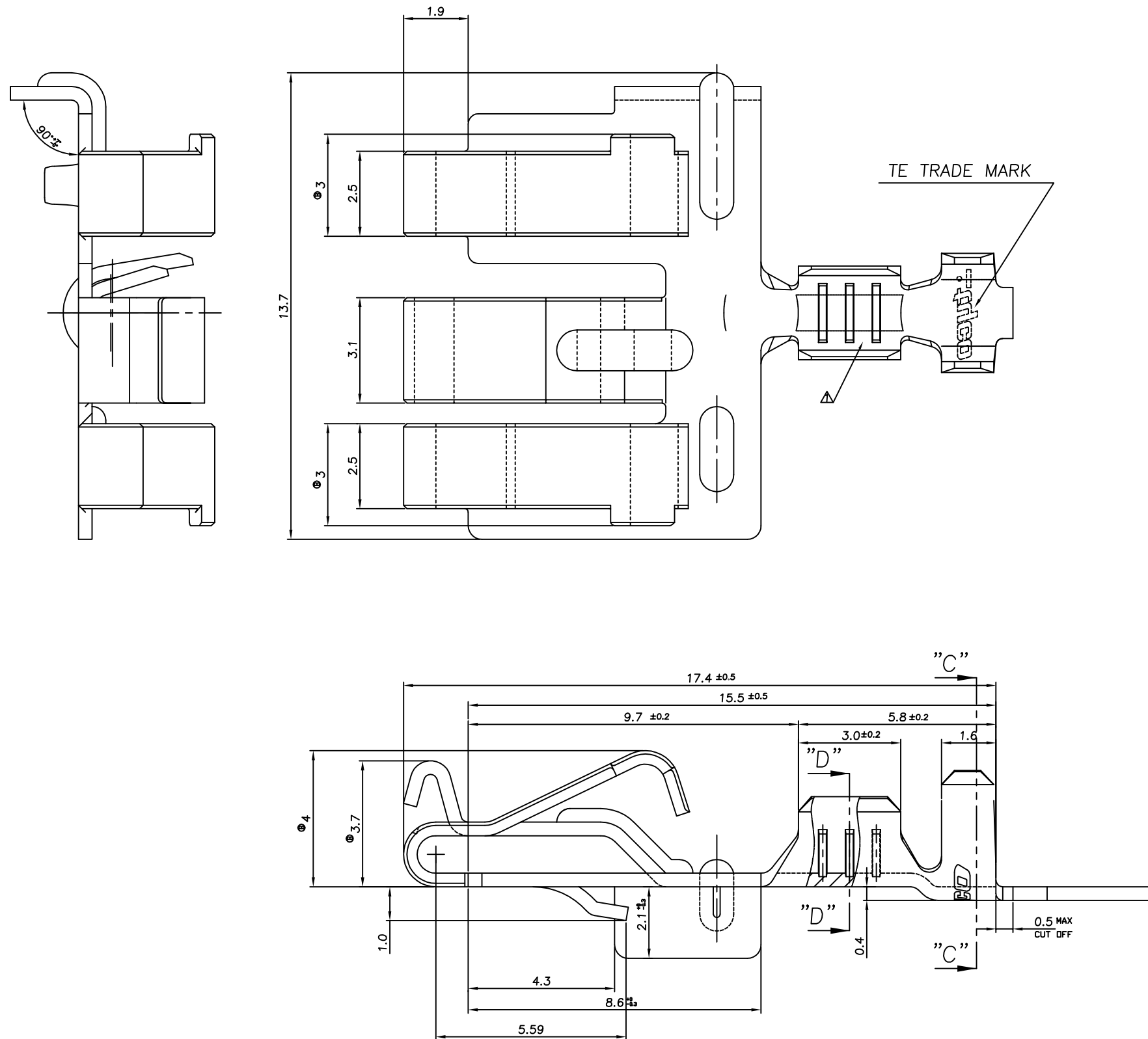
3

2

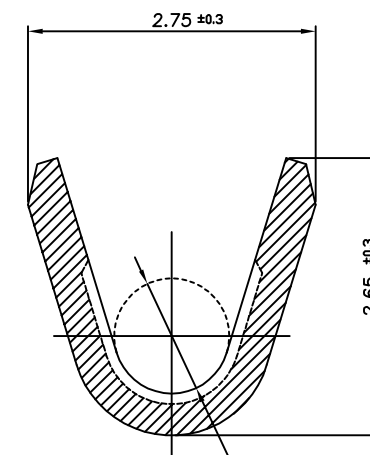
1

THIS DRAWING IS UNPUBLISHED. RELEASED FOR PUBLICATION  
COPYRIGHT ALL RIGHTS RESERVED.

LOC		DIST		REVISIONS			
DS	-	P	LTR	DESCRIPTION	DATE	DWN	APVD
		A		RELEASED	24.JAN.'08	IS	JK
		B		REVISED	11.MAR.'08	IS	HG



SECTION "C-C"  
Scale 20/1



SECTION "D-D"  
Scale 20/1

\* NOTES

△ THREE SERRATIONS CENTERED IN WIRE BARREL.  
2 WIRE SIZE EQUIV AVS 0.5~ AVS 0.85 Sqmm.

PRE-TINNED	Cu Alloy	0.40THK.	1897370-1
FINISH	MATERIAL		PART NUMBER

<small>THIS DRAWING IS A CONTROLLED DOCUMENT FOR TYCO ELECTRONICS CORPORATION IT IS SUBJECT TO CHANGE AND THE CONTROLLING ENGINEERING ORGANIZATION SHOULD BE CONTACTED FOR THE LATEST REVISION.</small>		DWN IS WDD	 TE Connectivity	NAME <b>GROUND TML FOR T-20 BULB ASS'Y</b>		
DIMENSIONS: MM	TOLERANCES UNLESS OTHERWISE SPECIFIED: 0-PLG ± 1-PLG ± 2-PLG ± 0.3 3-PLG ± 4-PLG ± ANGLES ± 2° FINISH -	CHK YM CHDI				
		APVD HG CHD				
	MATERIAL	PRODUCT SPEC -			SIZE	CAGE CODE
		APPLICATION SPEC -	WEIGHT -	A200779	C=1897370	-
CUSTOMER DRAWING		SCALE 10/1	SHEET 1 OF 1	REV B		

单击下面可查看定价，库存，交付和生命周期等信息

[>>TE Connectivity\(泰科\)](#)