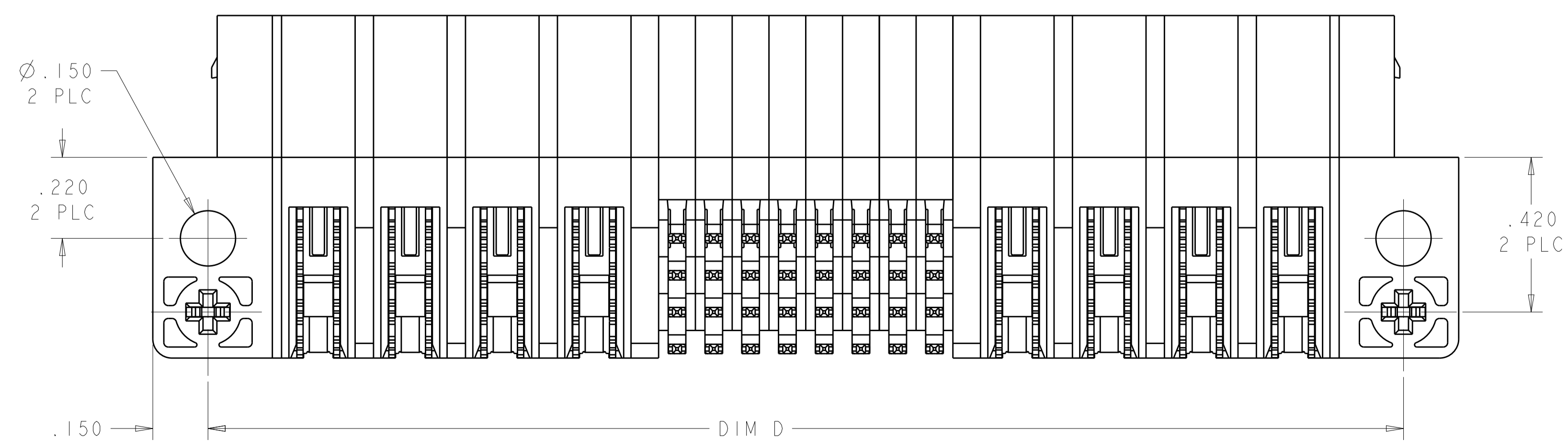
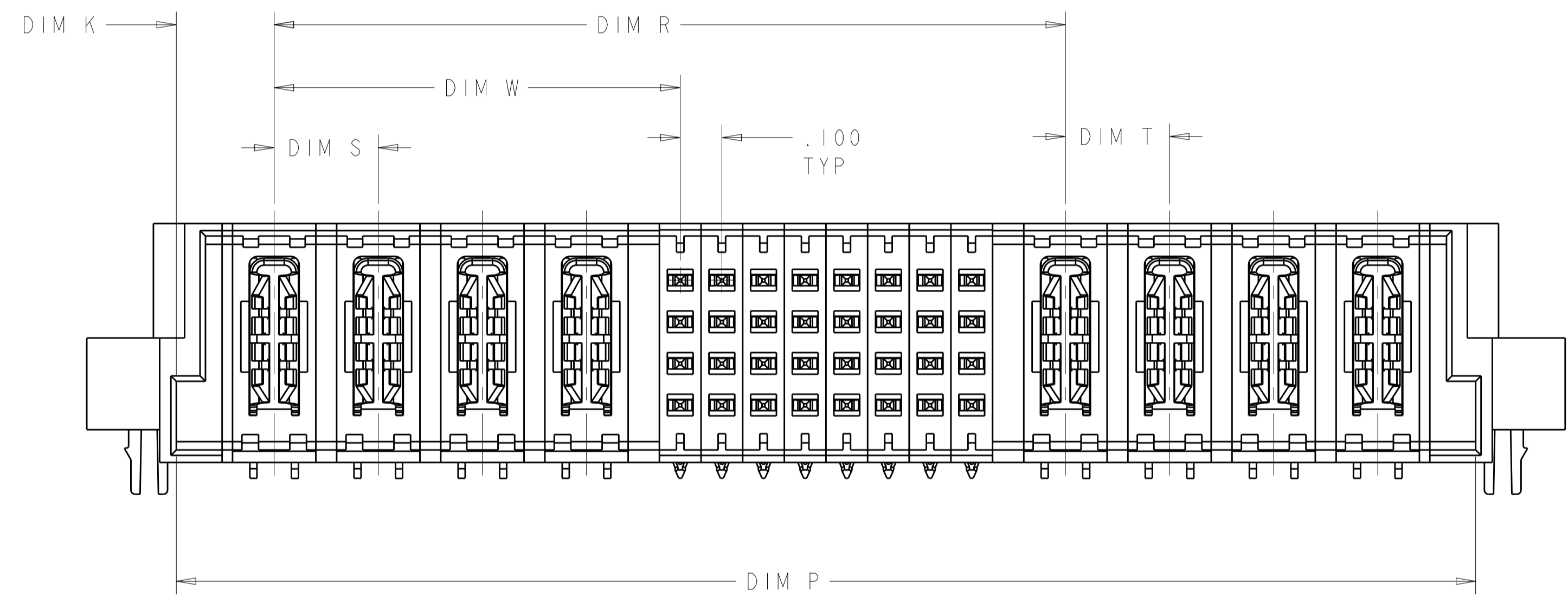
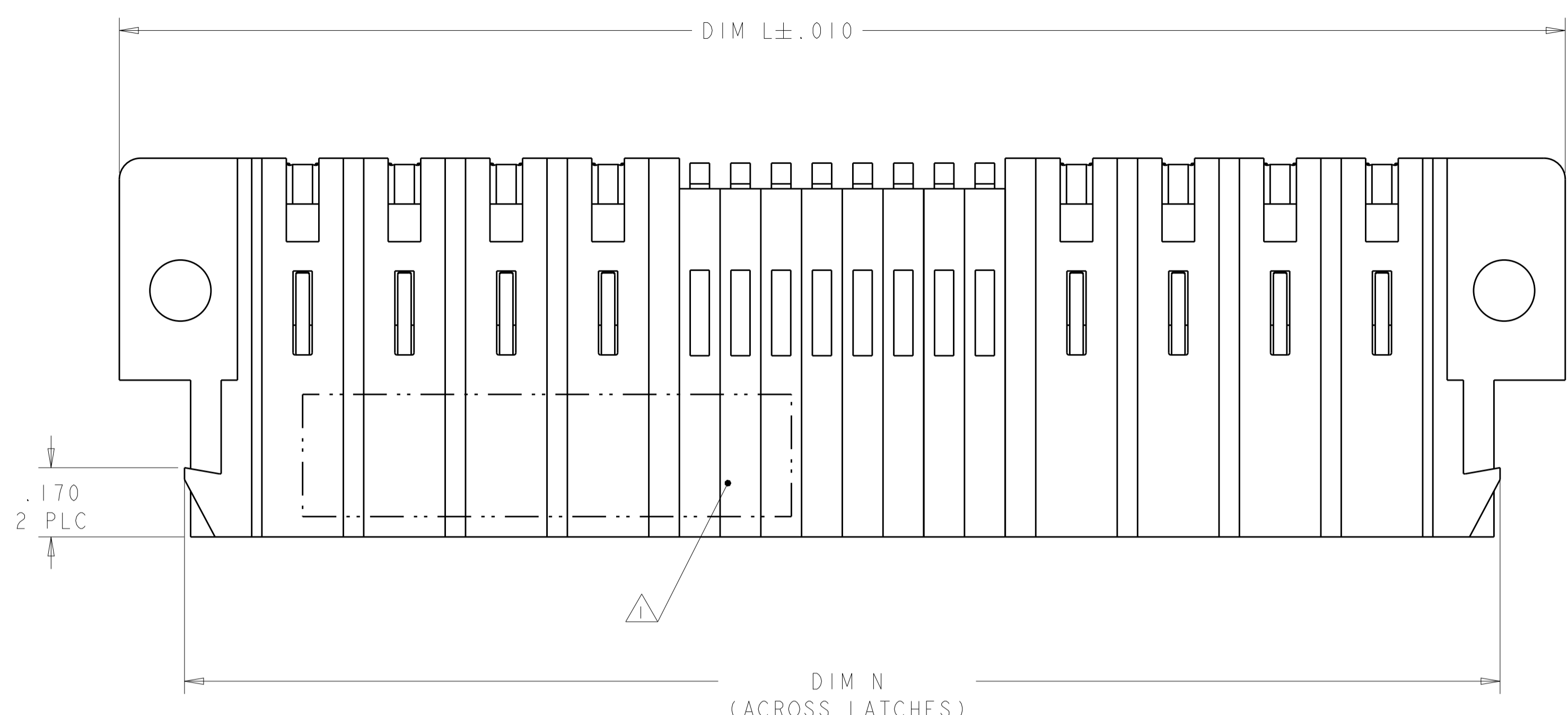
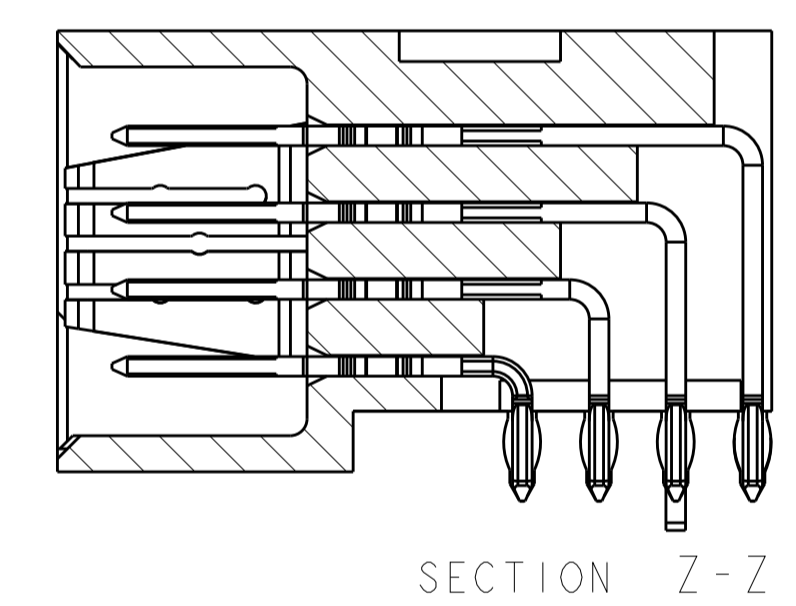
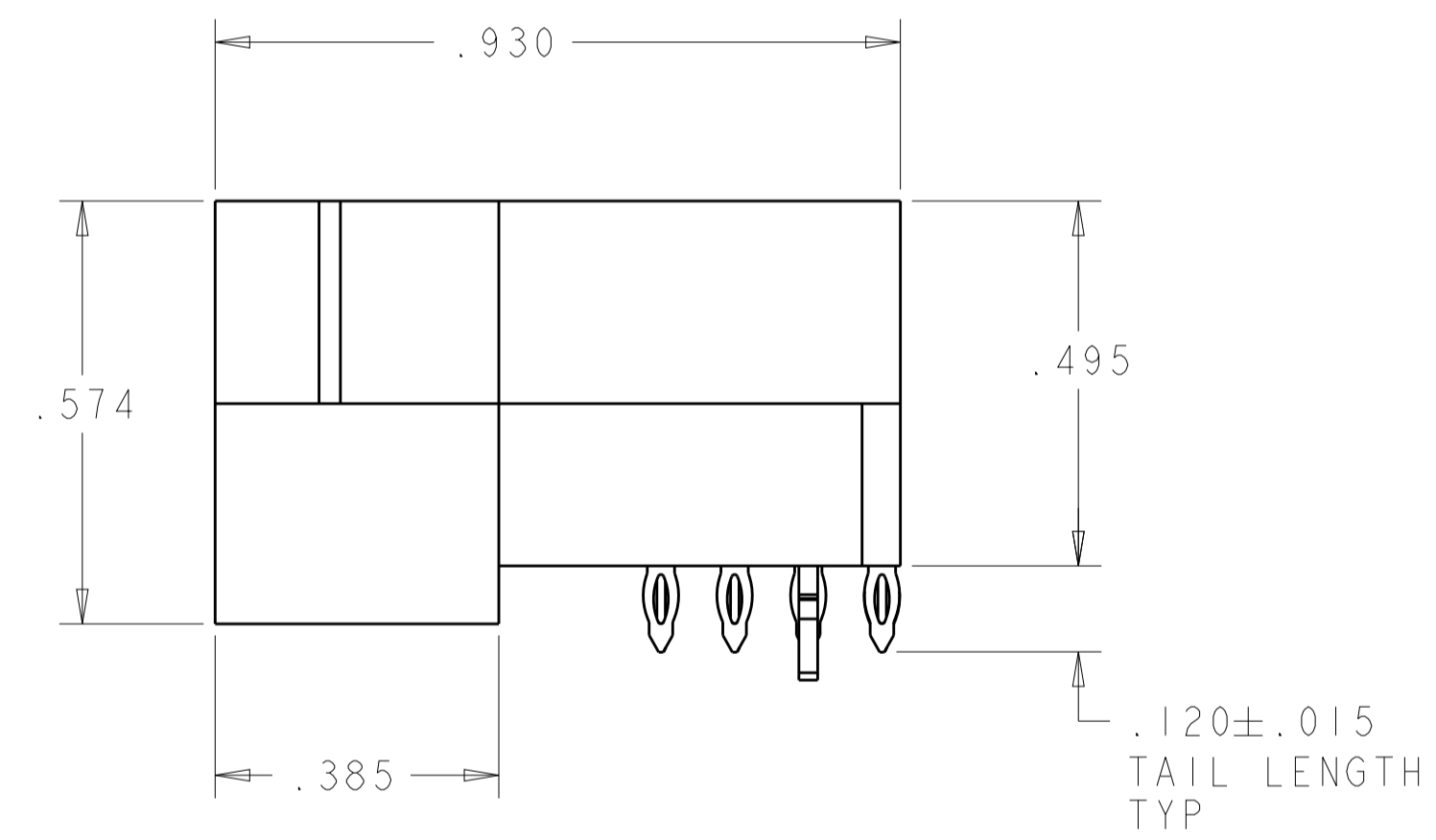


LOC	DIST	REVISIONS					
		P	LTN	DESCRIPTION	DATE	DWN	APVD
ES	00	A7		ADDED NEW DASH NUMBER -8	26JUL2012	CZ	SZ
		A8		REVISED FOR -8	03AUG2012	CZ	SZ



- 1 "AMP" PART NUMBER AND DATE CODE TO BE MARKED IN AREA SHOWN. PARTS UNDER 2.00 INCHES LONG MAY BE MARKED ON BOTH SIDES.
- 2 MATERIAL: HOUSING - GLASS FILLED HIGH TEMP THERMO PLASTIC, UL 94 V-0
SIGNAL CONTACT - COPPER ALLOY
POWER CONTACT - HIGH CONDUCTIVITY COPPER ALLOY.
- 3 CONTACT PLATING: NOBLE METAL PLATING ON CONTACT FUNCTIONAL AREA OF POWER AND SIGNAL CONTACTS
- 4 MECHANICAL CONNECTOR KEEP OUT ZONE. WHEN PLACING CONNECTORS END-TO-END, ALLOW ADDITIONAL 0.1 CLEARANCE BETWEEN CONNECTORS FOR LATCH ACTIVATION.
- 5 DATUM AND BASIC DIMENSIONS ESTABLISHED BY CUSTOMER.
- 6 PCB - ALL HOLE DIAMETERS ARE FINISHED HOLE SIZES.
- 7 PCB - .0453±.0010 DRILLED HOLES PLATED WITH .0003 MIN Sn OVER .001 TO .003 Cu PLATING TO ACHIEVE A .040 DIA HOLE.
- 8 FOR CONFIGURATION "S" DIMENSIONS PLEASE REFER TO SHEET 2.

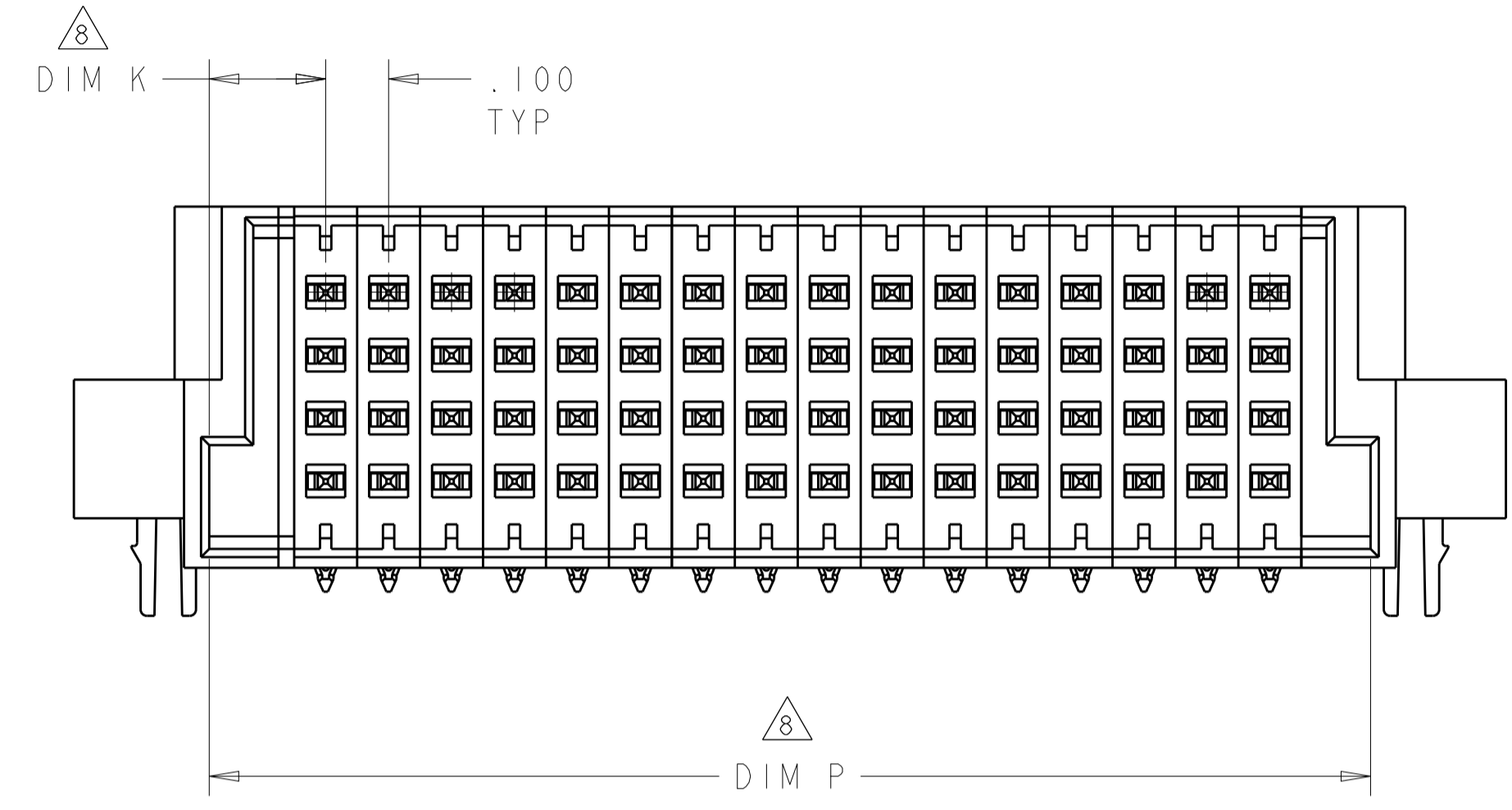


A7	1.400	-	.300	1.270	1.380	-	.850	1.700	.235	3ACP + 4S	6450528-8
	1.975	-	-	1.845	1.955	-	-	2.275	.185	64S	6450528-7
	2.750	-	.300	2.620	2.730	-	2.050	3.050	.260	7ACP + 8S	6450528-6
	3.100	.300	.300	2.970	3.080	1.800	.850	3.400	.285	3ACP + 32S + 3ACP	6450528-5
	1.050	-	-	.920	1.030	.450	.225	1.350	.235	1P + 4S + 1P	6450528-4
	3.350	-	.300	3.220	3.330	-	2.300	3.650	.260	8ACP + 24S	6450528-3
	3.250	.250	.250	3.120	3.230	1.900	.975	3.550	.235	4P + 32S + 4P	6450528-1
	DIM D	DIM T	DIM S	DIM P	DIM N	DIM R	DIM W	DIM L	DIM K	DESCRIPTION	PART NUMBER

THIS DRAWING IS A CONTROLLED DOCUMENT. DIMENSIONS: INCHES. TOLERANCES UNLESS OTHERWISE SPECIFIED: 0 PLC ±.01, 1 PLC ±.01, 2 PLC ±.01, 3 PLC ±.005, 4 PLC ±.002, ANGLES ±.020. MATERIAL: 2. FINISH: 3. THIS DRAWING IS UNPUBLISHED. RELEASED FOR PUBLICATION. ALL RIGHTS RESERVED. DWN: CECILY.ZHOU, CHK: S.ZHAO, APVD: S.ZHAO, DATE: 25JUL2006. PRODUCT SPEC: 108-1973, APPLICATION SPEC: 114-13038, WEIGHT: -. CUSTOMER DRAWING. SCALE: 4:1, SHEET 1 OF 7, REV B. STC TE Connectivity. NAME: RIGHT ANGLE HEADER ASSEMBLY W/END LATCHES MULTI-BEAM XL. SIZE: A100779, CAGE CODE: 6450528, DRAWING NO: 108-1973.

THIS DRAWING IS UNPUBLISHED. RELEASED FOR PUBLICATION 20
COPYRIGHT 20 . ALL RIGHTS RESERVED.

LOC		DIST		REVISIONS			
ES	00	P	LTH	DESCRIPTION	DATE	DMN	APVD
		-		SEE SHEET 1	-	-	-

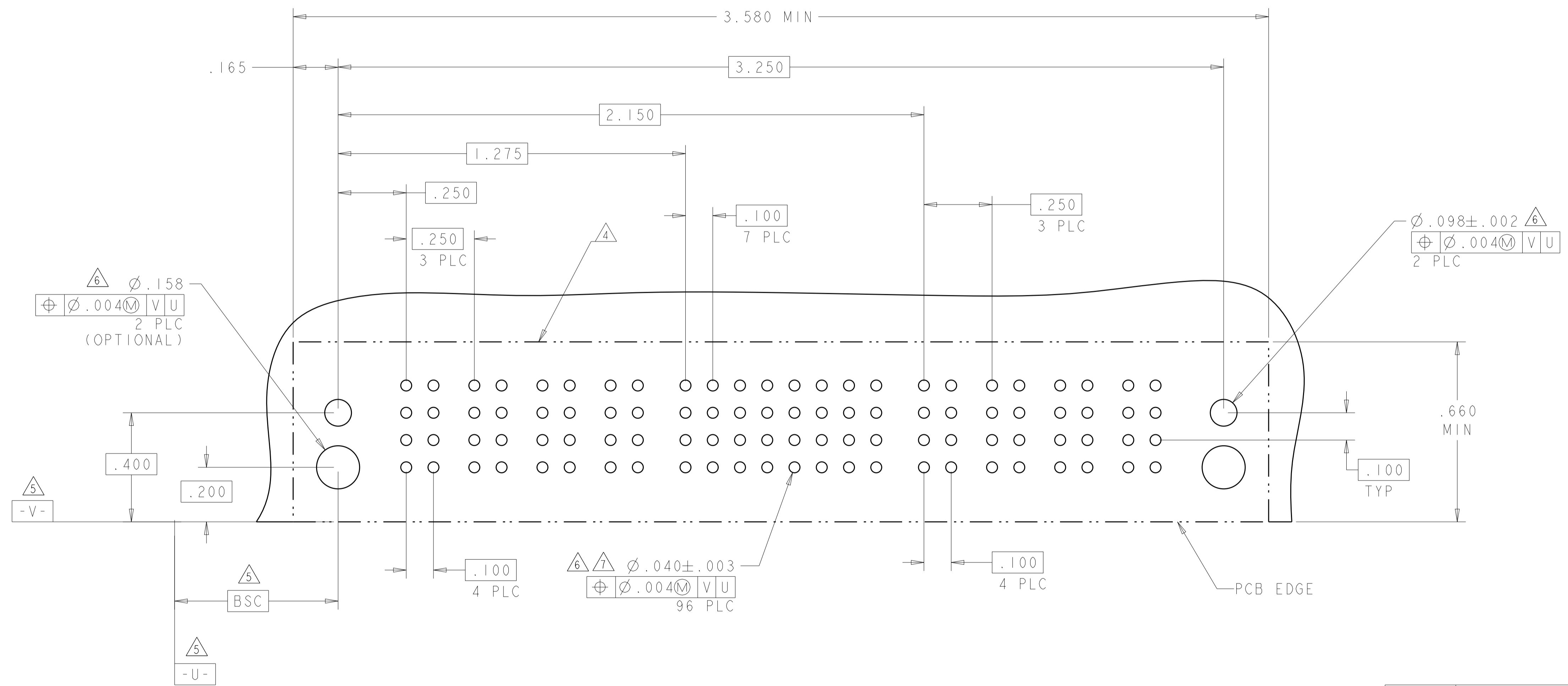


FOR CONFIGURATION "S", OTHER DIMENSIONS PLEASE REFER TO SHEET 1

THIS DRAWING IS A CONTROLLED DOCUMENT.		DMN G. CECILY, ZHOU 25JUL2006	STE TE Connectivity														
DIMENSIONS: INCHES		CHK S. ZHAO 25JUL2006															
TOLERANCES UNLESS OTHERWISE SPECIFIED:		APVD S. ZHAO 25JUL2006	NAME RIGHT ANGLE HEADER ASSEMBLY W/END LATCHES MULTI-BEAM XL														
<table border="1"> <tr><td>0 PLC</td><td>±.</td></tr> <tr><td>1 PLC</td><td>±.01</td></tr> <tr><td>2 PLC</td><td>±.01</td></tr> <tr><td>3 PLC</td><td>±.005</td></tr> <tr><td>4 PLC</td><td>±.0020</td></tr> <tr><td>ANGLES</td><td>±.2°</td></tr> <tr><td>FINISH</td><td>-</td></tr> </table>		0 PLC	±.	1 PLC	±.01	2 PLC	±.01	3 PLC	±.005	4 PLC	±.0020	ANGLES	±.2°	FINISH	-	PRODUCT SPEC 108-1973	SIZE A100779
0 PLC	±.																
1 PLC	±.01																
2 PLC	±.01																
3 PLC	±.005																
4 PLC	±.0020																
ANGLES	±.2°																
FINISH	-																
MATERIAL -		APPLICATION SPEC 114-13038	CAGE CODE DRAWING NO C=6450528														
CUSTOMER DRAWING		WEIGHT -	RESTRICTED TO -														
		SCALE 4:1	SHEET 2 OF 7														
			REV B														

LOC		DIST		REVISIONS			
ES	00	P	LTN	DESCRIPTION	DATE	DWN	APVD
		-		SEE SHEET 1			

PART NUMBER	ROWS		POWER				SIGNAL								POWER					
			P1	P2	P3	P4	1	2	3	4	5	6	7	8	P5	P6	P7	P8		
6450528-1	D C B A	HD	PT	PT	PT	PT	Z5	Z5	Z5	Z5	Z5	Z5	Z5	Z5	Z5	PT	PT	PT	PT	HD
							Y5	Y5	Y5	Y5	Y5	Y5	Y5	Y5	Y5					
							R5	R5	R5	R5	R5	R5	R5	R5	R5					
4P + 32S + 4P																				



PT	.120
CODE	TAIL LENGTH
POWER CONTACT	

Z5	STD	D
Y5	STD	C
R5	STD	B
O5	STD	A
CODE	MATING SEQUENCE	ROW
SIGNAL CONTACT		

THIS DRAWING IS A CONTROLLED DOCUMENT. DWN: CECILY.ZHOU 25JUL2006, CHK: S.ZHAO 25JUL2006, APVD: S.ZHAO 25JUL2006

STE TE Connectivity

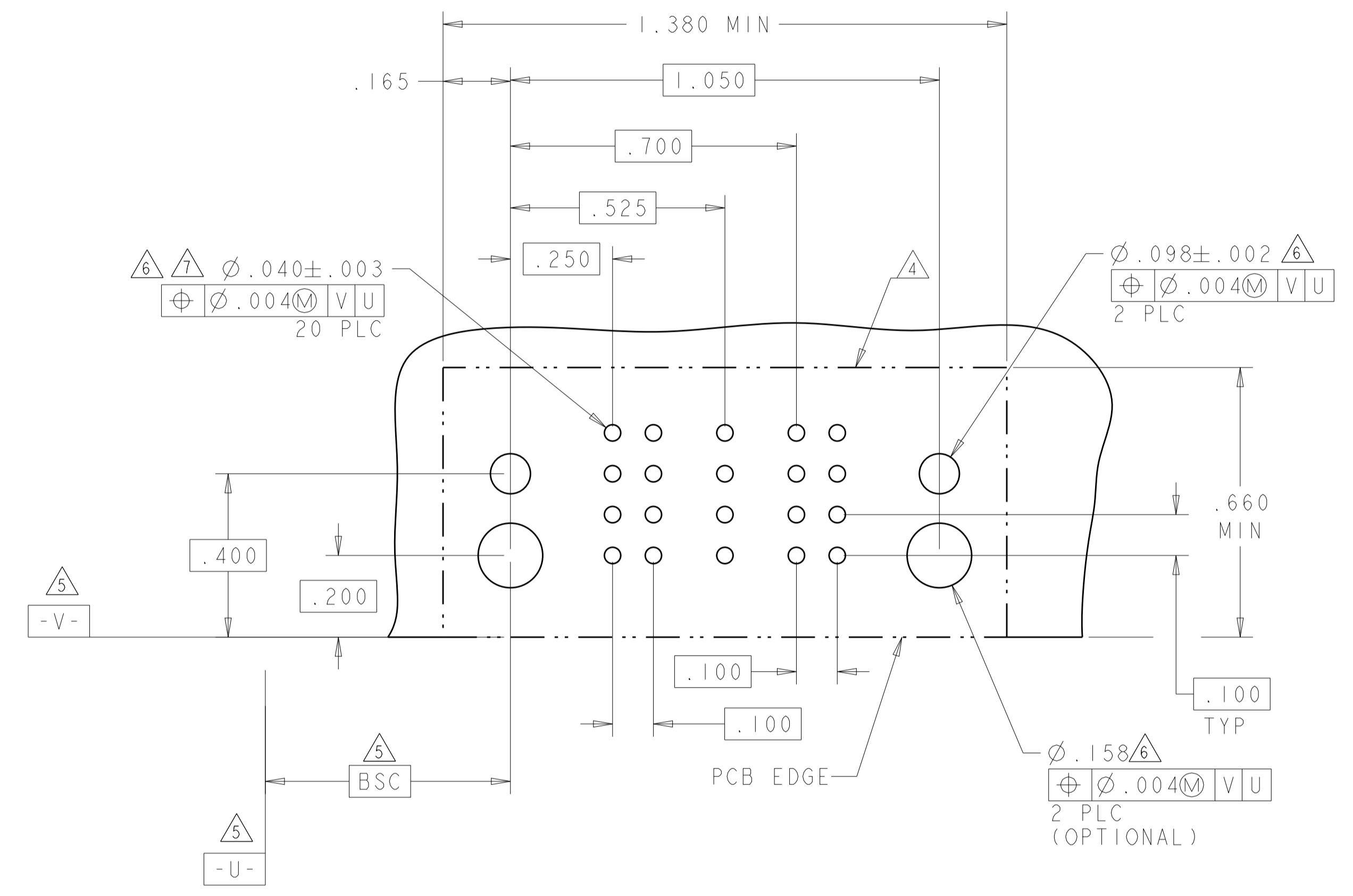
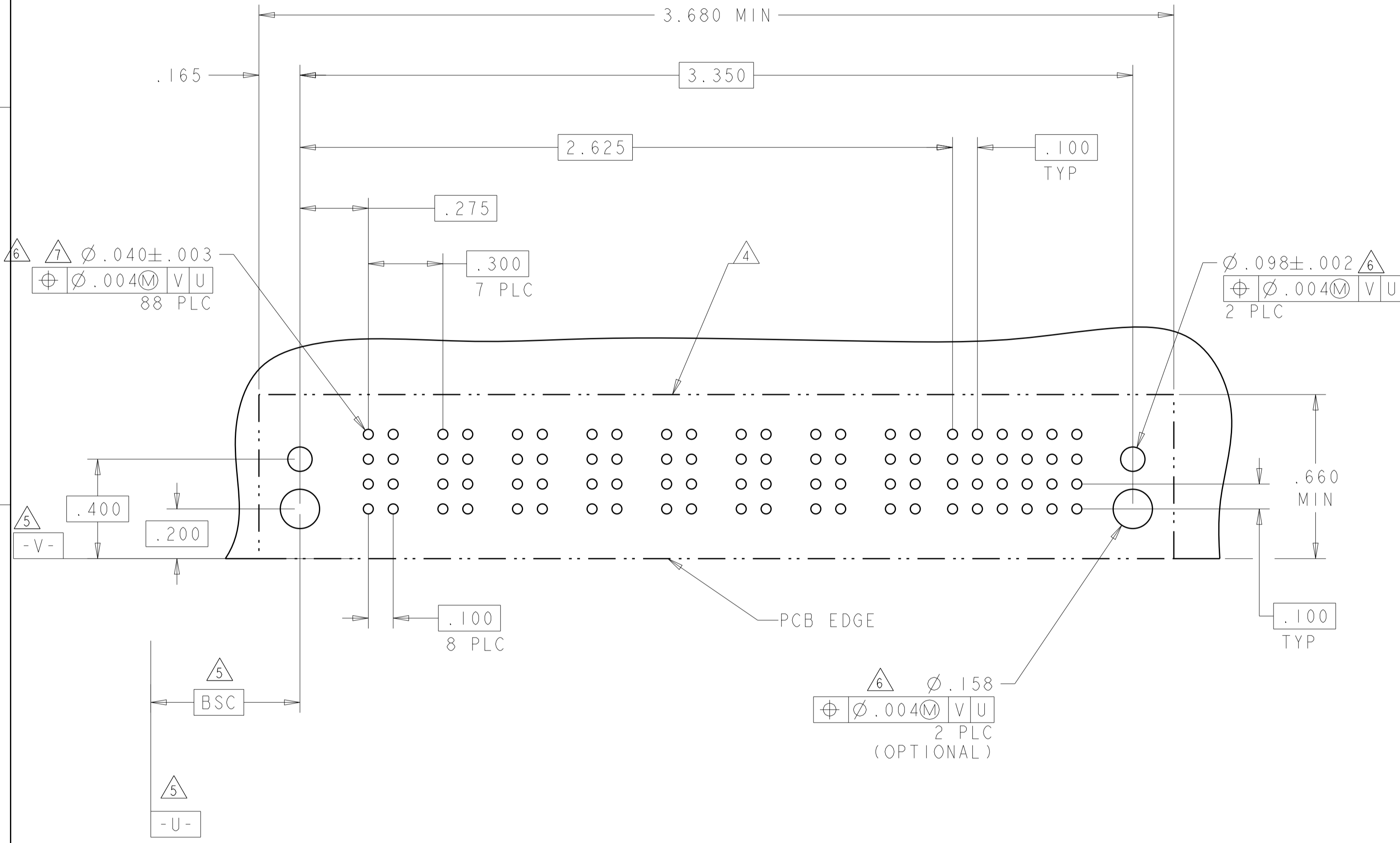
RIGHT ANGLE HEADER ASSEMBLY W/END LATCHES MULTI-BEAM XL

SIZE: A1, CAGE CODE: 100779, DRAWING NO: 6450528, SCALE: 4:1, SHEET 3 OF 7, REV B

LOC	DIST	REVISIONS			
ES	00	REV	DATE	BY	APPV
		-	SEE SHEET 1	-	-

PART NUMBER	ROWS	POWER								SIGNAL					
		P1	P2	P3	P4	P5	P6	P7	P8	1	2	3	4	5	6
6450528-3	D	PT	PT	PT	PT	PT	PT	PT	PT	Z5	Z5	Z5	Z5	Z5	Z5
	C	PT	PT	PT	PT	PT	PT	PT	PT	Y5	Y5	Y5	Y5	Y5	Y5
	B	PT	PT	PT	PT	PT	PT	PT	PT	R5	R5	R5	R5	R5	R5
8ACP + 24S	A	PT	PT	PT	PT	PT	PT	PT	PT	O5	O5	O5	O5	O5	O5

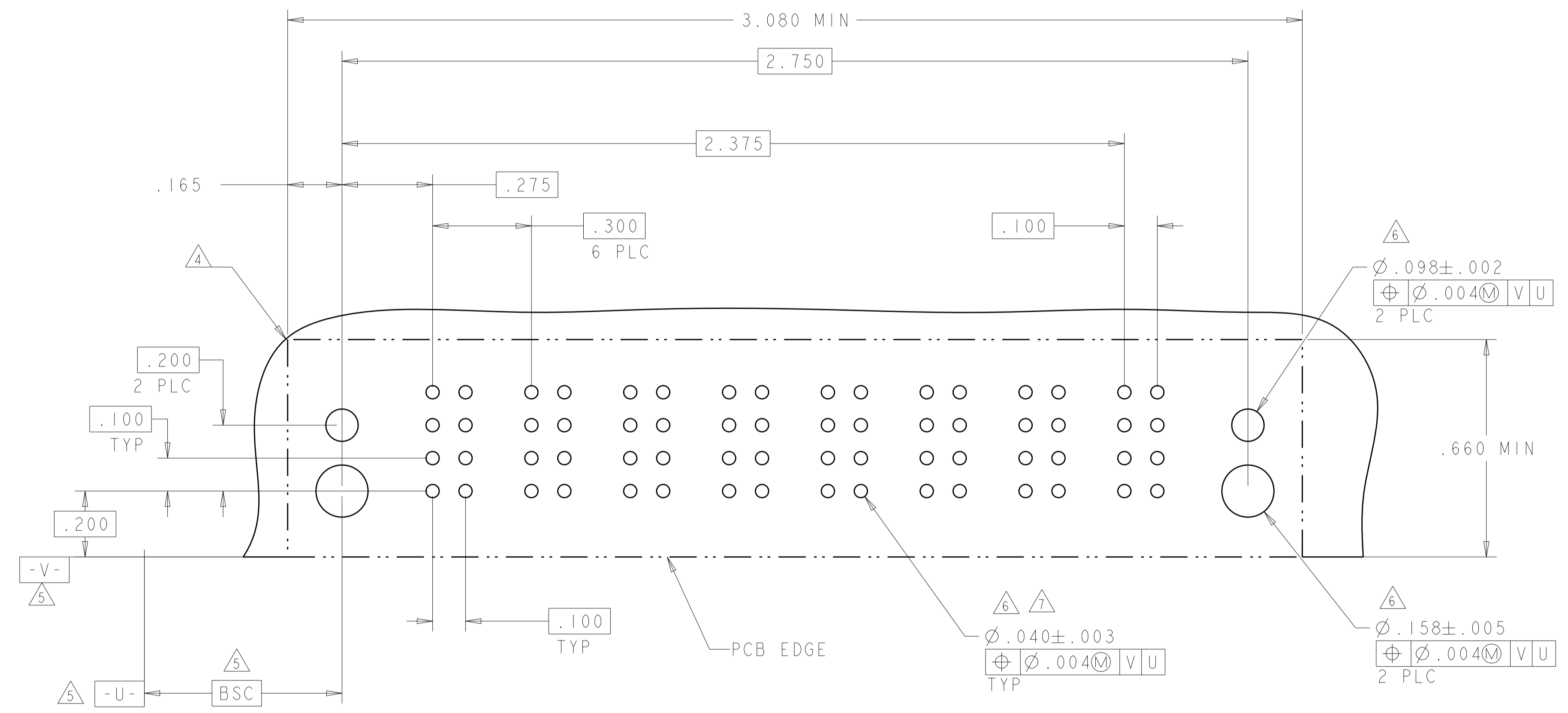
PART NUMBER	ROWS	POWER		SIGNAL		POWER	
		P1	P2	I	P2	P1	P2
6450528-4	D	PT	PT	Z5	PT		
	C	PT	PT	Y5	PT		
	B	PT	PT	R5	PT		
IP + 4S + IP	A	PT	PT	O5	PT		



THIS DRAWING IS A CONTROLLED DOCUMENT.		OWN: CECILY.ZHOU 25JUL2006	 TE Connectivity
DIMENSIONS: INCHES		CHK: S.ZHAO 25JUL2006	
TOLERANCES UNLESS OTHERWISE SPECIFIED:		APVD: S.ZHAO 25JUL2006	NAME: RIGHT ANGLE HEADER ASSEMBLY W/END LATCHES MULTI-BEAM XL
0 PLC ±. 1 PLC ±. 2 PLC ±.01 3 PLC ±.05 4 PLC ±.0020 ANGLES ±.7°		PRODUCT SPEC: 108-1973	SIZE: 114-13038
MATERIAL: -		APPLICATION SPEC: 114-13038	RESTRICTED TO: -
FINISH: -		WEIGHT: -	SCALE: 4:1
CUSTOMER DRAWING		SIZE: A100779	SHEET: 4 OF 7
		DRAWING NO: 6450528	REV: B

LOC	DIST	REVISIONS					
		P	LTN	DESCRIPTION	DATE	DWN	APVD
ES	00	-	-	SEE SHEET 1	-	-	-

PART NUMBER	ROWS	POWER							SIGNAL		HD
		P1	P2	P3	P4	P5	P6	P7	1	2	
6450528-6	D C B A	HD	PT	PT	PT	PT	PT	PT	Z5	Z5	HD
									Y5	Y5	
									R5	R5	
									O5	O5	
7ACP + 8S											



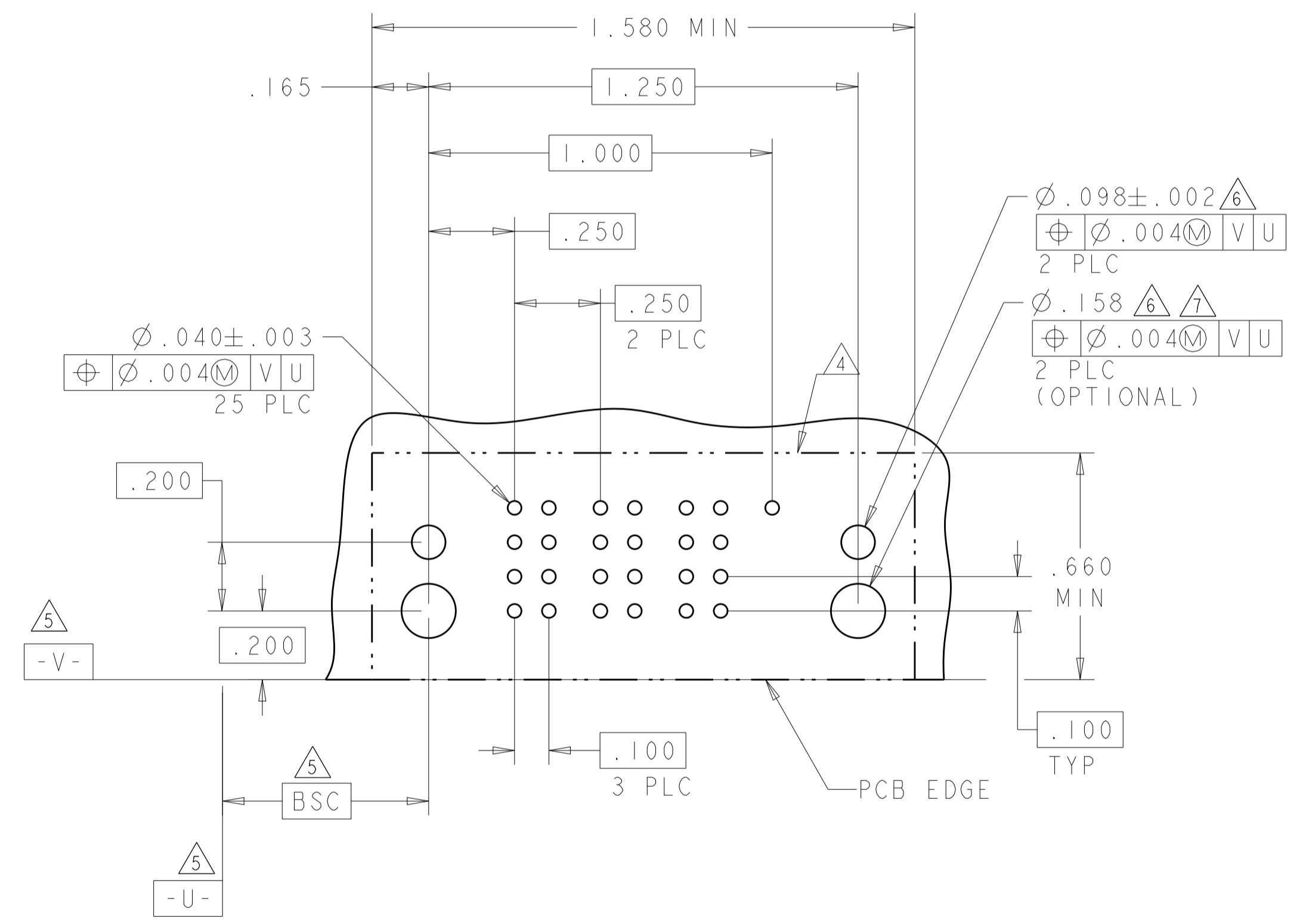
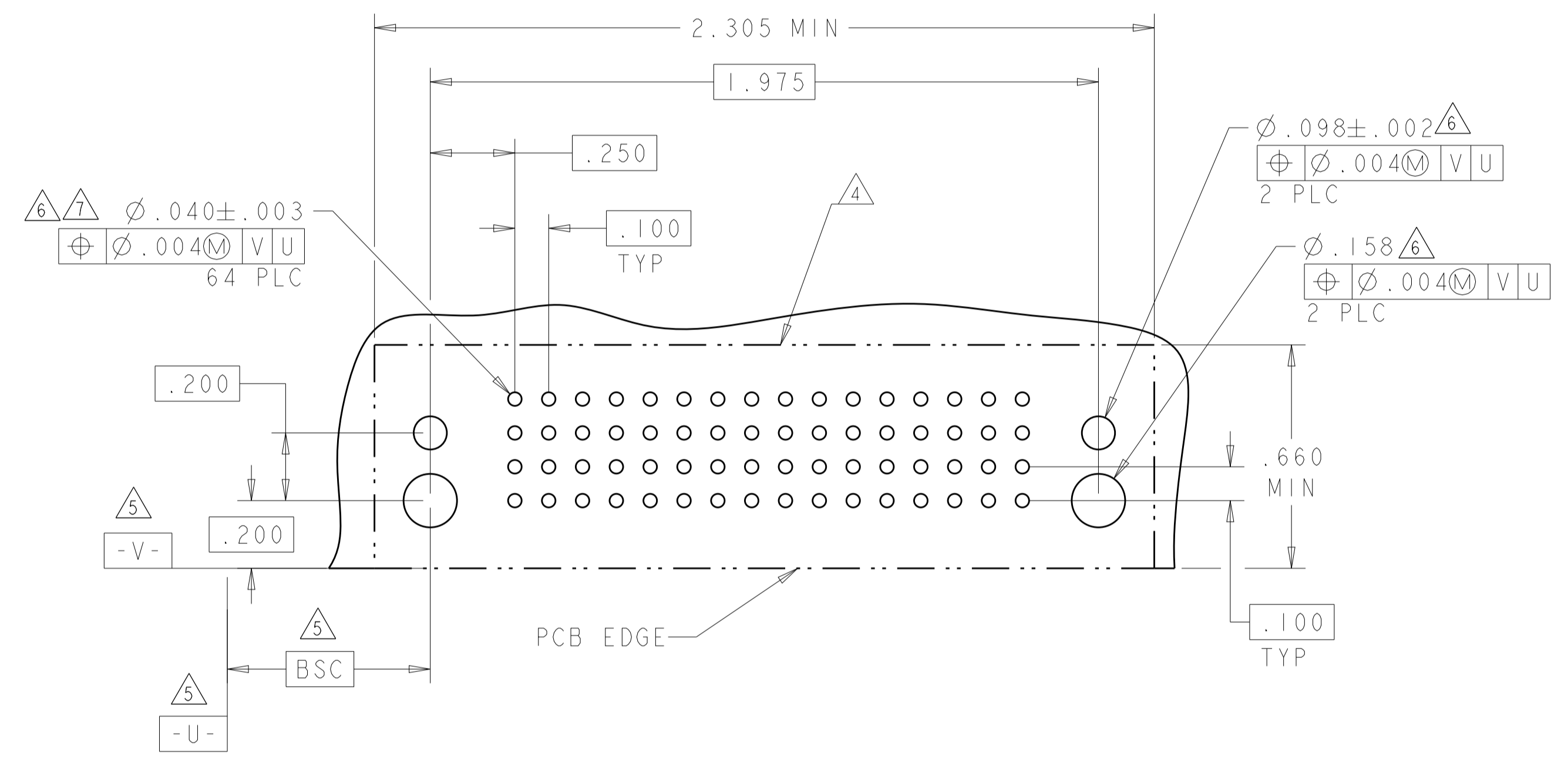
DIMENSIONS:		TOLERANCES UNLESS OTHERWISE SPECIFIED:		MATERIAL:		FINISH:	
INCHES		0 PLC	±				
		1 PLC	±.01				
		2 PLC	±.05				
		3 PLC	±.0020				
		4 PLC	±.0020				
		ANGLES	±.0020				

THIS DRAWING IS A CONTROLLED DOCUMENT.		OWN: CECILY.ZHOU 25JUL2006	 TE Connectivity
		CHK: S.ZHAO 25JUL2006	
		APVD: S.ZHAO 25JUL2006	NAME: RIGHT ANGLE HEADER ASSEMBLY W/END LATCHES MULTI-BEAM XL
		PRODUCT SPEC: 108-1973	SIZE: A100779
		APPLICATION SPEC: 114-13038	DRAWING NO: C=6450528
		WEIGHT: -	RESTRICTED TO: -
		CUSTOMER DRAWING	SCALE: 4:1 SHEET 6 OF 7 REV B

LOC	DIST	REVISIONS					
ES	00	P	LTN	DESCRIPTION	DATE	DWN	APVD
		-		SEE SHEET 1		-	-

PART NUMBER	ROWS	SIGNAL														POWER				
		1	2	3	4	5	6	7	8	9	10	11	12	13	14	15	16	P5	P6	P7
6450528-7	D C B A	Z5	Z5	Z5	Z5	Z5	Z5	Z5	Z5	Z5	Z5	Z5	Z5	Z5	Z5	Z5				
		Y5	Y5	Y5	Y5	Y5	Y5	Y5	Y5	Y5	Y5	Y5	Y5	Y5	Y5	Y5				
		R5	R5	R5	R5	R5	R5	R5	R5	R5	R5	R5	R5	R5	R5	R5				
64S		05	05	05	05	05	05	05	05	05	05	05	05	05	05					

PART NUMBER	ROWS	POWER			SIGNAL
		P1	P2	P3	I
6450528-8	D C B A				Z5
		PT	PT	PT	
3P + 4S					



NO CONTACTS LOADED

THIS DRAWING IS A CONTROLLED DOCUMENT.		DWN: G. CECILY, ZHOU	25JUL2006	 TE Connectivity
DIMENSIONS: INCHES		CHK: S. ZHAO	25JUL2006	
TOLERANCES UNLESS OTHERWISE SPECIFIED:		APVD: S. ZHAO	25JUL2006	NAME: RIGHT ANGLE HEADER ASSEMBLY W/END LATCHES MULTI-BEAM XL
0 PLC ±. 1 PLC ±. 2 PLC ±.01 3 PLC ±.005 4 PLC ±.0020 ANGLES ±.2°		PRODUCT SPEC: 108-1973	APPLICATION SPEC: 114-13038	SIZE: A100779
MATERIAL: -		FINISH: -	WEIGHT: -	CAGE CODE: 6450528
CUSTOMER DRAWING		SCALE: 4:1		SHEET 7 OF 7 REV B

单击下面可查看定价，库存，交付和生命周期等信息

[>>TE Connectivity\(泰科\)](#)