

THIS DRAWING IS UNPUBLISHED.

RELEASED FOR PUBLICATION

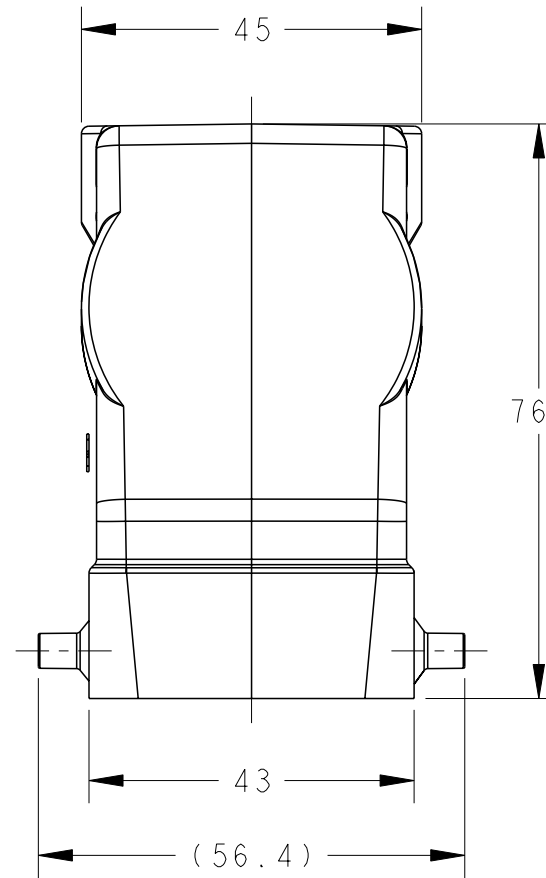
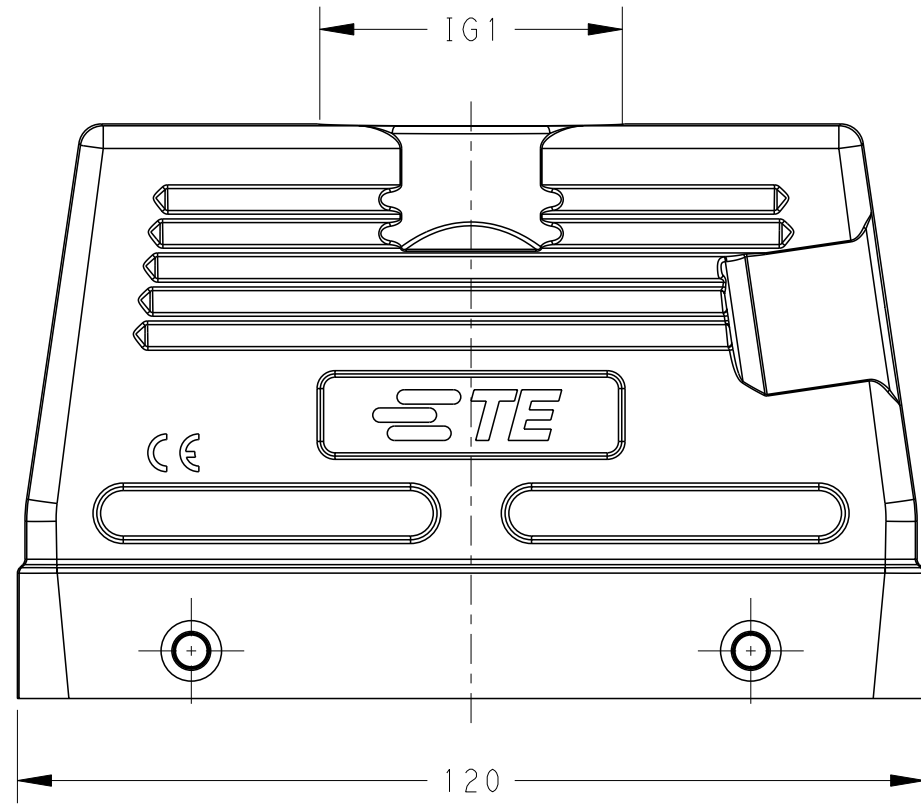
20

© COPYRIGHT 20 BY -

ALL RIGHTS RESERVED.

REVISIONS

P	LTR	DESCRIPTION	DATE	DWN	APVD
	A	INITIAL	01JUN2015	DW	CW
	B	ECR-20-014876	04NOV2020	WQR	CW

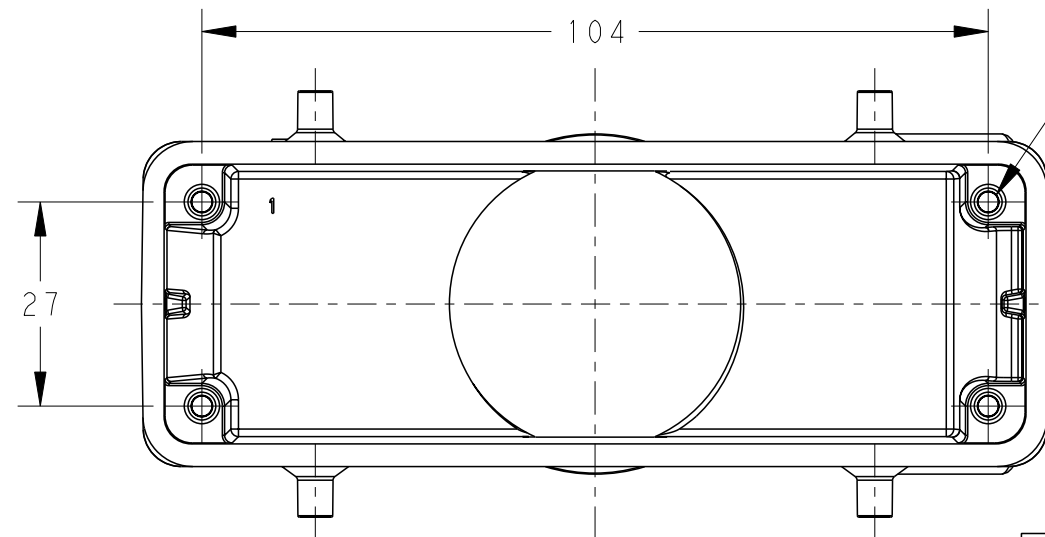
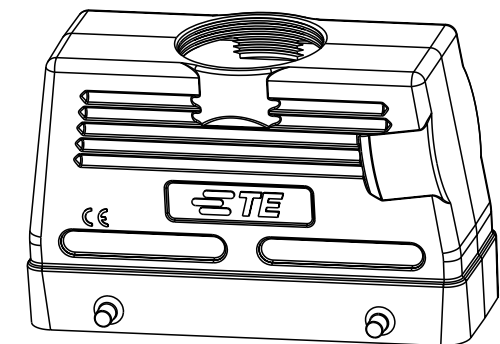


NOTES:

- 1. TECHNICAL CHARACTERISTICS:
HOOD MATERIAL: DIE CAST ALUMINIUM ALLOY
SURFACE: POWDER COATED, GREY
DEGREE OF PROTECTION: IP65 (MATED)

注释:

- 1. 技术参数:
上壳材料: 铝合金
表面处理: 粉末涂层, 灰色
防护等级: IP65(配合)



T1240240140-000	H24B-TGH-M40	HIGH CONSTRUCTION	M40
T1240240136-000	H24B-TGH-M36		M36
T1240240132-000	H24B-TGH-M32		M32
T1240240129-000	H24B-TGH-PG29		PG29
T1240240125-000	H24B-TGH-M25		M25
T1240240121-000	H24B-TGH-PG21		PG21
PART NUMBER	DESCRIPTION	TYPE	IG1

THIS DRAWING IS A CONTROLLED DOCUMENT.

DIMENSIONS:	TOLERANCES UNLESS OTHERWISE SPECIFIED:
mm	
	0 PLC ±-
	1 PLC ±-
	2 PLC ±-
	3 PLC ±-
	4 PLC ±-
	ANGLES ±-
MATERIAL	FINISH
-	-
-	-

DWN	01JUN2015
David Wang	
CHK	01JUN2015
Chris Wang	
APVD	01JUN2015
Xiang Xu	
PRODUCT SPEC	108-137013
APPLICATION SPEC	114-137013
WEIGHT	-
Customer Drawing	

		TE Connectivity	
		NAME	
H24B-TGH-M/PG		SIZE	CAGE CODE
DRAWING NO		RESTRICTED TO	
A300779		-	
G-T12402401XX000		SCALE	SHEET
1:1		1 OF 1	
REV		B	

printed on 24 Jun 2021 10:42 (China Standard Time) from TE343646

A

A

D

D

C

B

单击下面可查看定价，库存，交付和生命周期等信息

[>>TE Connectivity\(泰科\)](#)