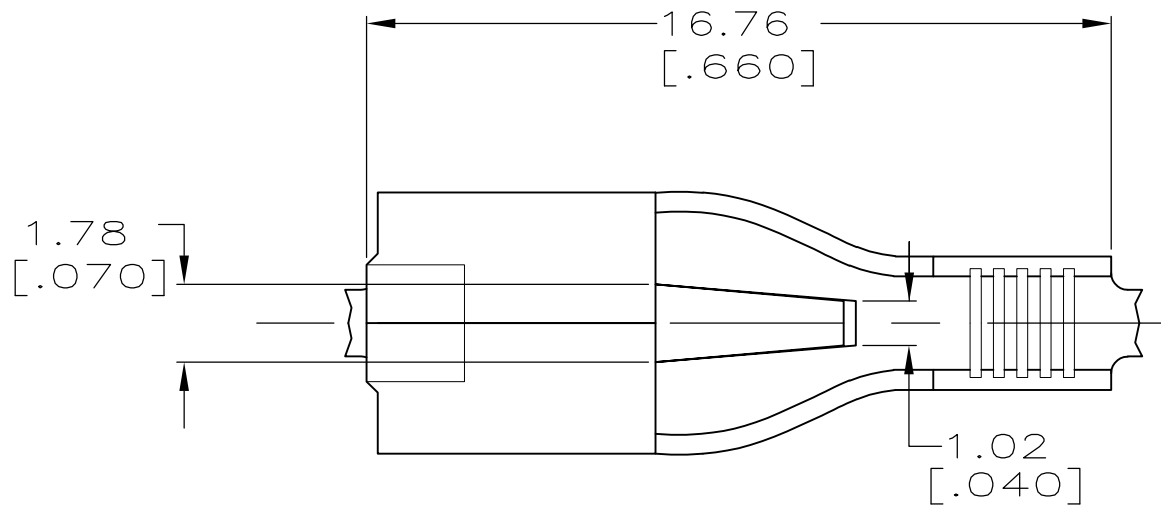
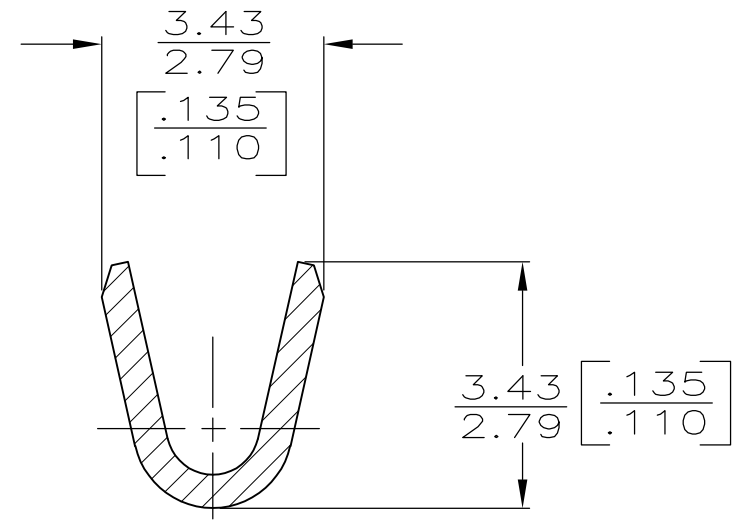
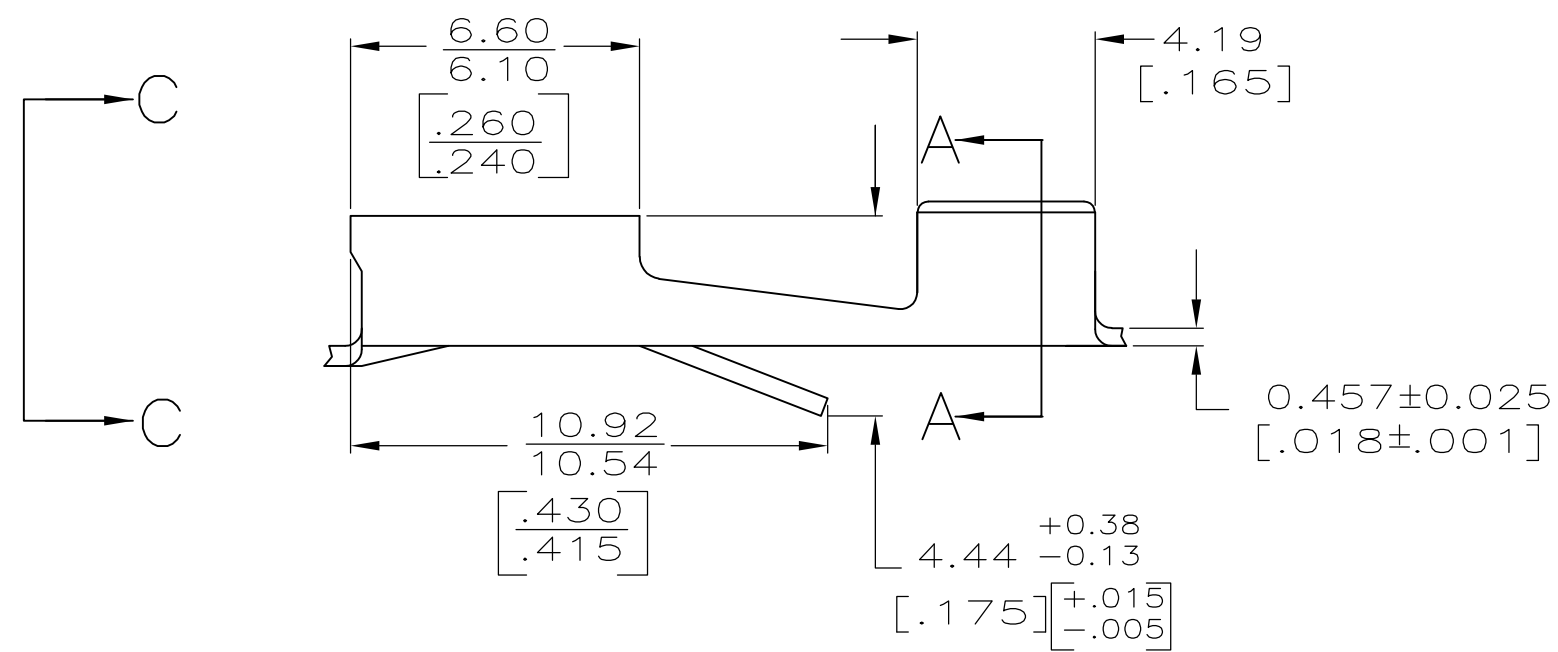


THIS DRAWING IS UNPUBLISHED. RELEASED FOR PUBLICATION
 © COPYRIGHT BY TYCO ELECTRONICS CORPORATION. ALL INTERNATIONAL RIGHTS RESERVED.

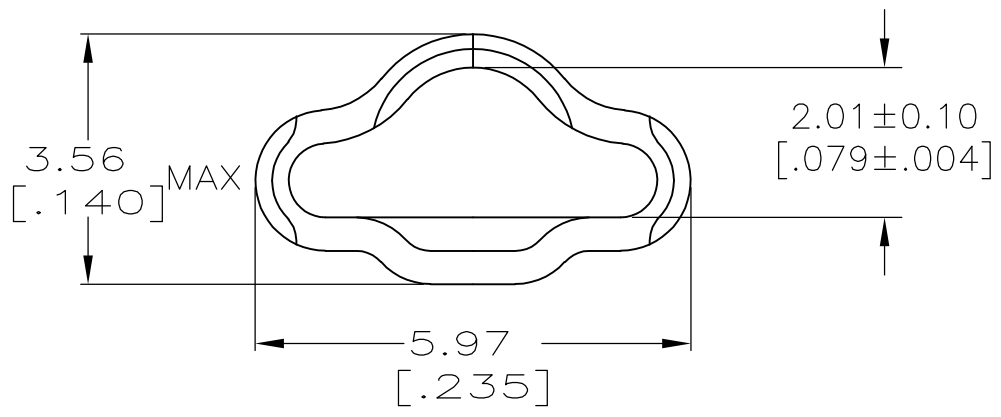
LOC	DIST	REVISIONS			
P	LTR	DESCRIPTION	DATE	DWN	APVD
AF	50	S1	REVISED PER ECR-09-014908	15JUL09	HMR DD



- 1 CONTINUOUS STRIP ON REEL.
- 2 PRELIMINARY - NOT FOR PRODUCTION



SECTION A-A
SCALE 10:1



VIEW C-C
SCALE 10:1

[21-16] AWG MAGNET WIRE	BERYLLIUM COPPER H03 PHOS BRONZE	60177-4 60177-2
WIRE RANGE	MATERIAL	PART NO

THIS DRAWING IS A CONTROLLED DOCUMENT.	
DIMENSIONS: mm [INCHES]	TOLERANCES UNLESS OTHERWISE SPECIFIED:
	0 PLC ± -
	1 PLC ± -
	2 PLC ± 0.25 [.010]
	3 PLC ± -
	4 PLC ± -
	ANGLES ± -
MATERIAL SEE TABLE	FINISH 0.002032 [.000080] MIN TIN PL

DWN PHIL FORTNEY 9/8/93	Tyco Electronics Corporation Harrisburg, PA 17105-3608
CHK JEFF RUTH 9/8/93	
APVD GARY YETTER 9/8/93	
PRODUCT SPEC -	NAME PIN RECEPTACLE, 2.29 [.090] DIA
APPLICATION SPEC -	SIZE A3
WEIGHT -	CAGE CODE 00779
CUSTOMER DRAWING	DRAWING NO G-60177
SCALE 6:1	RESTRICTED TO -
SHEET 1 OF 1	REV S1

单击下面可查看定价，库存，交付和生命周期等信息

[>>TE Connectivity\(泰科\)](#)