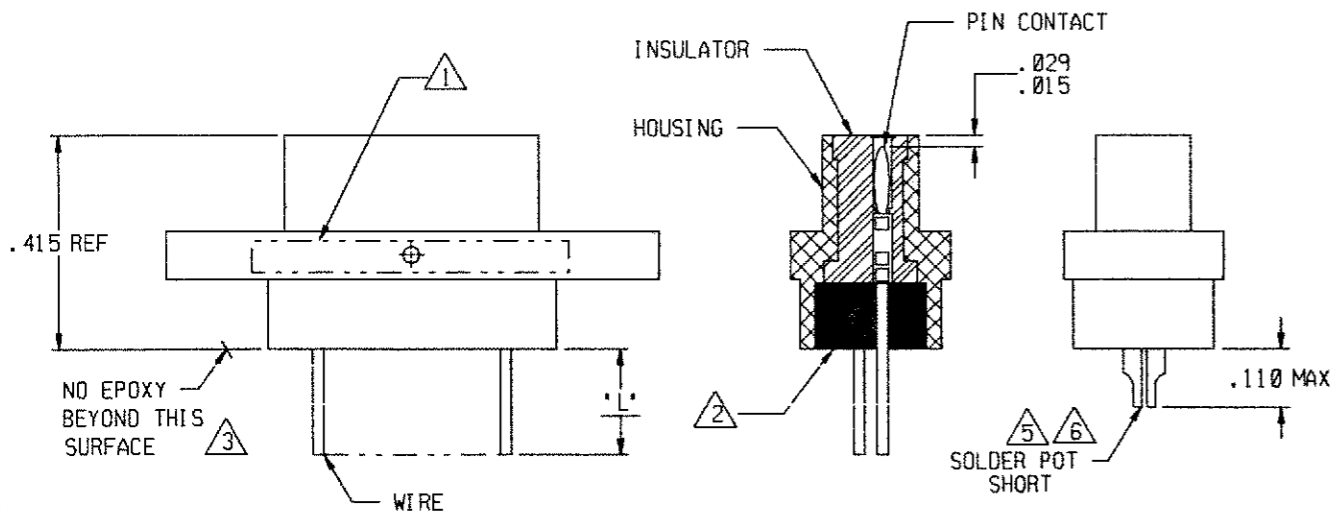
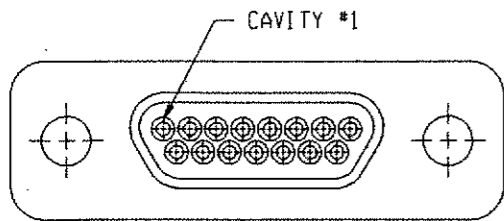
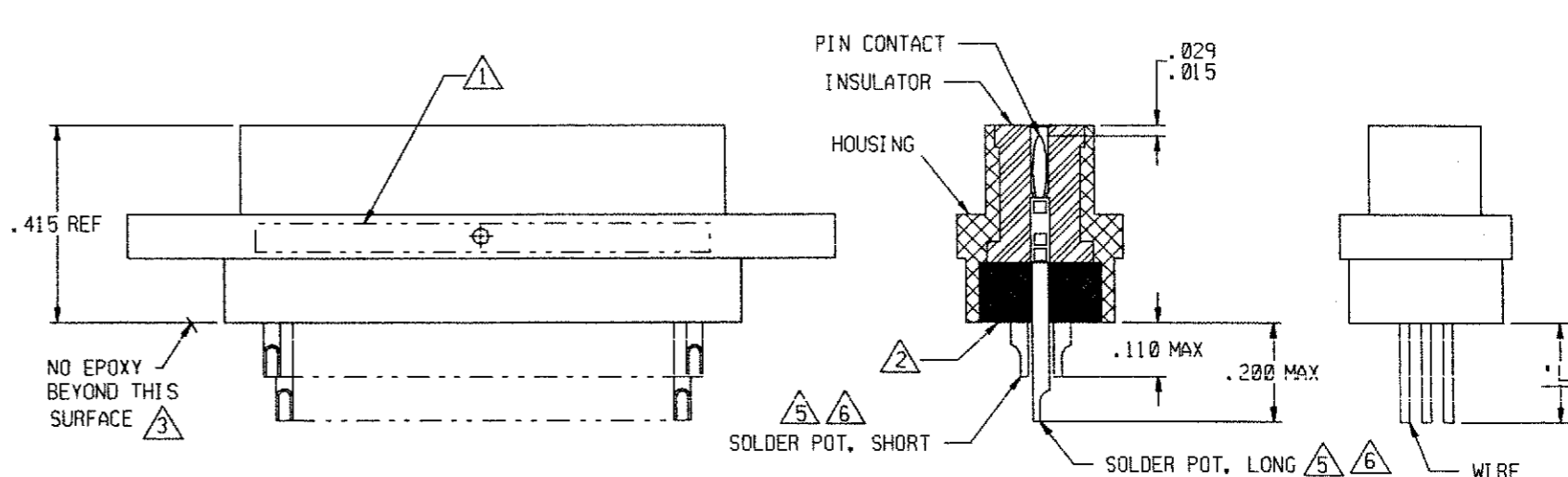
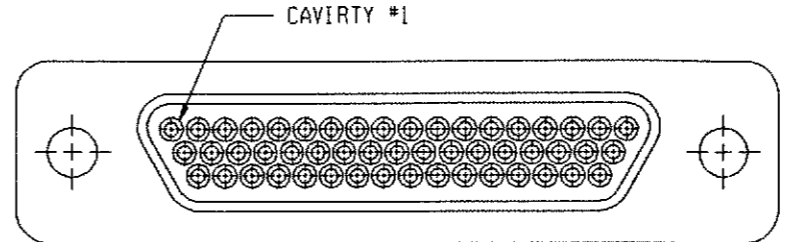


| REVISION | | | | | |
|----------|-----|-----|---------------------------|---------|----------|
| ZONE | LTR | ECN | DESCRIPTION | DATE | APPROVED |
| | C1 | | REVISED PER ECO-11-005139 | 28MAR11 | HMR |



9 THRU 37 CONFIGURATION

(SHOWN WITH WIRE TERMINATIONS FOR REFERENCE ONLY.
SOLDER POT TERMINATIONS ARE THE SAME CONFIGURATION)



51 CONFIGURATION

(SHOWN WITH SOLDER POT TERMINATIONS FOR REFERENCE ONLY.
WIRE TERMINATIONS ARE THE SAME CONFIGURATION)

NOTES: UNLESS OTHERWISE SPECIFIED.

- 1 MARK PER TIS.
- 2 EPOXY AS SHOWN USE 194-8102-6215/6225.
- 3 EPOXY WICKING: UNINSULATED WIRE: .050 MAX
INSULATED WIRE UPTO #25 AWG: .125 MAX
INSULATED WIRE UPTO #24 AWG OR LARGER: .200 MAX
- 4. CRIMP LEADS INTO CONTACTS PER MEP302-05.
- 5 NO SCRATCHES SHOWING BASE METAL PERMITTED ON SOLDER POTS.
- 6 CHAMFER ON SOLDER POTS ARE TO BE PARALLEL WITH SIDES OF CONNECTOR WITHIN 10°.

TE CONNECTIVITY 7-1532141-2
Micro P/N 094-0000-0011

| UNLESS OTHERWISE SPECIFIED DIMENSIONS ARE IN INCHES. TOLERANCE ARE: | | APPROVALS | | TE Connectivity | |
|---|--------------------------|-----------|--------------------|-----------------|--|
| FRACTIONS | DECIMALS | ANGLES | SIGNATURE | DATE | METAL SHELL "D" CONNECTOR PLUG, PER MIL-PRF-83513 SIZE 9 THRU 51 |
| ± 1/8 | .XX ± .01 .XXX ± .005 | ± 2° | <i>[Signature]</i> | 4/2/99 | |
| MATERIAL: | | | P.E. | | SIZE CODE IDENT NO. DRAWING NO. B 98278 7-1532141-2 |
| FINISH: | | | M.E. | | |
| | | | Q.A. | | SCALE: NONE SHEET 1 OF 1 |

单击下面可查看定价，库存，交付和生命周期等信息

[>>TE Connectivity\(泰科\)](#)