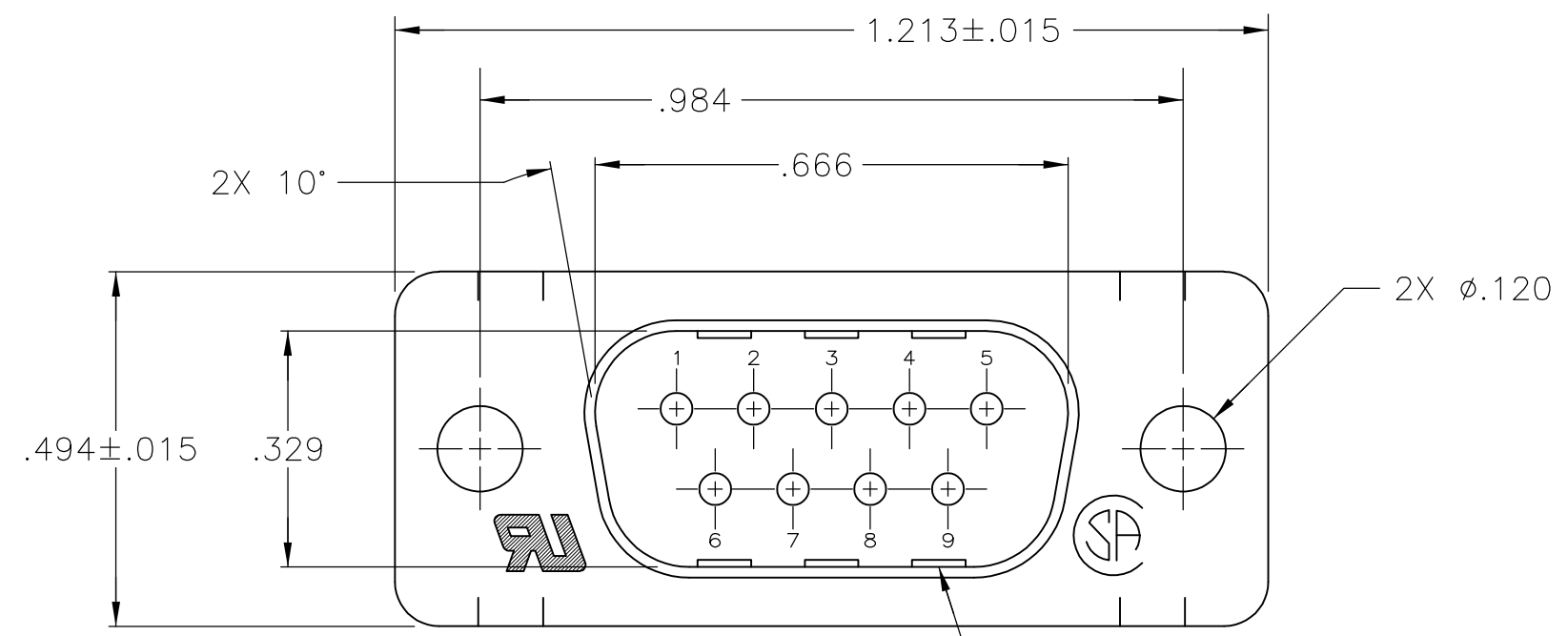
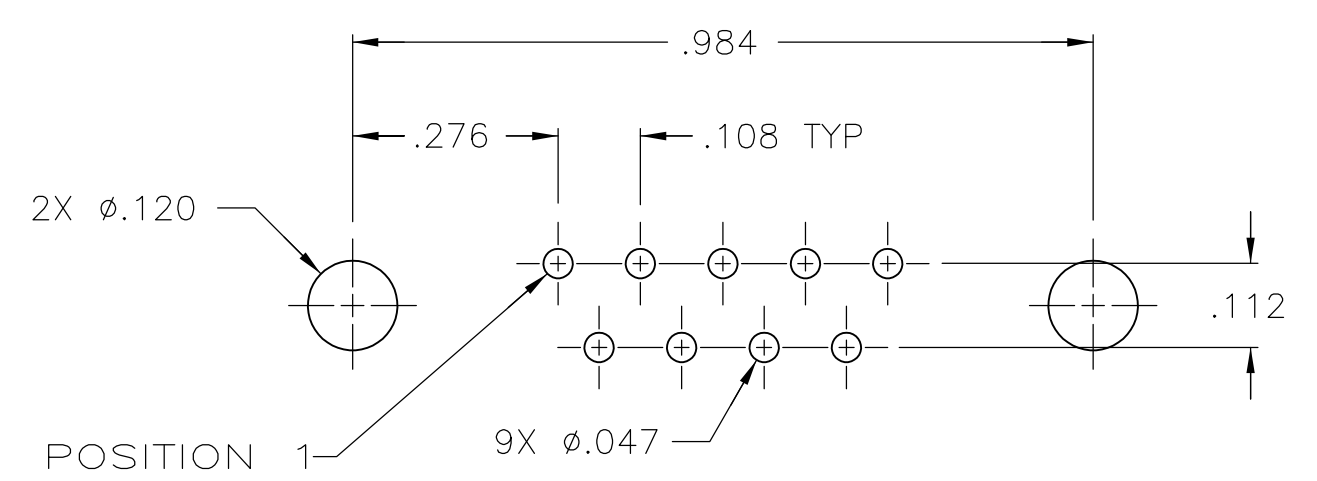
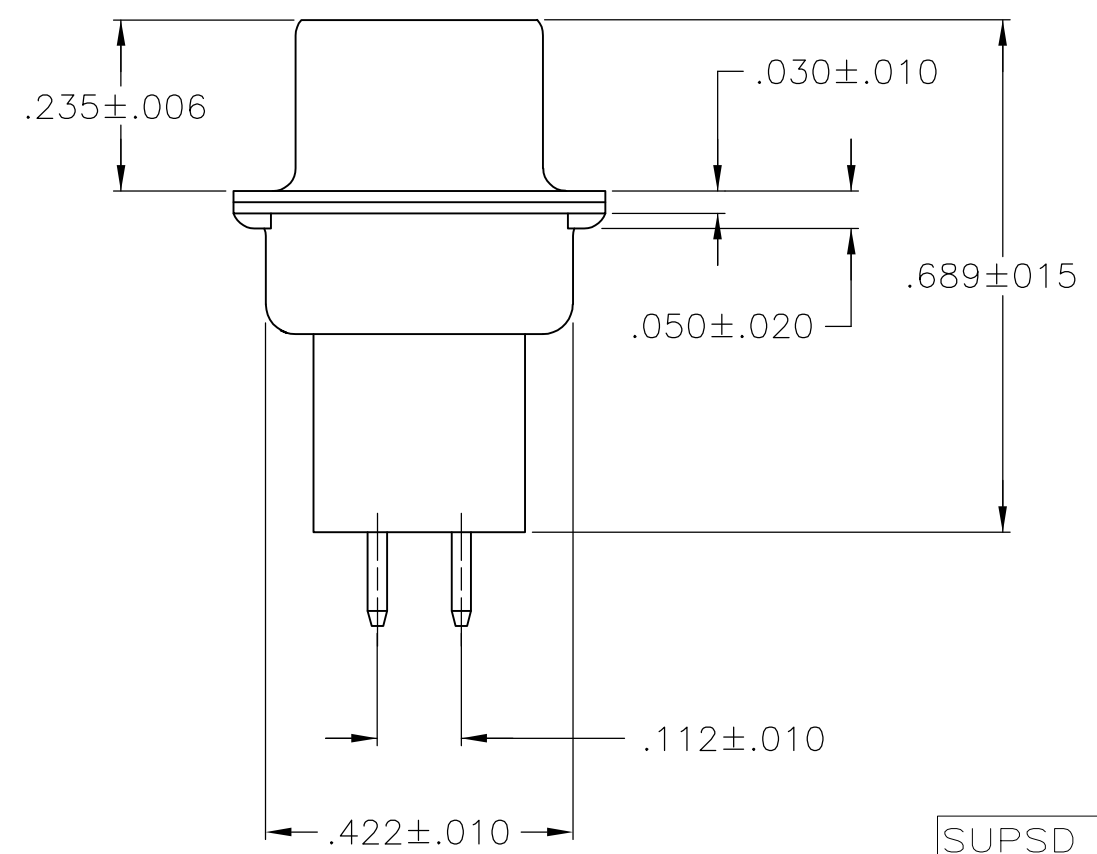
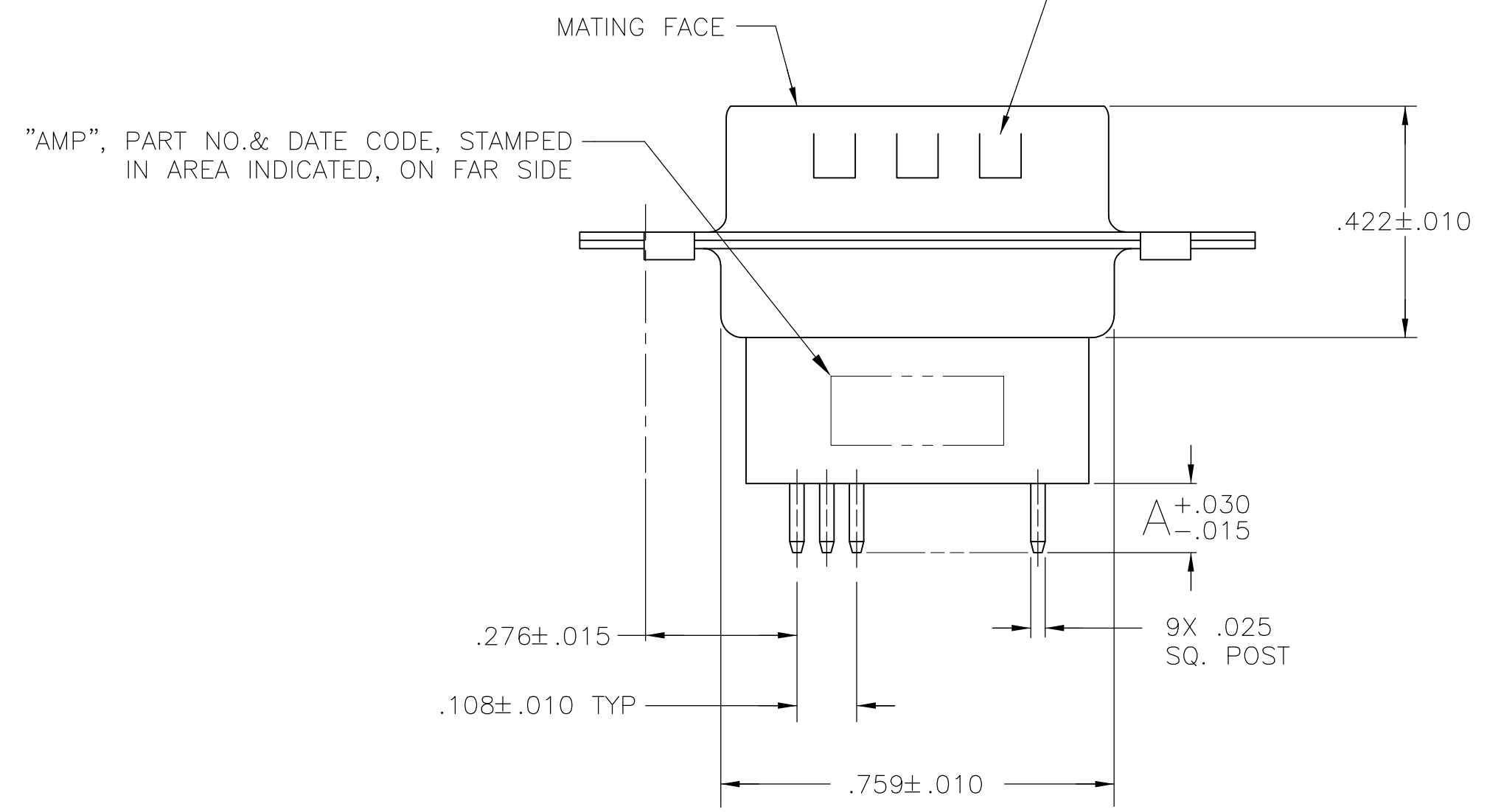


THIS DRAWING IS UNPUBLISHED. RELEASED FOR PUBLICATION  
 © COPYRIGHT BY TYCO ELECTRONICS CORPORATION. ALL RIGHTS RESERVED.

LOC	DIST	REVISIONS			
P	LTR	DESCRIPTION	DATE	DWN	APVD
GP	00	REVISED PER ECO-10-000073	18FEB2010	CJV	SB



- 1. NOTE DELETED.
- 2. MOLDED PARTS: FLAME RETARDANT 94V-0 RATED THERMOPLASTIC; COLOR, BLACK  
CONTACT: BRASS  
SHELLS: STEEL
- 3. GOLD FLASH ON MATING END, .000100 MIN TIN-LEAD ON SOLDER END, ALL OVER .000050 MIN NICKEL.
- 4. GOLD PLATED FOR A LENGTH OF .150 FROM MATING END, .000030 MIN GOLD IN MATED AREA, .000100 MIN TIN-LEAD ON OPPOSITE END, ALL OVER .000050 MIN NICKEL.  
-OR-  
GOLD FLASH OVER PALLADIUM-NICKEL PLATED FOR LENGTH OF .150 MIN FROM MATING END, .000030 MIN TOTAL IN MATED AREA, .000100 MIN TIN-LEAD ON OPPOSITE END, BOTH OVER .000050 MIN NICKEL.
- 5. .000200 MIN TIN OVER .000100 MIN COPPER.



P.C. BOARD MOUNTING DIMENSIONS

SUPSD BY	CONTACT FINISH	DIMENSION A	PART NUMBER
745410-1	4	.332	745410-9
745410-7	3	.188	745410-8
	4	.188	745410-7
OBSOLETE	3	.651	745410-6
SUPSD BY 745410-1	4	.651	745410-5
OBSOLETE	3	.427	745410-4
SUPSD BY 745410-1	4	.427	745410-3
SUPSD BY 745410-1	3	.125	745410-2
	4	.125	745410-1

THIS DRAWING IS A CONTROLLED DOCUMENT.		DWN J. GERACE 10-25-83	Tyco Electronics Corporation Harrisburg, PA 17105-3608	
DIMENSIONS: INCHES		CHK J. GERACE 10-25-83	NAME B. TAYLOR	
TOLERANCES UNLESS OTHERWISE SPECIFIED:		APVD B. TAYLOR 1-04-84	PRODUCT SPEC 108-40025	
0 PLC ± -		APPLICATION SPEC 114-40013		
1 PLC ± -		SIZE A2		
2 PLC ± -		CAGE CODE 00779		
3 PLC ± .005		DRAWING NO C=745410		
4 PLC ± -		RESTRICTED TO -		
ANGLES ± 2°		SCALE NTS		
FINISH SHELLS: 5		SHEET 1 of 1		
CONTACTS: SEE TABLE		REV L		

745410

单击下面可查看定价，库存，交付和生命周期等信息

[>>TE Connectivity\(泰科\)](#)