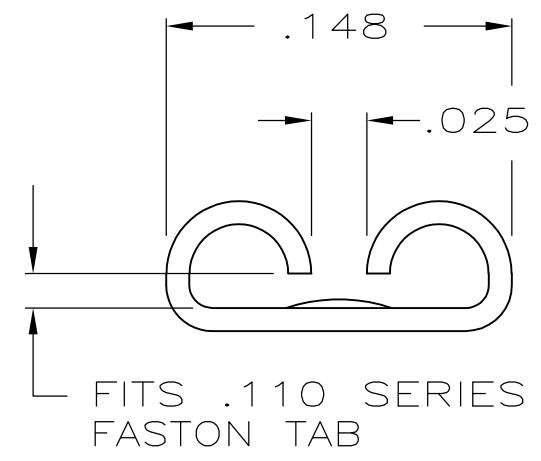
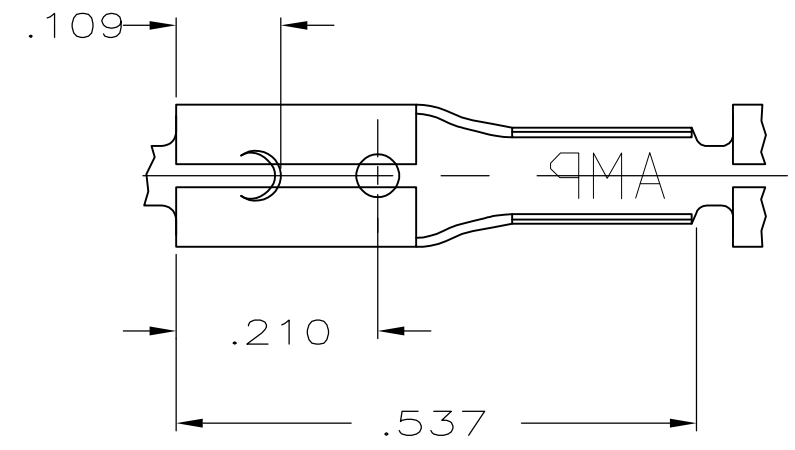


THIS DRAWING IS UNPUBLISHED. RELEASED FOR PUBLICATION  
 © COPYRIGHT - By - ALL RIGHTS RESERVED.

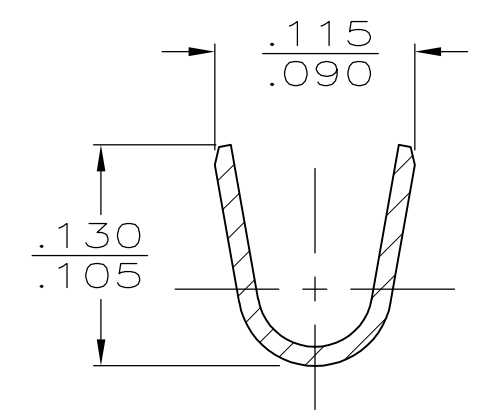
LOC	DIST	REVISIONS			
P	LTR	DESCRIPTION	DATE	DWN	APVD
AF	50	B	REVISED PER ECR-12-013445	18OCT12	KH PD

1 CONTINUOUS STRIP ON REELS.

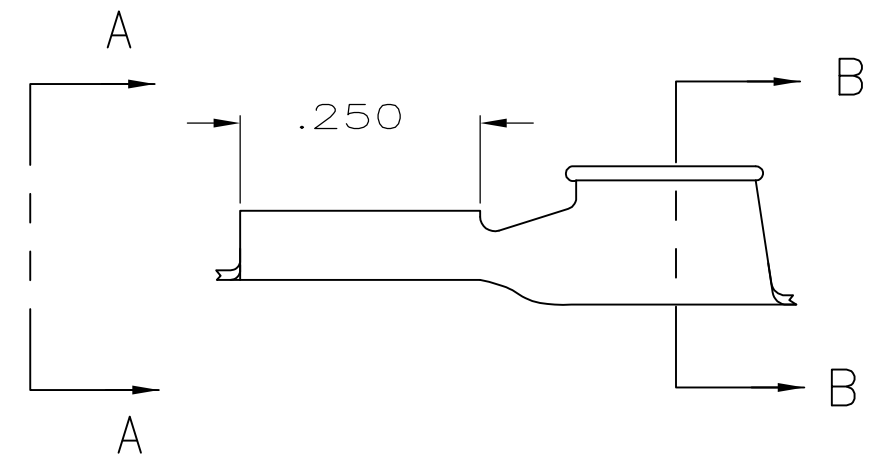


FITS .110 SERIES FASTON TAB


VIEW A-A



SECTION B-B



20-16	.020 ±.001	41500
WIRE SIZE	TAB THK.	PART NO.

THIS DRAWING IS A CONTROLLED DOCUMENT.		DWN KIRAN HOLAL 28DEC2012	 TE Connectivity	
DIMENSIONS: INCHES		CHK DESANTIS, PETER 28DEC2012		
TOLERANCES UNLESS OTHERWISE SPECIFIED:		APVD DESANTIS, PETER 28DEC2012	NAME .110 SERIES FASTON, RECEPTACLE	
0 PLC ± - 1 PLC ± - 2 PLC ± - 3 PLC ± .015 4 PLC ± - ANGLES ± -		PRODUCT SPEC -	SIZE A3	
MATERIAL BRASS		FINISH PRE-TIN	APPLICATION SPEC -	CAGE CODE 00779
		WEIGHT -	DRAWING NO C-41500	RESTRICTED TO -
CUSTOMER DRAWING			SCALE NTS	SHEET 1 OF 1
			REV B	

单击下面可查看定价，库存，交付和生命周期等信息

[>>TE Connectivity\(泰科\)](#)