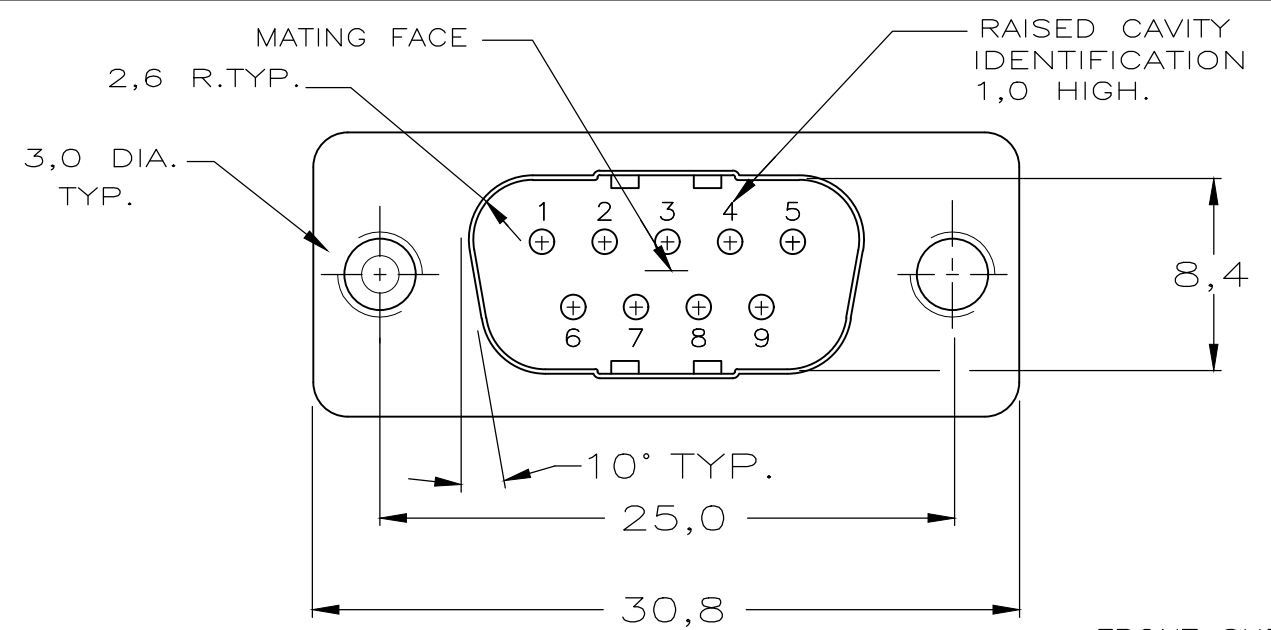


THIS DRAWING IS UNPUBLISHED. RELEASED FOR PUBLICATION
 © COPYRIGHT - By - ALL RIGHTS RESERVED.

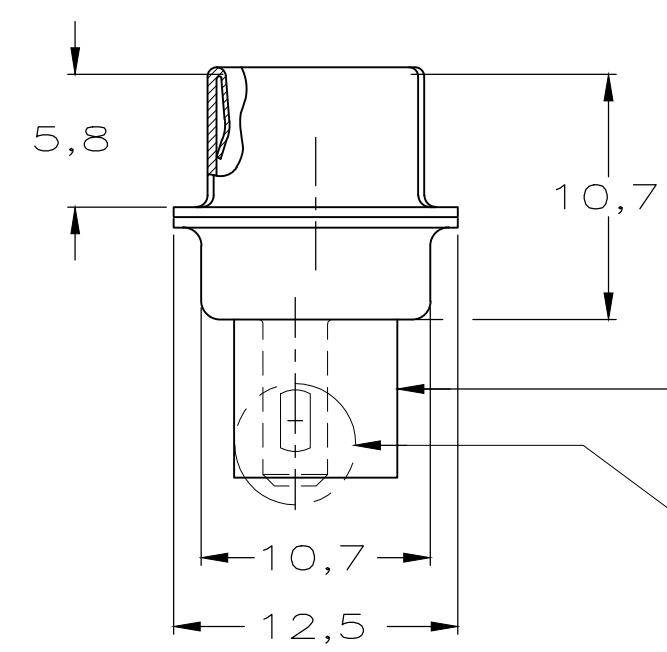
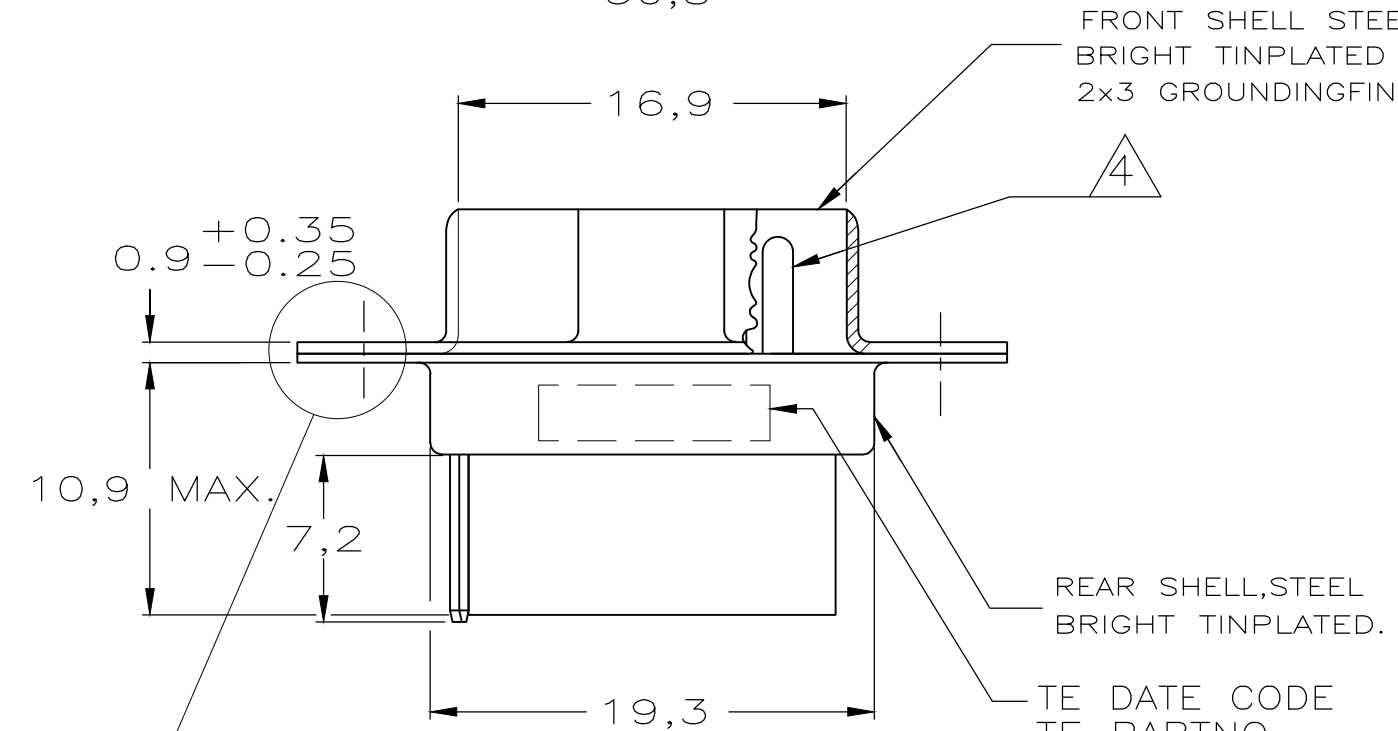
REVISIONS				
P	LTR	DESCRIPTION	DATE	APVD
D		REVISED PER ECO-18-001571	08FEB2018	AP DG



NOTES:

- 1 THIS PLUG ACCEPTS SIZE 20 PIN CONTACTS
- 2 MAXIMUM WIRE INSULATION RECOMMENDED FOR USE WITH THIS PLUG IS 1,73 DIA. MAX..
- 3 RETENTION TINES ARE AN INTEGRAL PART OF INSERT.
- 4 CONTACTS SHOWN FOR ILLUSTRATION ONLY, NO PART OF CONNECTOR PACKAGE, MUST BE ORDERED SEPARATELY.
- 5 FOLLOWING INSERTION/REMOVAL TOOLS ARE RECOMMENDED FOR USE WITH THESE CONNECTORS:
32-28AWG/28-24AWG CONT's 24-20AWG CONTACTS
 91067-3 INSERTION/REMOVAL 91067-2 INSERTION/REMOVAL
 726363-1 INSERTION ONLY 726363-1 INSERTION ONLY
 726364-1 REMOVAL ONLY

FRONT SHELL STEEL, BRIGHT TINPLATED WITH 2x3 GROUNDING FINGERS AT 3,8 PITCH.

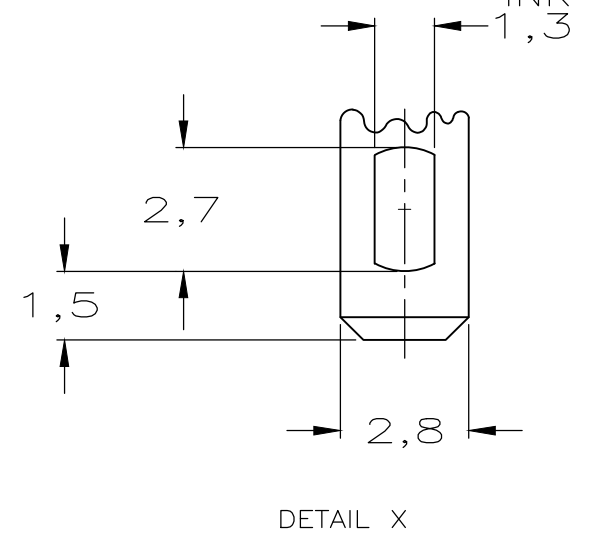
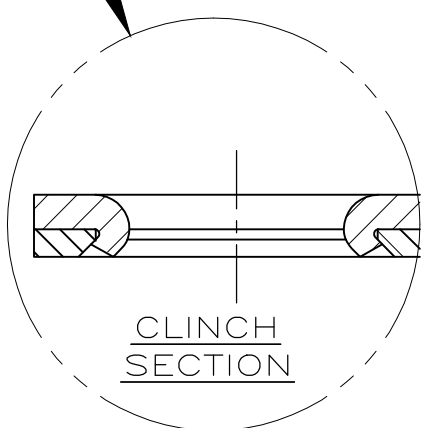


INSERTS: NYLON GLASS-FILLED SELF-EXTINGUISHING COLOR: BLACK

SEE DETAIL X

REAR SHELL, STEEL BRIGHT TINPLATED.

TE DATE CODE
TE PARTNO.
INK STAMPED



(TAB-THICKNESS : 0,4)

THIS DRAWING IS A CONTROLLED DOCUMENT.		DWN L.V.D.HEIJDEN. 30-06-87
		CHK C.V.TILBURG. 07-07-87
		APVD L.V.SOEST. 28-07-87
DIMENSIONS: mm		PRODUCT SPEC
TOLERANCES UNLESS OTHERWISE SPECIFIED:		APPLICATION SPEC
0 PLC	± -	WEIGHT 0.000000
1 PLC	± -	CUSTOMER DRAWING
2 PLC	± -	SCALE -
3 PLC	± -	SHEET 1 OF 1
4 PLC	± -	REV D
ANGLES	± -	
FINISH	-	

SEE DRAWING	SEE DRAWING	215711-1
FINISH	MATERIAL	PARTNUMBER
STE TE Connectivity		
HDP-20 PLUG CONNECTOR, SIZE 1, (9 POSITION) WITH SOLDER TAB.		
SIZE	CAGE CODE	DRAWING NO
A3	00779	C-215711
RESTRICTED TO		-

单击下面可查看定价，库存，交付和生命周期等信息

[>>TE Connectivity\(泰科\)](#)

[>>点击查看相关商品](#)