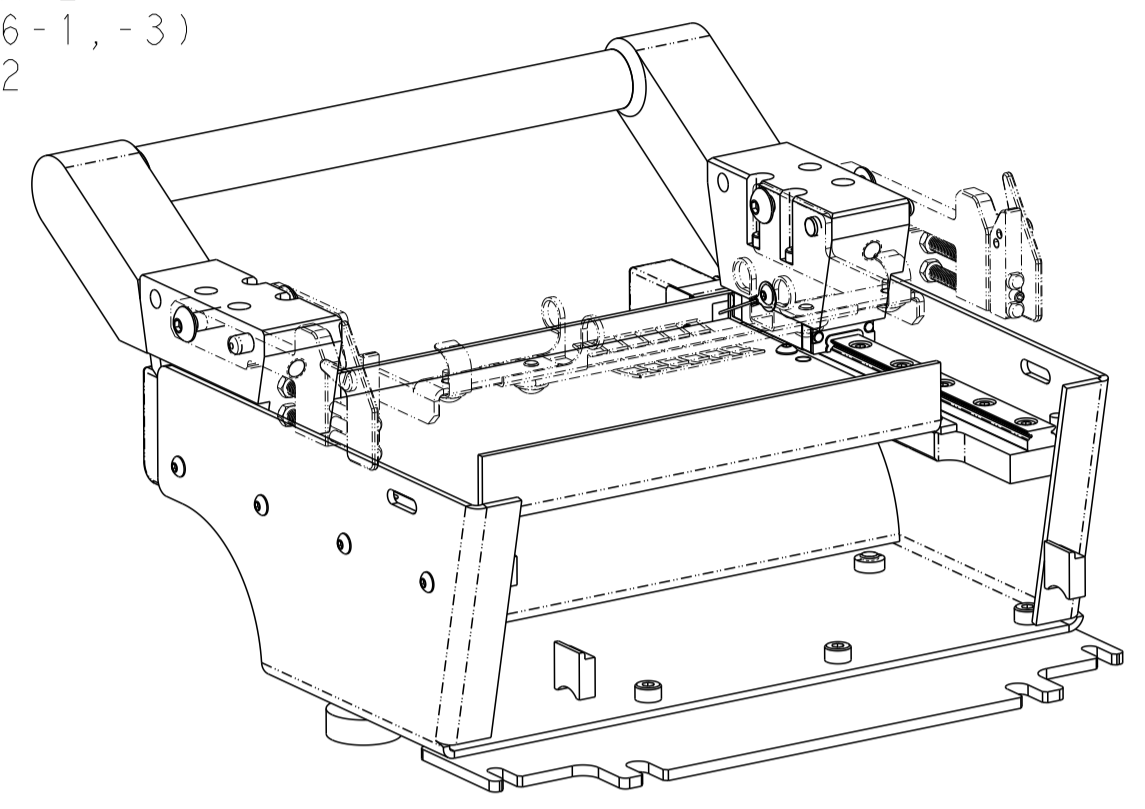


PART NUMBER	REV	FIRST USED	DESC	AIR COOLING	TOOL KIT TYPE
2234786-1	B	2234800-1	RBK FIXTURE, MULTI-TOOL	N	MULTI-TOOL
2234786-2	B	2234800-1	RBK FIXTURE, MULTI-TOOL, A/C	Y	MULTI-TOOL
2234786-3	B	2234800-1	RBK FIXTURE, CAP W/ FLATTEN BRKT	N	CAP WITH FLATTEN BRACKET
2234786-4	B	2234800-1	RBK FIXTURE, CAP W/ FLATTEN BRKT, A/C	Y	CAP WITH FLATTEN BRACKET

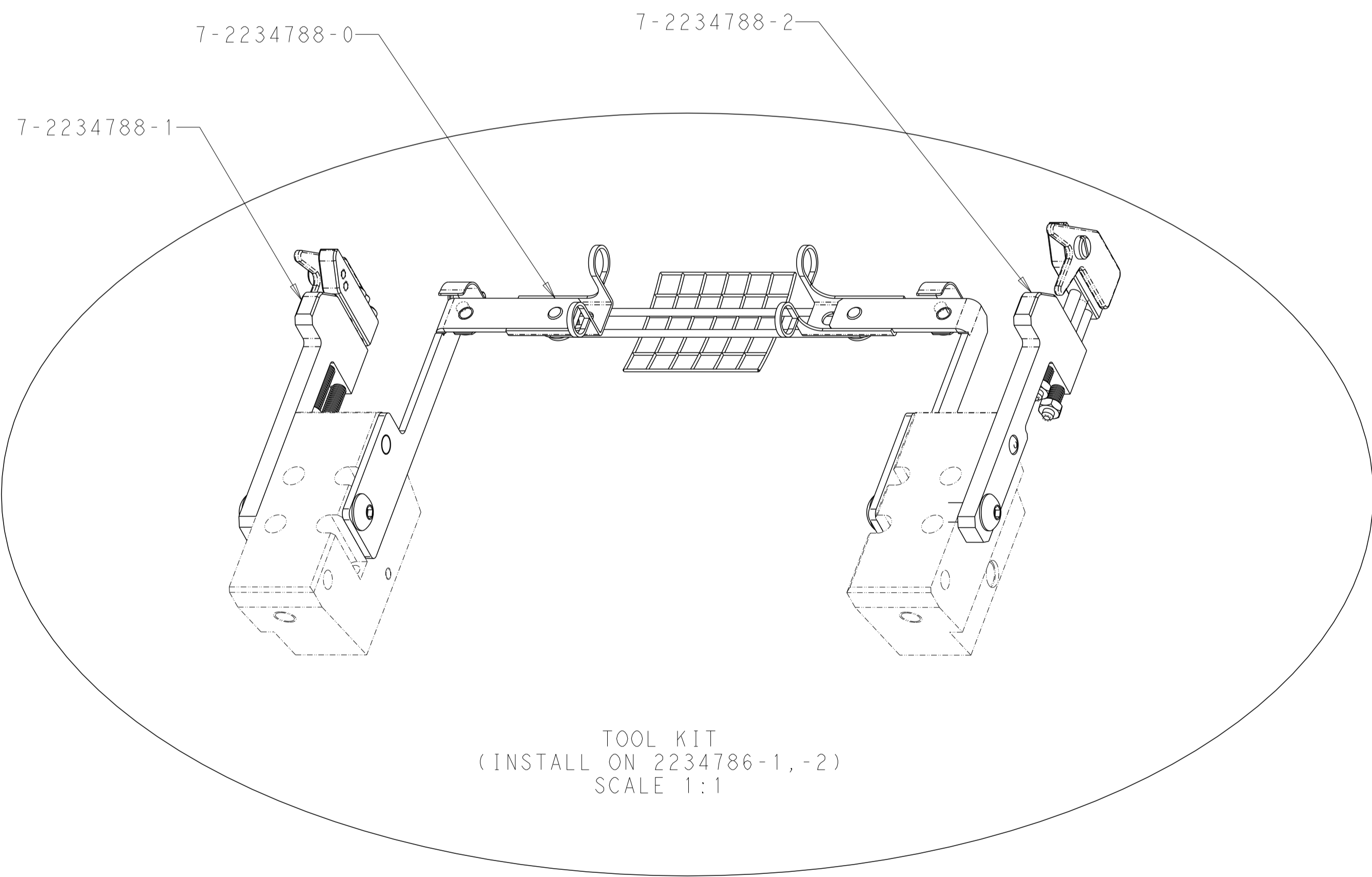
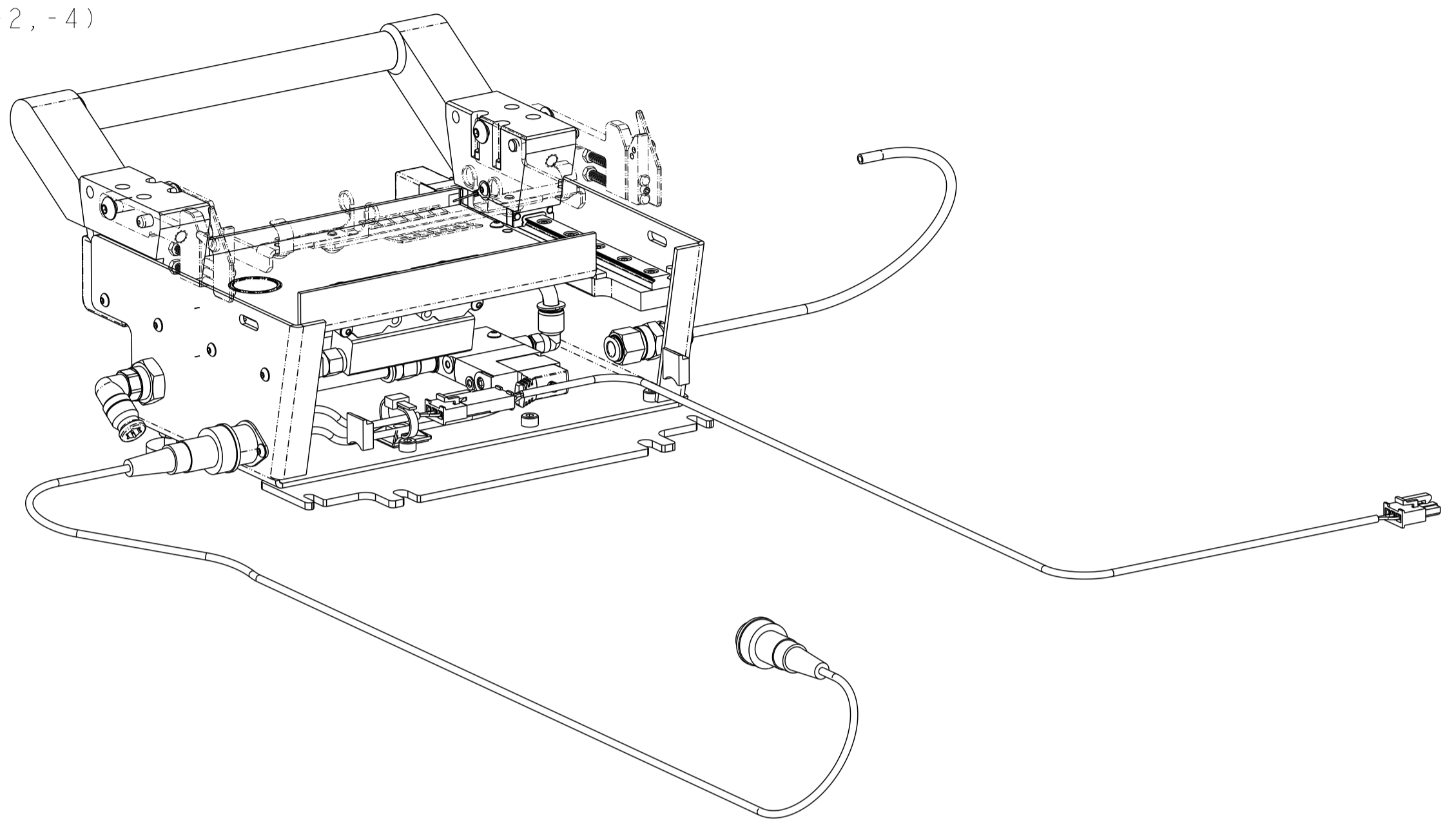
REVISIONS				
P	LTN	DESCRIPTION	DATE	APVD
B		INITIAL RELEASE	04JUL2024	GK CZ

- NOTE:
1. RECOMMENDED SPARE PARTS - (NONE).
 2. IDENTIFY PART PER TEC-115-67-6.
 3. INSTRUCTION SHEET 408-35188.
 4. RBK FIXTURE HAS 2 VERSION:
 VERION 1, WITHOUT AIR COOLING:
 2234786-1
 2234786-3
 VERION 2, WITH AIR COOLING:
 2234786-2
 2234786-4
 5. SOME OTHER OPTIONAL TOOL KIT, SEE SHEET 2.
 6. APPROXIMATE FIXTURE SIZE:
 WIDTH X DEPTH X HEIGHT=170X180X135 MM

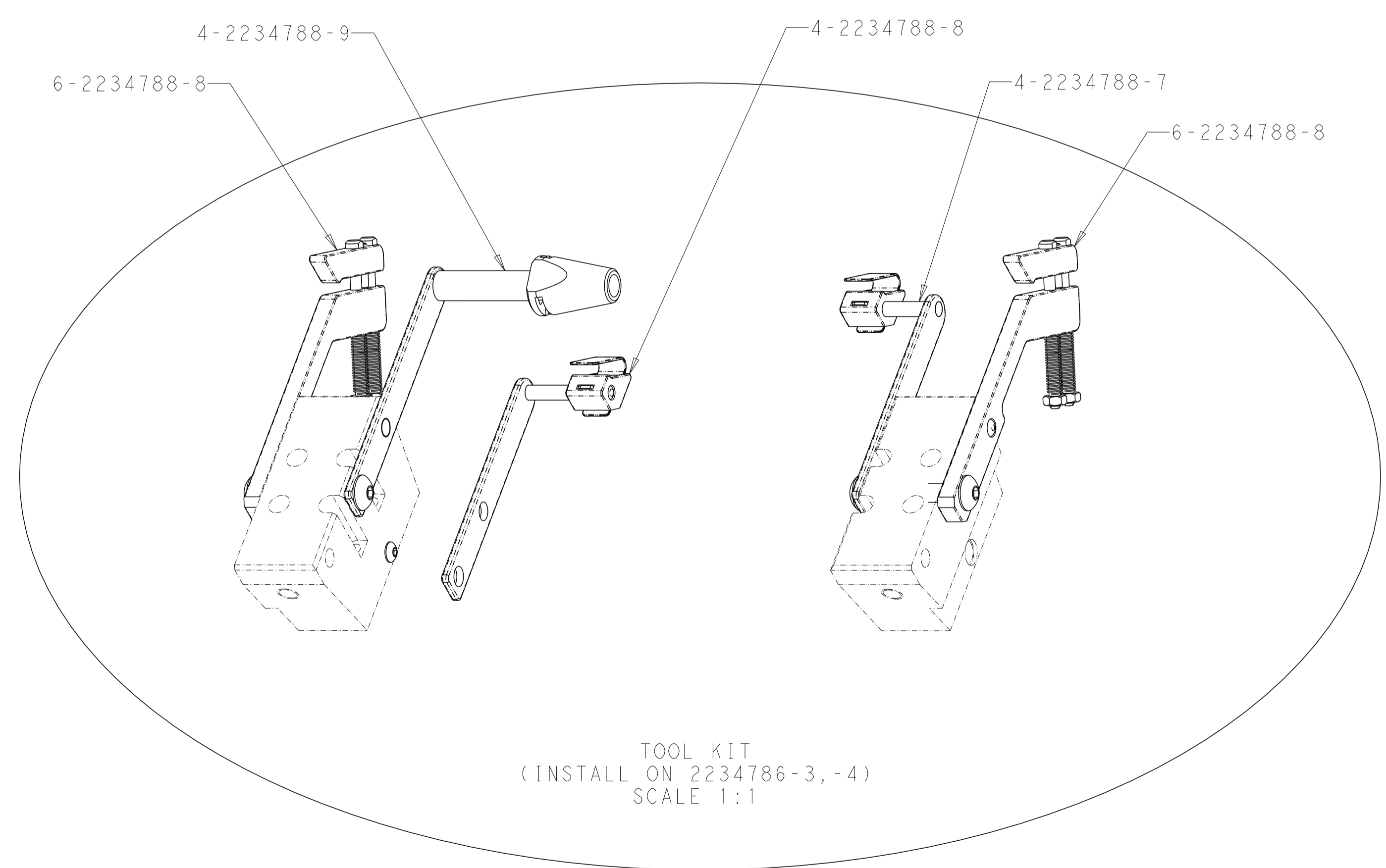
FIXTURE FRAME
 (USED ON 2234786-1, -3)
 SCALE 1:2



FIXTURE FRAME
 (USED ON 2234786-2, -4)
 SCALE 1:2



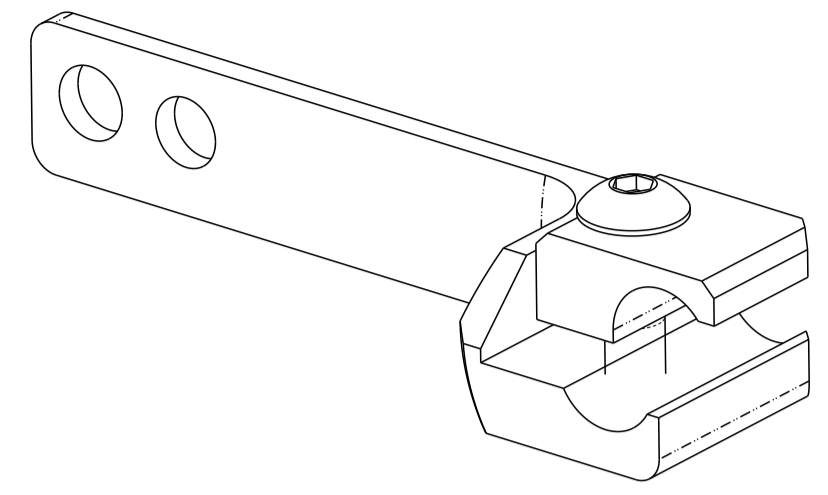
TOOL KIT
 (INSTALL ON 2234786-1, -2)
 SCALE 1:1



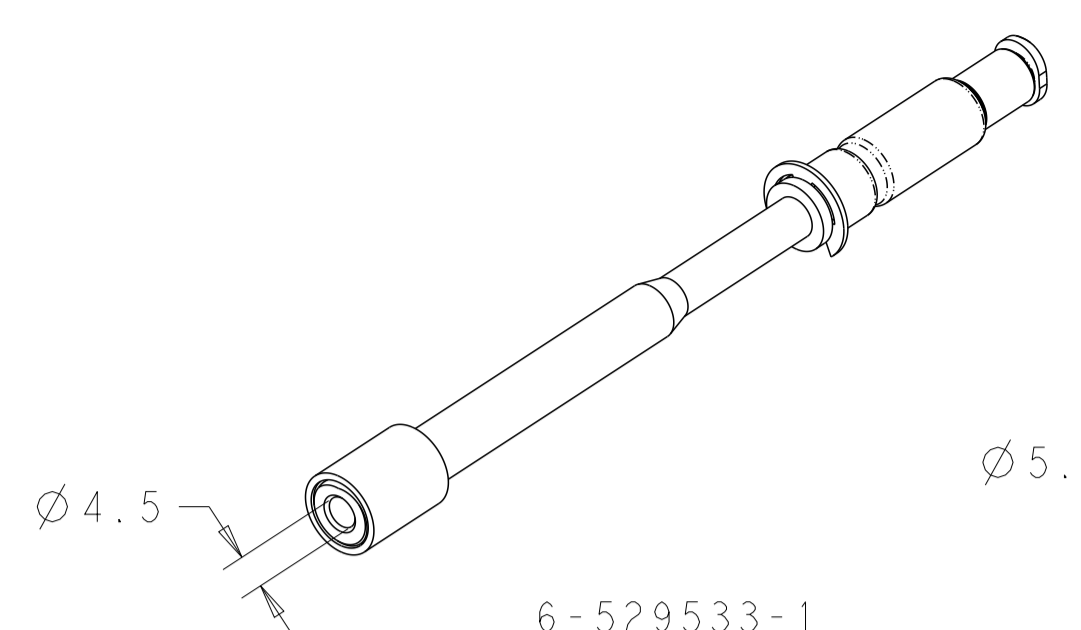
TOOL KIT
 (INSTALL ON 2234786-3, -4)
 SCALE 1:1

THIS DRAWING IS A CONTROLLED DOCUMENT.		OWN C. ZHU 26 JUL 2023	
DIMENSIONS:		CHK C. ZHU 26 JUL 2023	
mm	0 PLC ±	APVD C. ZHU 26 JUL 2023	NAME RBK FIXTURE
	1 PLC ±	PRODUCT SPEC	
	2 PLC ±	APPLICATION SPEC	
	3 PLC ±	WEIGHT	
	4 PLC ±	SIZE CAGE CODE DRAWING NO	A 100779 C=2234786
MATERIAL TBD	FINISH	CUSTOMER DRAWING	RESTRICTED TO
		SCALE 1:2	SHEET 1 OF 2
		REV B	

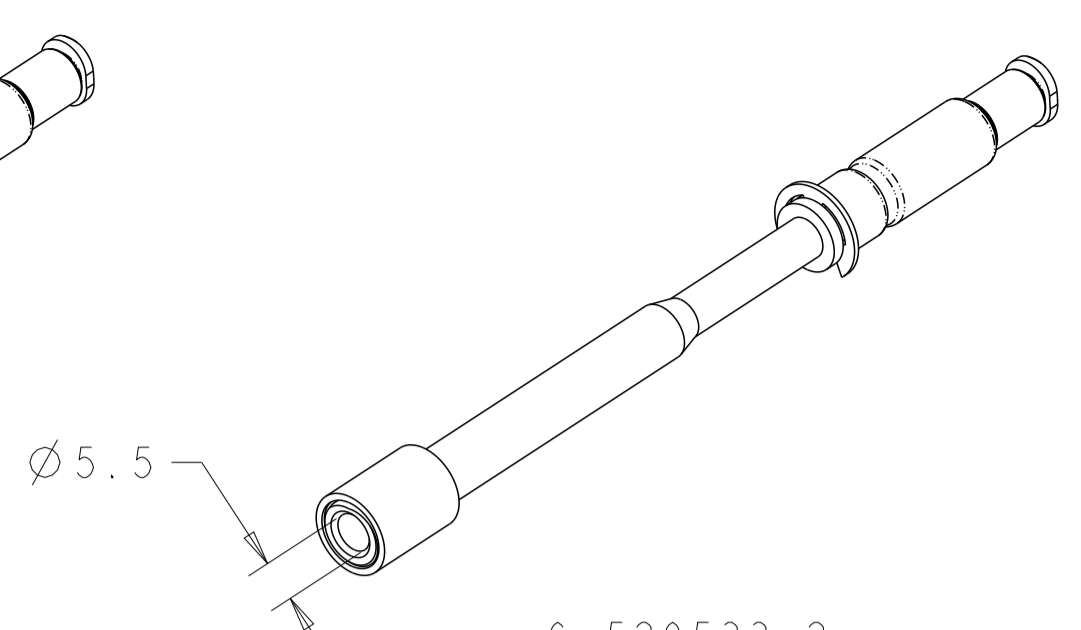
REVISIONS				
P.	LTN	DESCRIPTION	DATE	APVD
-	-	SEE SHEET 1	-	-



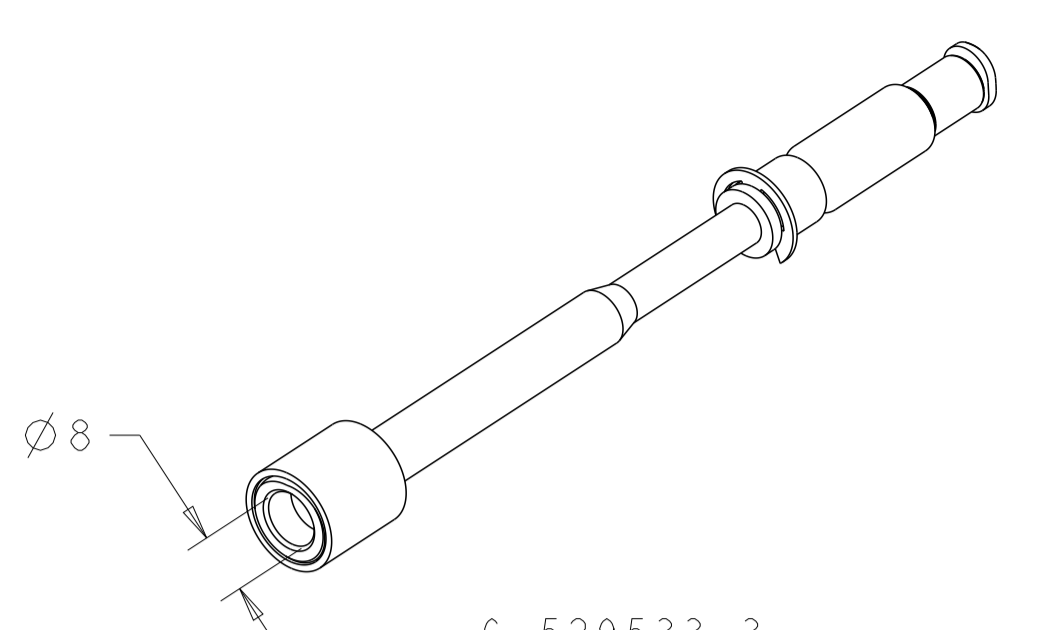
2-2234788-9
SCALE 2:1



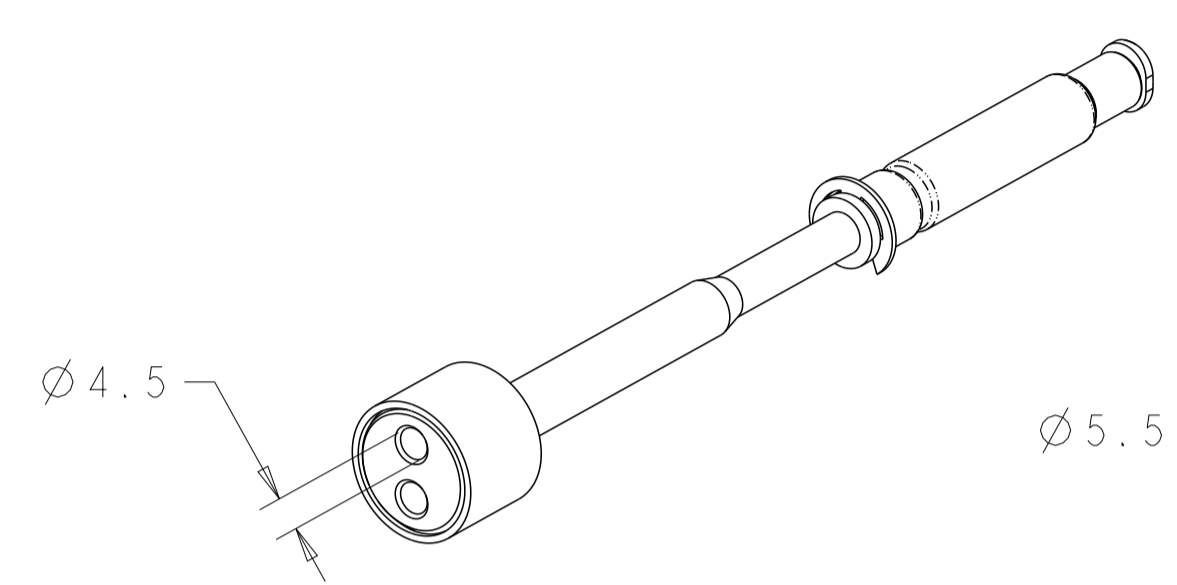
6-529533-1
SCALE 1:1



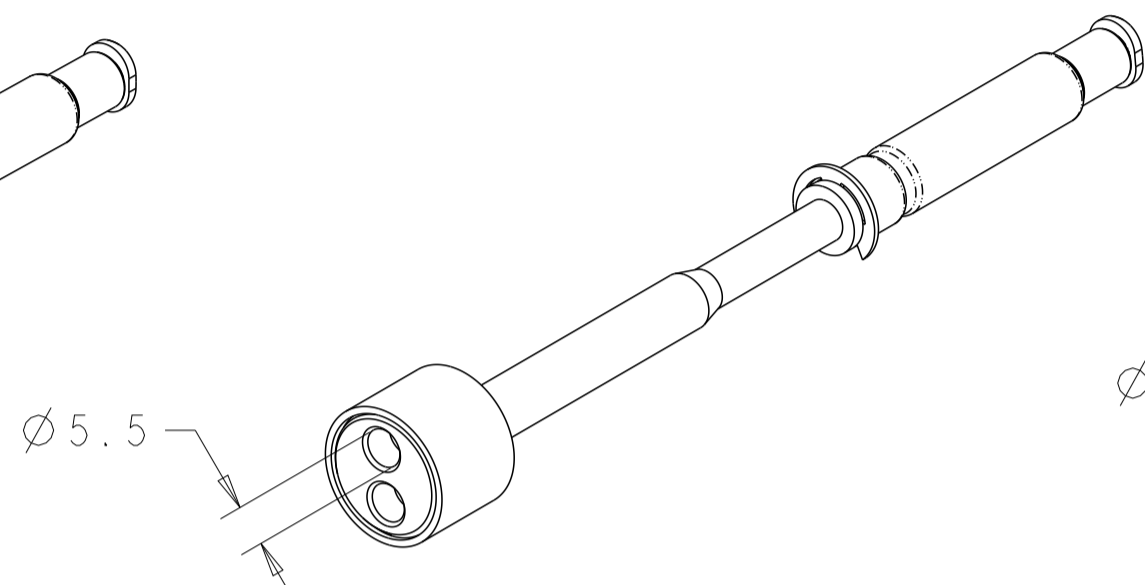
6-529533-2
SCALE 1:1



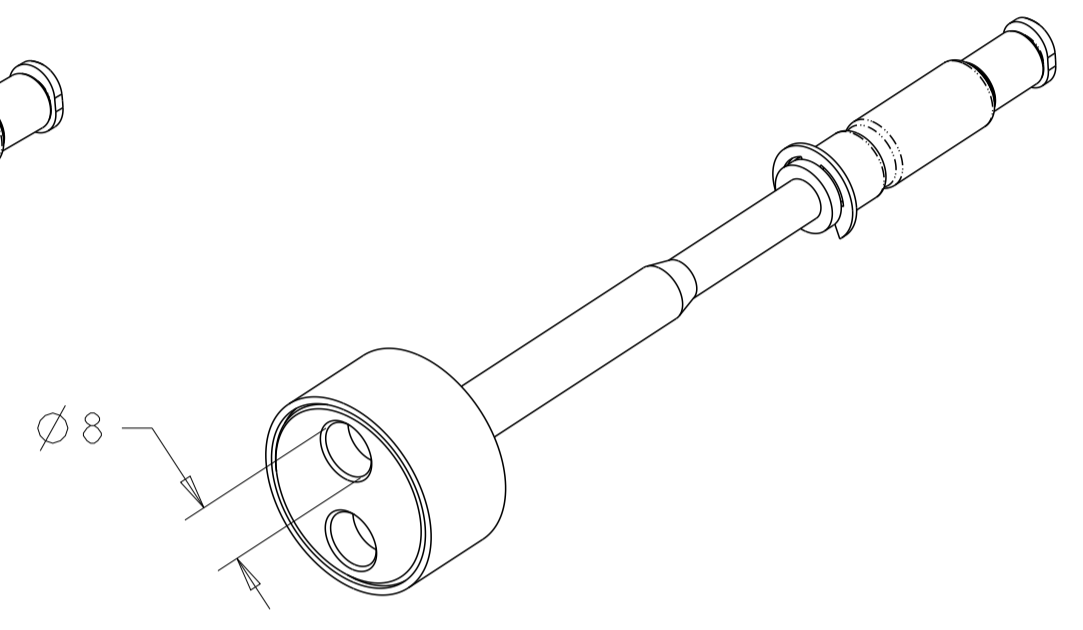
6-529533-3
SCALE 1:1



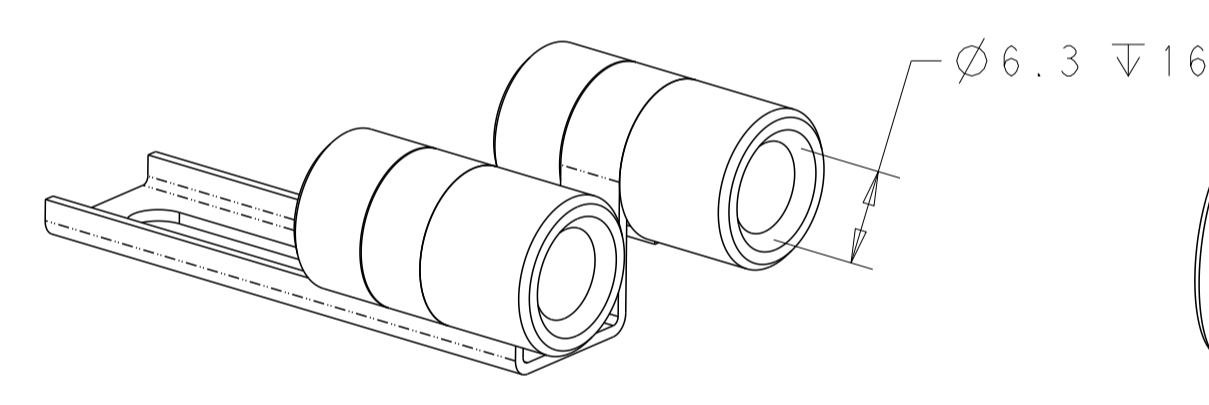
8-529533-2
SCALE 1:1



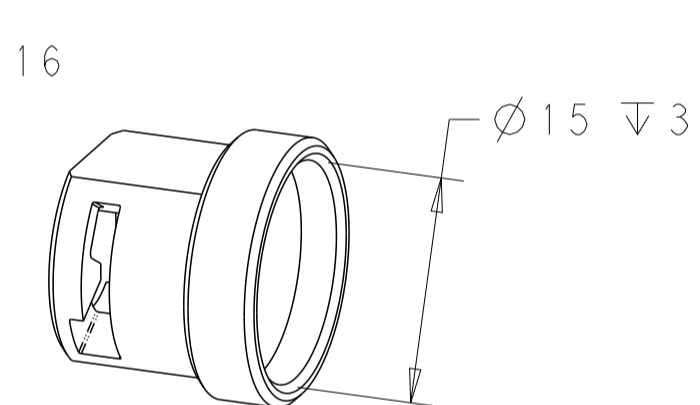
8-529533-3
SCALE 1:1



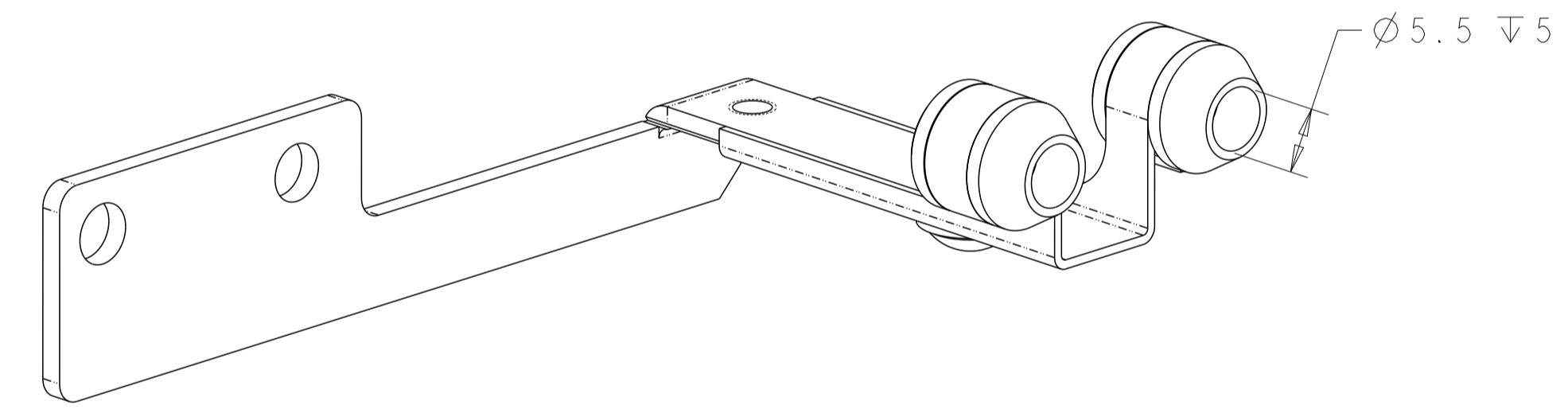
8-529533-4
SCALE 1:1



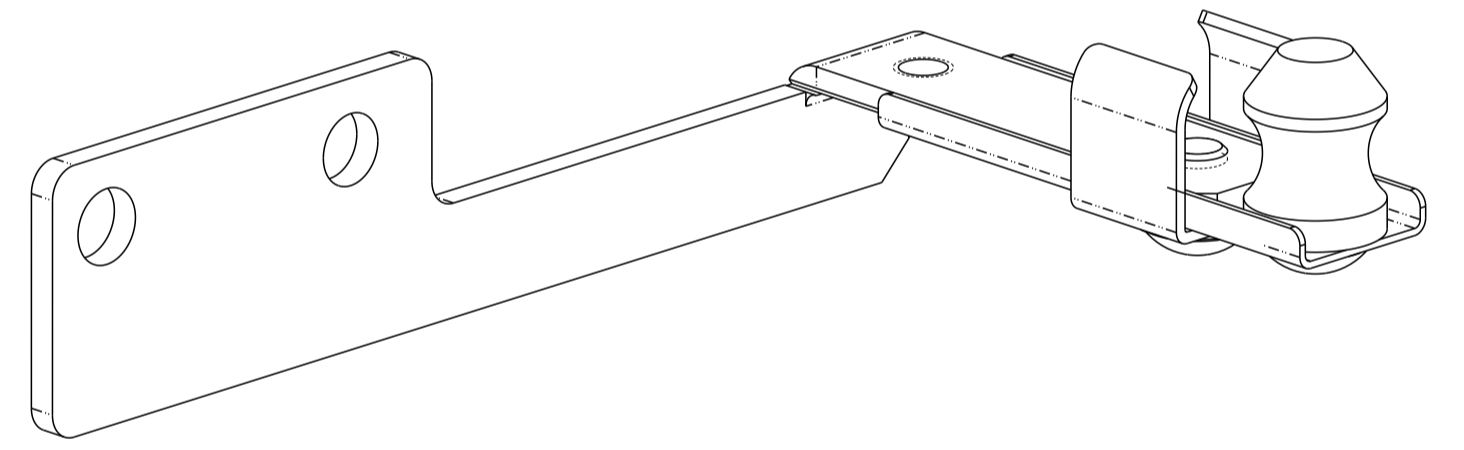
2384437-1
SCALE 2:1



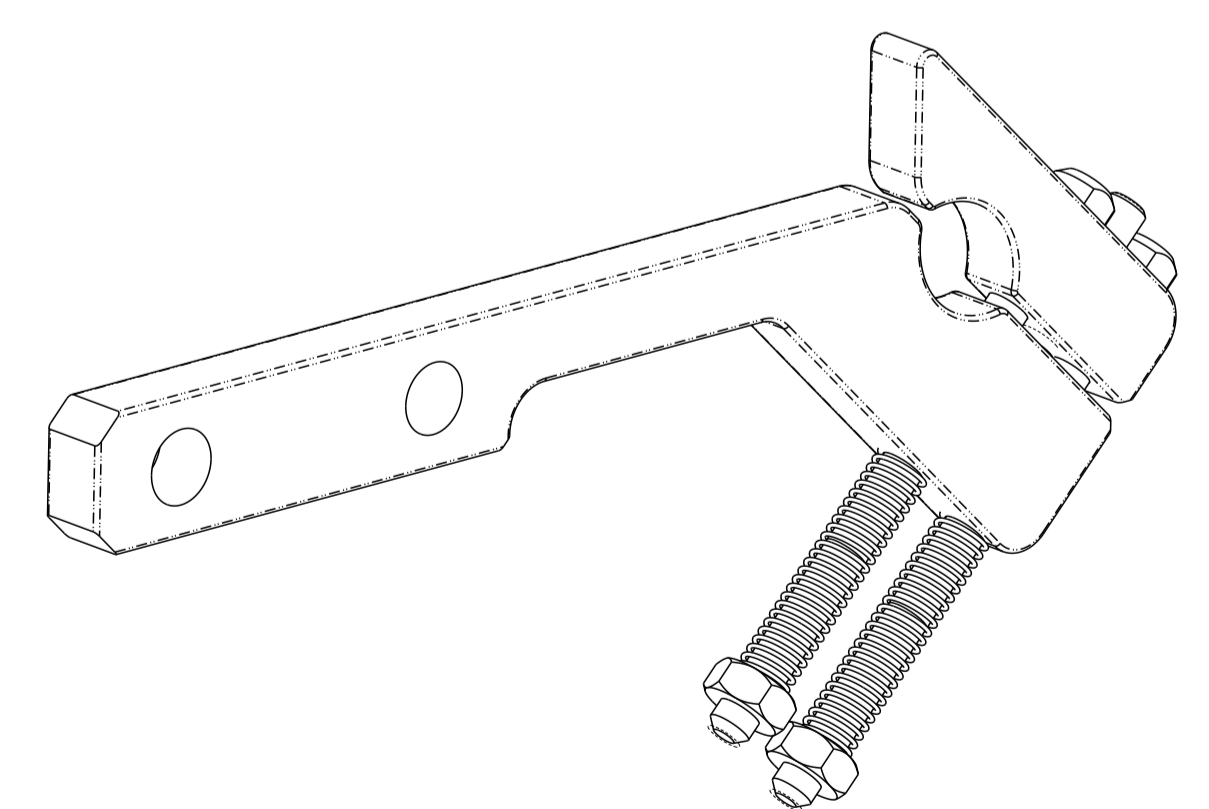
5-2234788-9
SCALE 2:1



7-2234788-4
SCALE 2:1



7-2234788-7
SCALE 2:1



7-2234788-3
SCALE 2:1

OPTIONAL TOOL KITS

THIS DRAWING IS A CONTROLLED DOCUMENT.		OWN C. ZHU 26 JUL 2023		
DIMENSIONS:		CHK C. ZHU 26 JUL 2023		
mm	TOLERANCES UNLESS OTHERWISE SPECIFIED:	APVD C. ZHU 26 JUL 2023	NAME RBK FIXTURE	
0 PLC ±	1 PLC ±	PRODUCT SPEC	-	
2 PLC ±	3 PLC ±	APPLICATION SPEC	-	
4 PLC ±	ANGLES ±	WEIGHT	-	
MATERIAL TBD	FINISH	CUSTOMER DRAWING	SIZE A 00779	DRAWING NO C=2234786
			SCALE 1:2	SHEET 2 OF 2
			REV B	

单击下面可查看定价，库存，交付和生命周期等信息

[>>TE Connectivity\(泰科\)](#)