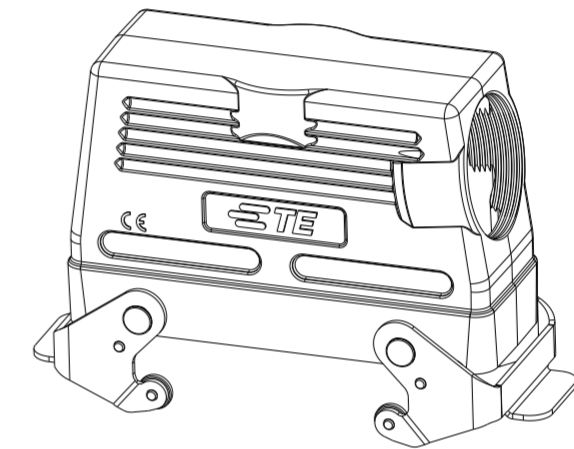
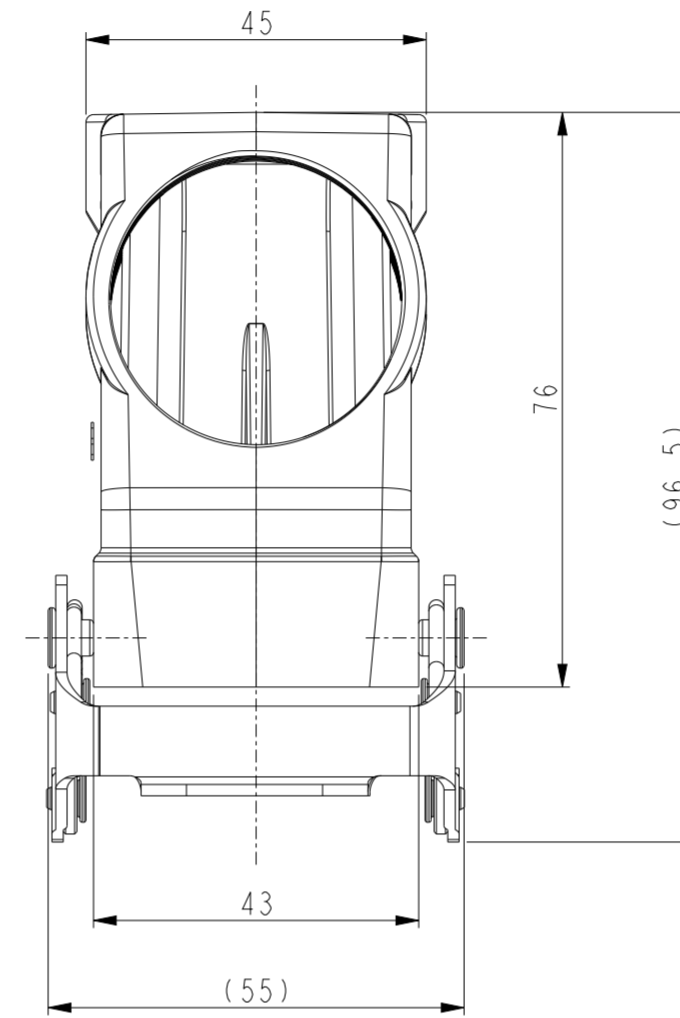
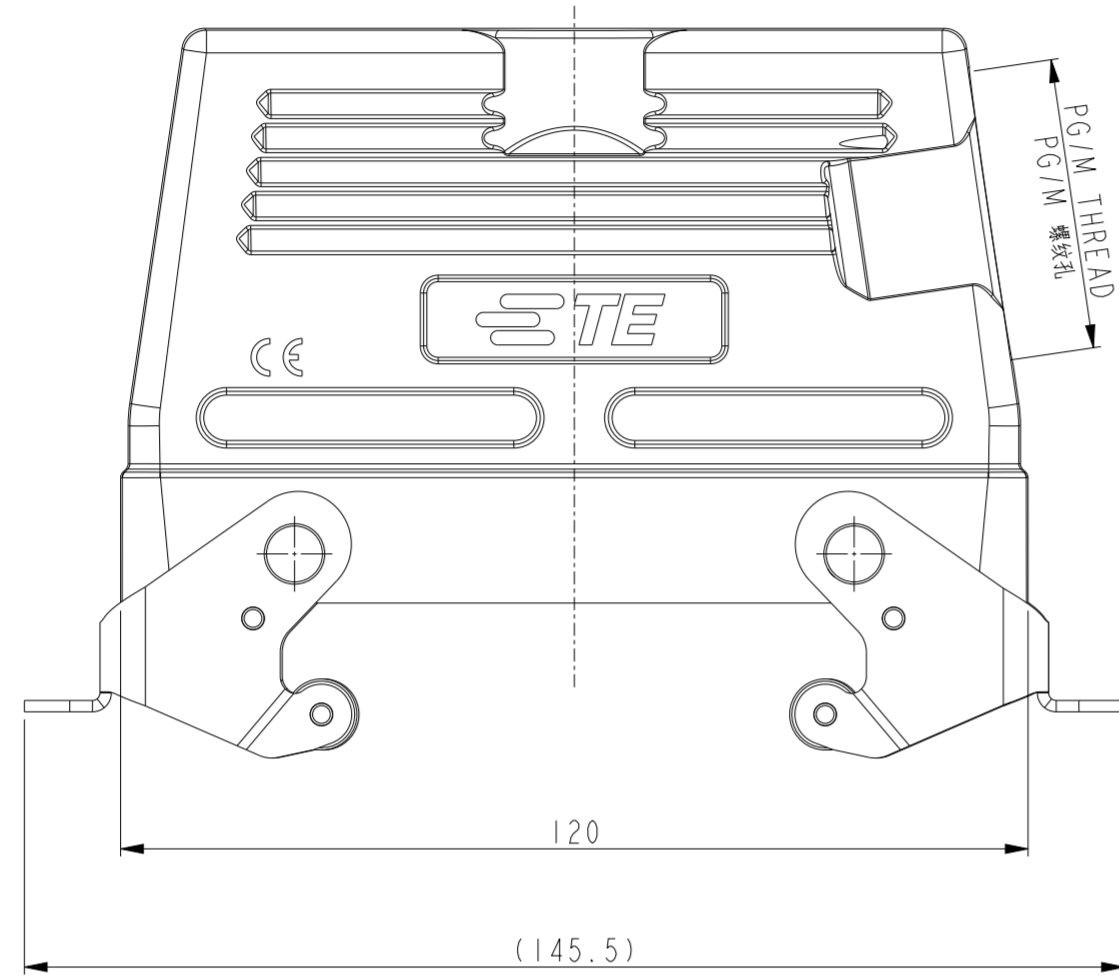


THIS DRAWING IS UNPUBLISHED. RELEASED FOR PUBLICATION 20
 © COPYRIGHT 20 BY - ALL RIGHTS RESERVED.

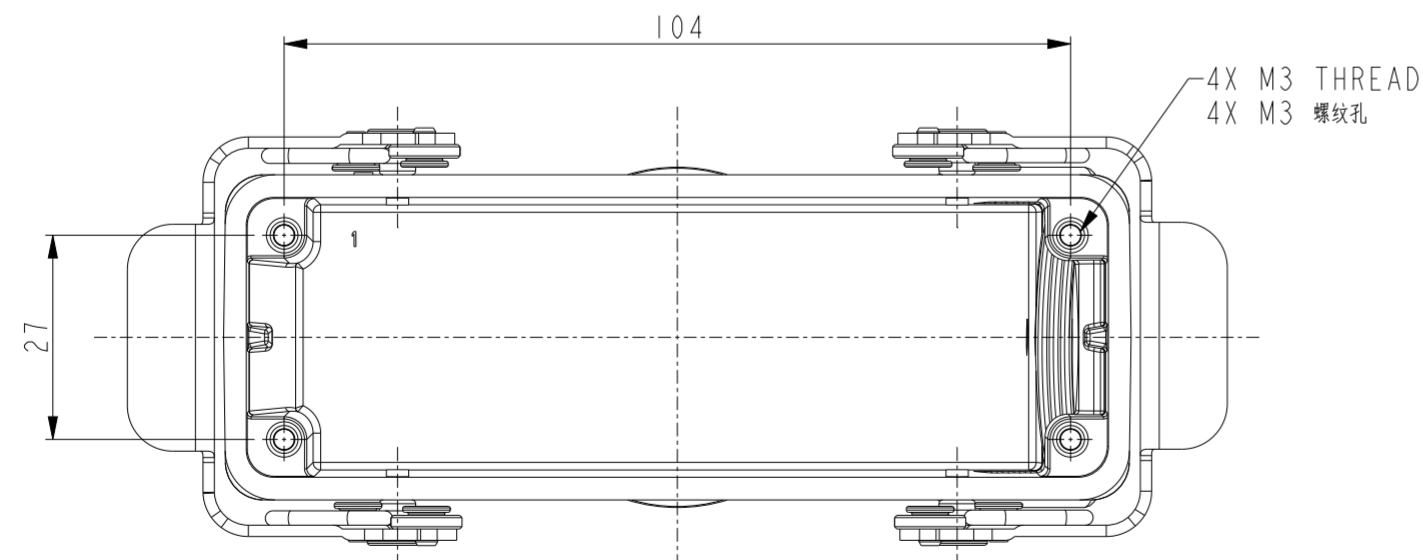
REVISIONS					
P	LTR	DESCRIPTION	DATE	DWN	APVD
A		INITIAL	19NOV2014	DW	CW
A1		ECR-17-016096	01NOV2017	CH	CW
A2		ECR-18-000021	03JAN2018	CH	CW
B		ECR-20-014876	10NOV2020	WOR	CW

NOTES:
 1. TECHNICAL CHARACTERISTICS:
 HOOD MATERIAL: DIE CAST ALUMINIUM ALLOY
 SURFACE: POWDER COATED, GREY
 DEGREE OF PROTECTION: IP65 (MATED)

注释:
 1. 技术参数:
 上壳材料: 铝合金
 表面处理: 灰色粉末涂层
 防护等级: IP65(配合)



SCALE 1:2



PART NUMBER	PART DESCRIPTION	PG/M THREAD
料号	描述	PG/M 螺纹孔
T1270247121-000	H24B-HOOD, SIDE ENTRY PG21, STAINLESS STEEL DOUBLE LOCKING, HIGH CONSTRUCTION, POWDER COATED WITH INSIDE AND OUTSIDE, GREY H24B上壳, 侧出PG21, 不锈钢双扣, 高结构, 灰色粉末里外喷涂	PG21
T1270243140-000	H24B-HOOD, SIDE ENTRY M40, STAINLESS STEEL DOUBLE LOCKING, HIGH CONSTRUCTION, POWDER COATED, GREY H24B上壳, 侧出M40, 不锈钢双扣, 高结构, 灰色粉末喷涂	M40
T1270243132-000	H24B-HOOD, SIDE ENTRY M32, STAINLESS STEEL DOUBLE LOCKING, HIGH CONSTRUCTION, POWDER COATED, GREY H24B上壳, 侧出M32, 不锈钢双扣, 高结构, 灰色粉末喷涂	M32
T1270243129-000	H24B-HOOD, SIDE ENTRY PG29, STAINLESS STEEL DOUBLE LOCKING, HIGH CONSTRUCTION, POWDER COATED, GREY H24B上壳, 侧出PG29, 不锈钢双扣, 高结构, 灰色粉末喷涂	PG29
T1270243125-000	H24B-HOOD, SIDE ENTRY M25, STAINLESS STEEL DOUBLE LOCKING, HIGH CONSTRUCTION, POWDER COATED, GREY H24B上壳, 侧出M25, 不锈钢双扣, 高结构, 灰色粉末喷涂	M25
T1270243121-000	H24B-HOOD, SIDE ENTRY PG21, STAINLESS STEEL DOUBLE LOCKING, HIGH CONSTRUCTION, POWDER COATED, GREY H24B上壳, 侧出PG21, 不锈钢双扣, 高结构, 灰色粉末喷涂	PG21

THIS DRAWING IS A CONTROLLED DOCUMENT.		DWN DAVID.WANG 19NOV2014	TE Connectivity	
		CHK CHRIS.WANG 19NOV2014		
		APVD XIANG.XU 19NOV2014	NAME H24B-TSBHS-PG/M	
DIMENSIONS: mm		PRODUCT SPEC 108-137013	SIZE A2	
TOLERANCES UNLESS OTHERWISE SPECIFIED:		APPLICATION SPEC 114-137013	CAGE CODE -	
0 PLC ±		WEIGHT -	DRAWING NO C-T12702431XX000	
1 PLC ±		RESTRICTED TO -		
2 PLC ±		SCALE 1:1		
3 PLC ±		SHEET OF		
4 PLC ±		REV B		
ANGLES ±		Customer Drawing		
FINISH -				

单击下面可查看定价，库存，交付和生命周期等信息

[>>TE Connectivity\(泰科\)](#)