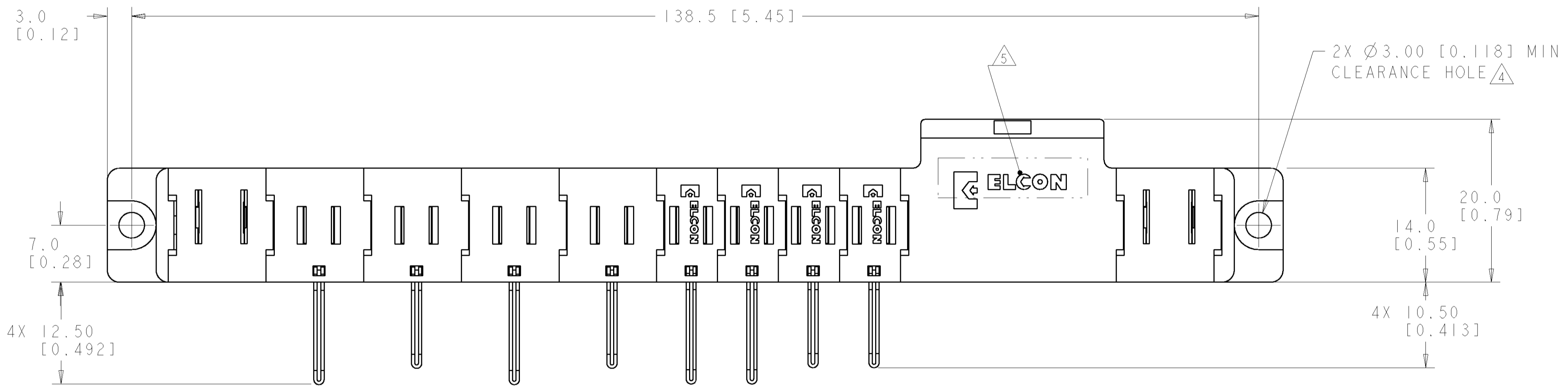


LOC	DIST	REVISIONS			
P	LTR	DESCRIPTION	DATE	DNW	APVD
A		RELEASED	15FEB2007	RG	PD



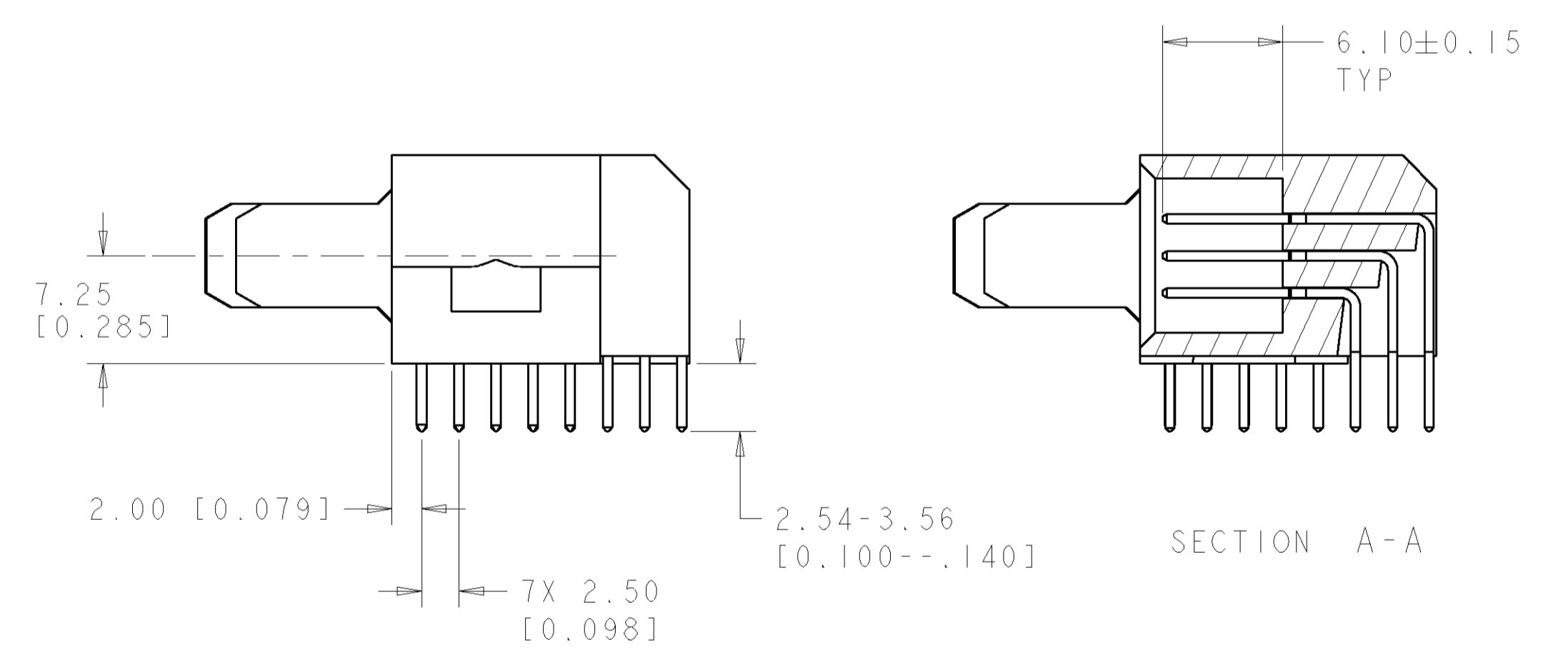
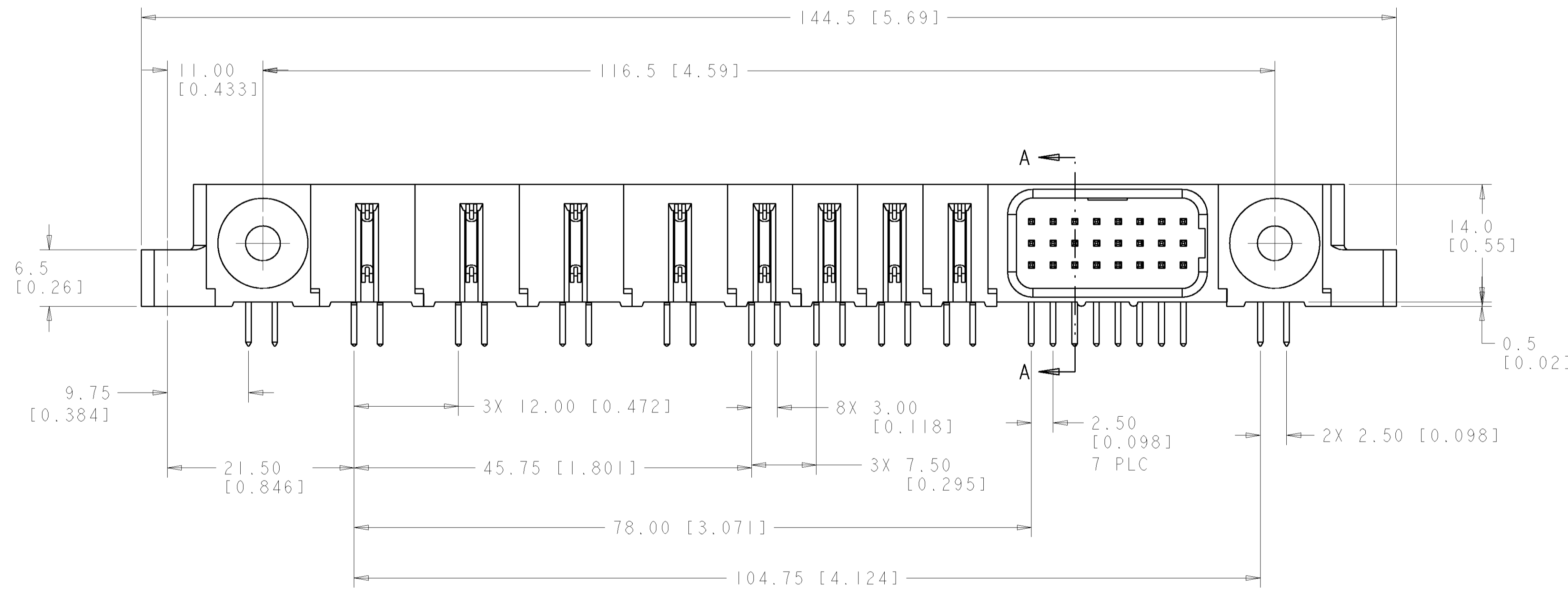
- PART NUMBER CHANGES AND OR DESIGN CHANGES AFFECTING ITEM INTERCHANGEABILITY REQUIRE PRIOR TYCO APPROVAL AND AUTHORIZATION BY REVISION TO THIS DRAWING.
- MATERIAL:
 - INSULATORS - THERMOPLASTIC, GLASS REINFORCED, COLOR: BLACK, UL94V-0 FLAMMABILITY RATED.
 - POWER CONTACTS - PHOSPHOR BRONZE ALLOY, COPPER ALLOY
 - SOLDER SIGNAL PINS-BRASS ALLOY
 - CROWN BAND-BERYLLIUM COPPER ALLOY
- FINISH:
 - CONTACTS - GOLD PLATE .000030" MIN. THK., OVER NICKEL .000050" MIN. THK.
 - SOLDER TAILS, TIN .000120" MIN. THK. OVER NICKEL .000050" MIN THK.

MOUNTING FLANGES ACCEPT #6 SCREWS, (USER SUPPLIED)
 ITEMS PROVIDED TO THIS SPECIFICATION TO BE PERMANENTLY IDENTIFIED PER THE FOLLOWING IDENTIFIER LABEL

YEAR WEEK

TYCO PART NO. DATE CODE (e.g. 0106)
 xxxxxxxx-x xxxxx

6. THIS CONNECTOR MATES WITH SOCKET CONNECTOR PN 1926309-1.

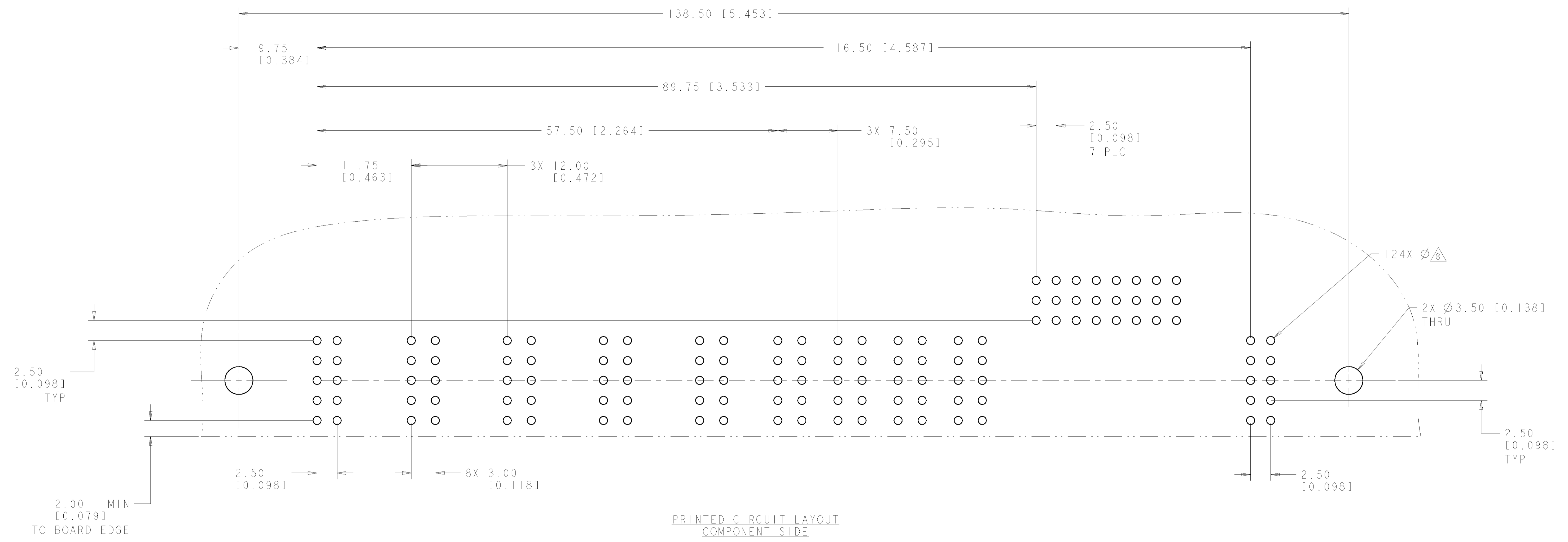


ELCON **FLATPAQ**

AS SHOWN	1926308-1
DESCRIPTION	PART NUMBER

DIMENSIONS: mm [INCHES] TOLERANCES UNLESS OTHERWISE SPECIFIED: 0 PLC ± .5 [0.020] 1 PLC ± .5 [0.020] 2 PLC ± .5 [0.020] 3 PLC ± .5 [0.020] 4 PLC ± .5 [0.020] ANGLES ± .5		DWN: R. GRZYBOWSKI 01DEC06 ENR: P. DAMATO 01DEC06 APVD: S. FLICKINGER 01DEC06		Tyco Electronics Harrisburg, PA 17105-3608	
MATERIAL: - FINISH: -		PRODUCT SPEC: - APPLICATION SPEC: - WEIGHT: - CUSTOMER DRAWING: -		NAME: PIN CONNECTOR, RIGHT ANGLE SOLDER TAILS SIZE: A 00779 C=1926308 SCALE: 3:1 SHEET 1 OF 3 REV A	

LOC	DIST	REVISIONS					
GP	00	P	LTR	DESCRIPTION	DATE	DWN	APVD
-	-	-	-	SEE SHEET 1	-	-	-



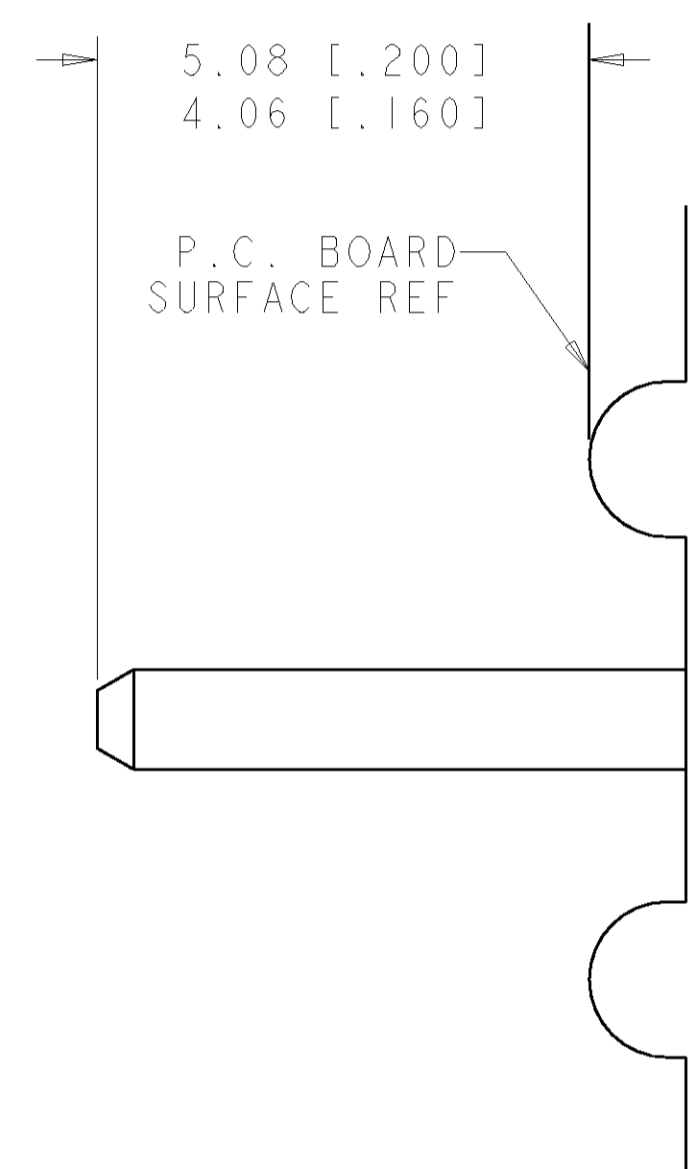
PRINTED CIRCUIT LAYOUT
COMPONENT SIDE

CONNECTOR	EQUIVALENT CATALOG #	MODULE QTY	CONTACT QTY	SIZE NO.	MATING PIN	MAX. CURRENT (PER CONTACT)	CONTACT SPACING	VOLTAGE RATING
PIN	FPI05	2	4	8	1.25 X 7.00 [.049 X .276]	35 amps	7.50 [.2953]	250 VOLTS
	FPI06	2	4	8	1.25 X 7.00 [.049 X .276]	35 amps	7.50 [.2953]	250 VOLTS
	FPI21	2	4	8	1.25 X 7.00 [.049 X .276]	35 amps	12.00 [0.473]	600 VOLTS
	FPI22	2	4	8	1.25 X 7.00 [.049 X .276]	35 amps	12.00 [0.473]	600 VOLTS
	FP302	1	24	22	.64 [.025] SQ.	3 amps	2.50 [.0984]	125 VOLTS
	FP516	2	-	-	RIGHT ANGLE GUIDE SOCKET, ACTIVE			
	FP500	1	-	-	LEFT MOUNTING FLANGE			
	FP501	1	-	-	RIGHT MOUNTING FLANGE			

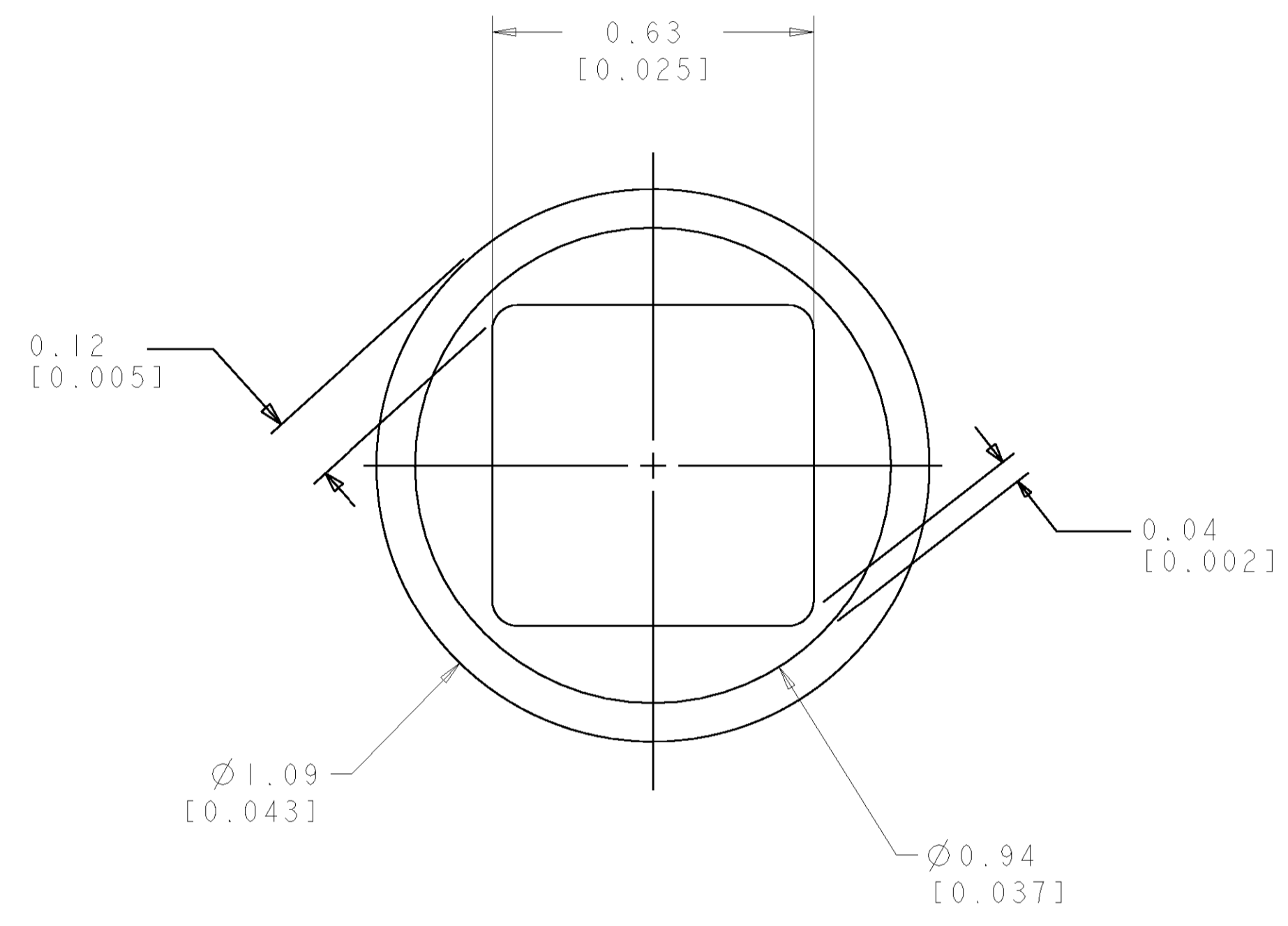
ELCON FLATPAQ

DIMENSIONS: mm [INCHES]		TOLERANCES UNLESS OTHERWISE SPECIFIED: 0 PLC ±.5 [.020] 1 PLC ±.5 [.020] 2 PLC ±.5 [.020] 3 PLC ±.5 [.020] 4 PLC ±.5 [.020] ANGLES ±.5		DWN: B. GRZYBOWSKI 01DEC06 CHK: P. DAMATO 01DEC06 APVD: S. FLICKINGER 01DEC06		tyco Tyco Electronics Harrisburg, PA 17105-3608	
MATERIAL: - FINISH: -		WEIGHT: - CUSTOMER DRAWING: -		PRODUCT SPEC: - APPLICATION SPEC: -		NAME: PIN CONNECTOR, RIGHT ANGLE SOLDER TAILS SIZE: A 00779 C=1926308 SCALE: 3:1 SHEET 2 OF 3 REV A	

LOC	DIST	REVISIONS			
P	LTR	DESCRIPTION	DATE	DNW	APVD
-	-	SEE SHEET 1	-	-	-



7. SOLDER PIN DETAIL
SCALE 10:1



⚠ SOLDER TERMINATION AREA
 SCALE 40:1
 RECOMMENDED PRINTED CIRCUIT SOLDER HOLE
 FINISHED HOLE: Ø1.02 [.040] ±.08 [.003]
 DRILLED HOLE: Ø1.15 [.0453] ±.013 [.0005]
 COPPER PLATE: .025 [.0010] MIN.
 TIN PLATE: .008 [.0003] MIN. (PER SURFACE)

ELCON FLATPAQ

<small>THIS DRAWING IS UNPUBLISHED. RELEASED FOR PUBLICATION. ALL RIGHTS RESERVED. THIS DRAWING IS THE PROPERTY OF TYCO ELECTRONICS CORPORATION. IT IS TO BE USED ONLY FOR THE PURPOSES AND CONDITIONS SPECIFIED IN THE ORDER. IT IS NOT TO BE REPRODUCED OR TRANSMITTED IN ANY FORM OR BY ANY MEANS, ELECTRONIC OR MECHANICAL, INCLUDING PHOTOCOPYING, RECORDING, OR BY ANY INFORMATION STORAGE AND RETRIEVAL SYSTEM, WITHOUT PERMISSION IN WRITING FROM TYCO ELECTRONICS CORPORATION.</small>		DWN B. GRZYBOWSKI CHK P. DAMATO APVD S. FLICKINGER	DTDEC06 DTDEC06 DTDEC06	tyco Electronics Tyco Electronics Harrisburg, PA 17105-3608
DIMENSIONS: mm [INCHES]	TOLERANCES UNLESS OTHERWISE SPECIFIED: 0 PLC ±. 1 PLC ±.5 [.020] 2 PLC ±.25 [.010] 3 PLC ±. 4 PLC ±. ANGLES ±.5	PRODUCT SPEC APPLICATION SPEC	NAME PIN CONNECTOR, RIGHT ANGLE SOLDER TAILS	RESTRICTED TO
MATERIAL	FINISH	WEIGHT	SIZE CAGE CODE DRAWING NO A100779C-1926308	SCALE 3:1 SHEET 3 OF 3 REV A
CUSTOMER DRAWING				

单击下面可查看定价，库存，交付和生命周期等信息

[>>TE Connectivity\(泰科\)](#)