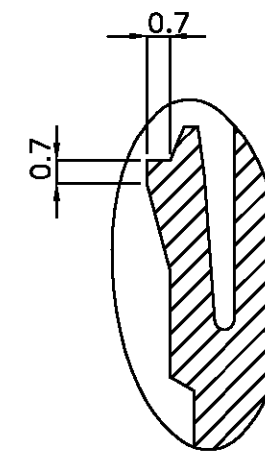
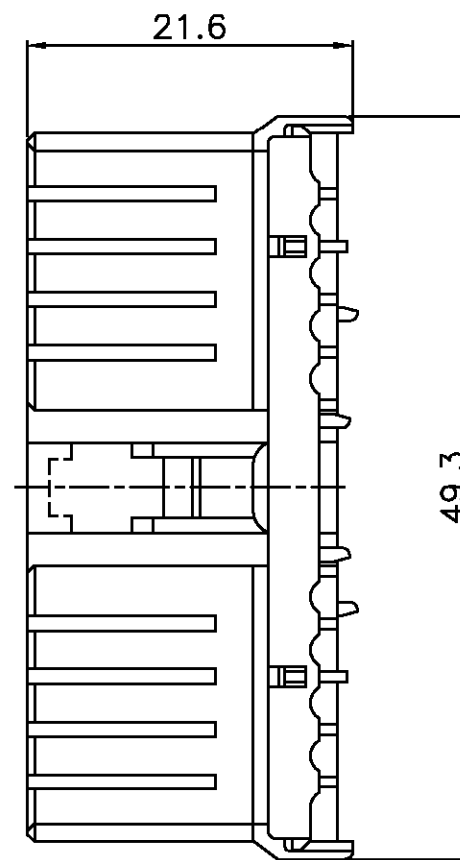
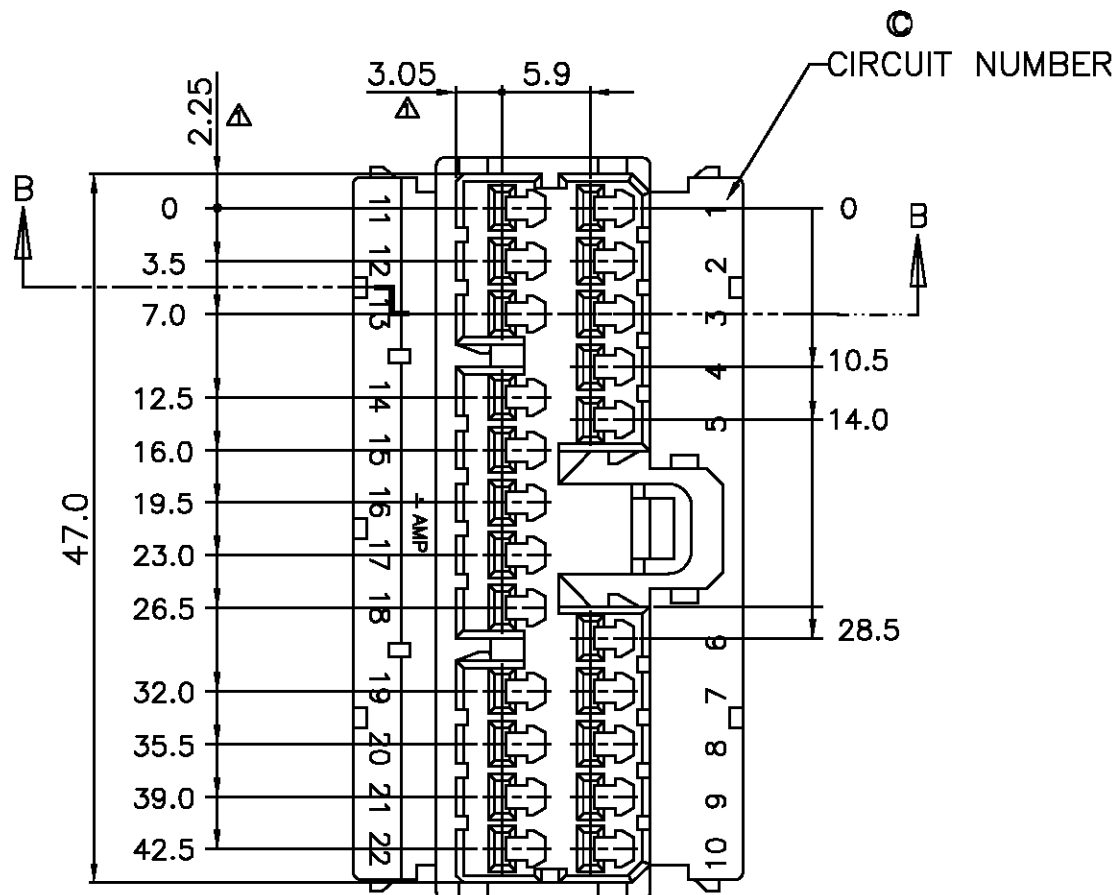


P	LTR	DESCRIPTION	DATE	DWN	APVD
	O	RELEASED(RD96-366)	23/NOV/'96	YJ	JK
	A	REVISED(FC00-0070-01)	23/JUN/'01	MS	CS
	B	REVISED(FC00-0028-03)	21/MAR/'03	MS	CS
	C	REVISED(FC00-0140-04)	01/JUL/'04	JG	CS

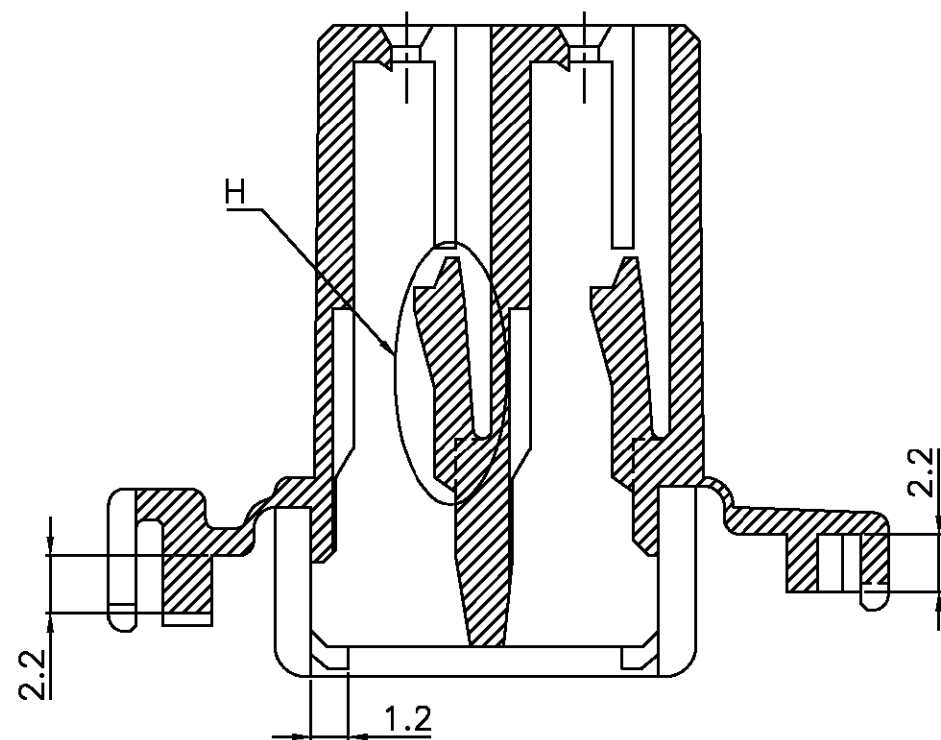


DETAIL H

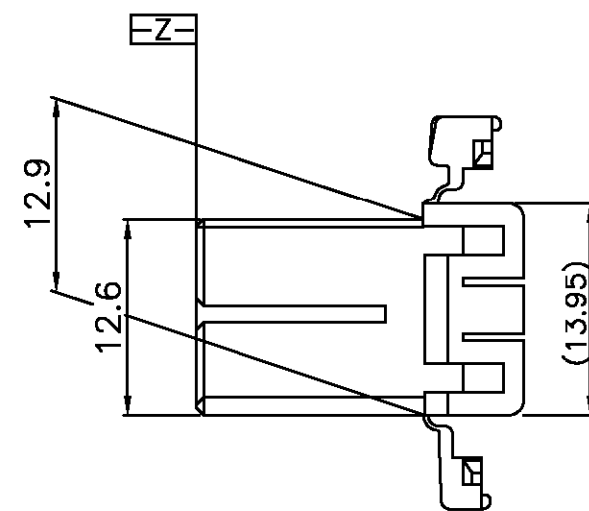
NOTES

- △ TO BE MEASURE BETWEEN [Z] AND 2.
- APPLIED CONTACT P/N: 173630,173631,85098
- TO BE MATED WITH CAP HSG SMOOTHLY
- APPLIED CAP HSG P/N: 85097
- CURRENT RATING: 10A MAX

⊕	P/N	MATERIAL	COLOR
⊕	85096-7	P.B.T	YELLOW
⊕	85096-1	P.B.T	WHITE



SECTION B-B (SCALE:5/1)



THIS DRAWING IS A CONTROLLED DOCUMENT FOR TYCO ELECTRONICS CORPORATION. IT IS SUBJECT TO CHANGE AND THE CONTROLLING ENGINEERING ORGANIZATION SHOULD BE CONTACTED FOR THE LATEST REVISION.

DIMENSIONS: mm

TOLERANCES UNLESS OTHERWISE SPECIFIED:

- 0 <XX<10 ± 0.2
- 10<XX<30 ± 0.25
- 30<XX ± 0.3
- ANGLES ± 3'

3rd ANGLE PROJECTION

MATERIAL SEE TABLE

FINISH

DWN JG MOON

CHK BM JANG

APVD CS LEE

PRODUCT SPEC

APPLICATION SPEC

WEIGHT



AMP KOREA. kyungsan, korea

NAME

.070 MLC 22P PLUG HSG.

SIZE CAGE CODE DRAWING NO RESTRICTED TO

A3 00779 C= 8 5 0 9 6

SCALE 2/1 SHEET 1 OF 1 REV C

单击下面可查看定价，库存，交付和生命周期等信息

[>>TE Connectivity\(泰科\)](#)