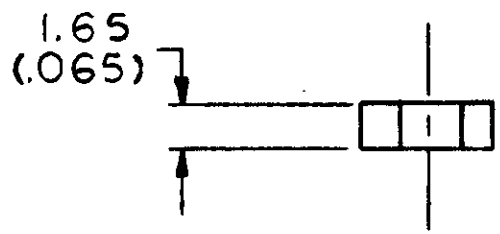
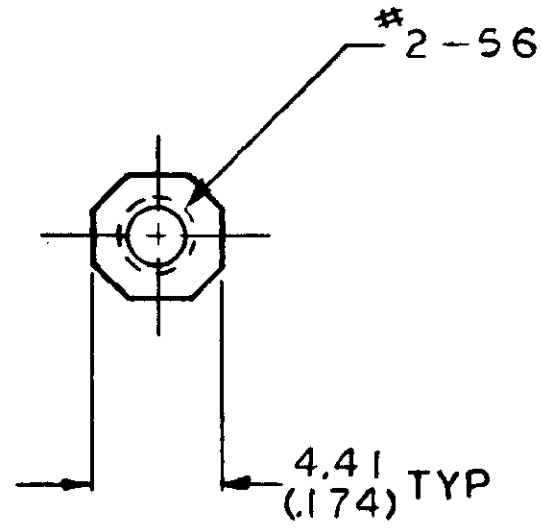


REVISIONS					
P	F	LTR	DESCRIPTION	DATE	APPROVED
✓			0 RELEASED	12/6/84	RKS

 MATERIAL: STAINLESS STEEL  
 FINISH: PASSIVATE



**METRIC**

532939 - 1 IS AS SHOWN

THIS DRAWING IS UNPUBLISHED. RELEASED FOR PUBLICATION  
 © COPYRIGHT 19 BY AMP INCORPORATED, HARRISBURG, PA. ALL INTERNATIONAL RIGHTS RESERVED. AMP PRODUCTS MAY BE COVERED BY U.S. AND FOREIGN PATENTS AND/OR PATENTS PENDING.

UNLESS OTHERWISE SPECIFIED DIMENSIONS ARE IN INCHES. TOLERANCES ON: DECIMALS ± 0.13 (.005) ANGLES ±	CONTRACT NO	<b>AMP</b>   AMP INCORPORATED Harrisburg, Pa. 17105	
	DR <i>Rich Seifried</i> 12-7-84 CHG <i>D.C. Fubendall</i> 12-7-84 APPD <i>D.C. Fubendall</i> 12-7-84		
MATERIAL		OCTAGONAL NUT	
FINISH	DSGN APPD	SIZE <b>A</b>	FSCM NO <b>00779</b>
	OTHER APPD	DRAWING NO <b>532939</b>	
		SCALE <b>4:1</b>	SHEET <b>1 OF 1</b>

单击下面可查看定价，库存，交付和生命周期等信息

[>>TE Connectivity\(泰科\)](#)