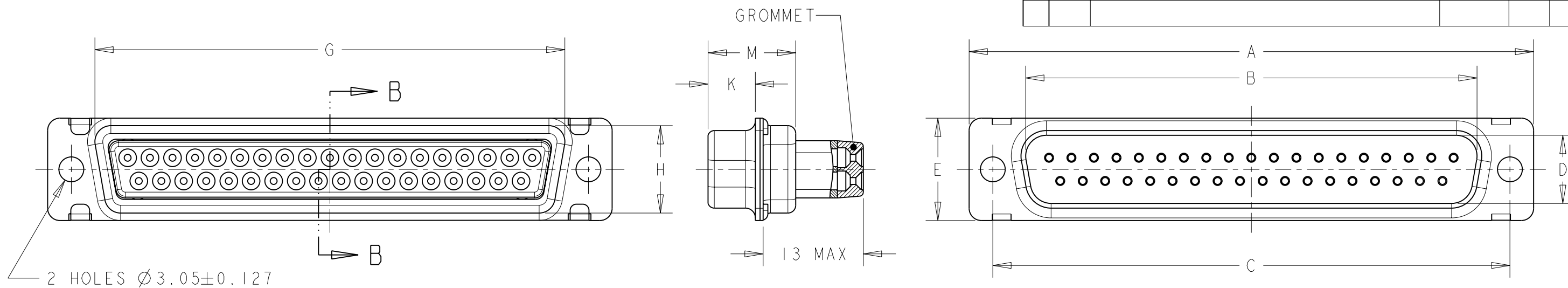


LOC	DIST	REVISIONS				
P	LTR	DESCRIPTION	DATE	DWN	APVD	
F	00	E	13 WAS 11.9 MAX. UPDATE NOTE 5 AND FORMAT	24OCT2011	JT	YP

PLUG TYPE MDP

SECTION B-B



M±0.25	K±0.13	G±0.25	H±0.25	E±0.38	D±0.13	C±0.13	B±0.13	A±0.38	DESCRIPTION	Nb POS.	SIZE	OLD P/N	P/N
10.82	5.84	55.32	13.56	15.37	11.20	61.11	52.81	66.93	PLUG	50	5	MDP308G - 50P2 - 001	1-1236089-0
10.82	5.84	57.71	10.72	12.55	8.36	63.50	55.42	69.32	PLUG	37	4	MDP308G - 37P2 - 001	1236089-9
10.82	5.84	41.30	10.72	12.55	8.36	47.04	38.96	53.04	PLUG	25	3	MDP308G - 25P2 - 001	1236089-8
10.72	5.97	27.51	10.72	12.55	8.36	33.32	25.25	39.14	PLUG	15	2	MDP308G - 15P2 - 001	1236089-7
10.72	5.97	19.28	10.72	12.55	8.36	24.99	16.92	30.81	PLUG	9	1	MDP308G - 9P2 - 001	1236089-6
10.82	5.84	55.32	13.56	15.37	11.20	61.11	52.81	66.93	PLUG WITH #20 PIN CONTACTS	50	5	MDP308G - 50P2	1236089-5
10.82	5.84	57.71	10.72	12.55	8.36	63.50	55.42	69.32	PLUG WITH #20 PIN CONTACTS	37	4	MDP308G - 37P2	1236089-4
10.82	5.84	41.30	10.72	12.55	8.36	47.04	38.96	53.04	PLUG WITH #20 PIN CONTACTS	25	3	MDP308G - 25P2	1236089-3
10.72	5.97	27.51	10.72	12.55	8.36	33.32	25.25	39.14	PLUG WITH #20 PIN CONTACTS	15	2	MDP308G - 15P2	1236089-2
10.72	5.97	19.28	10.72	12.55	8.36	24.99	16.92	30.81	PLUG WITH #20 PIN CONTACTS	9	1	MDP308G - 9P2	1236089-1
												STANDARD MOUNT	

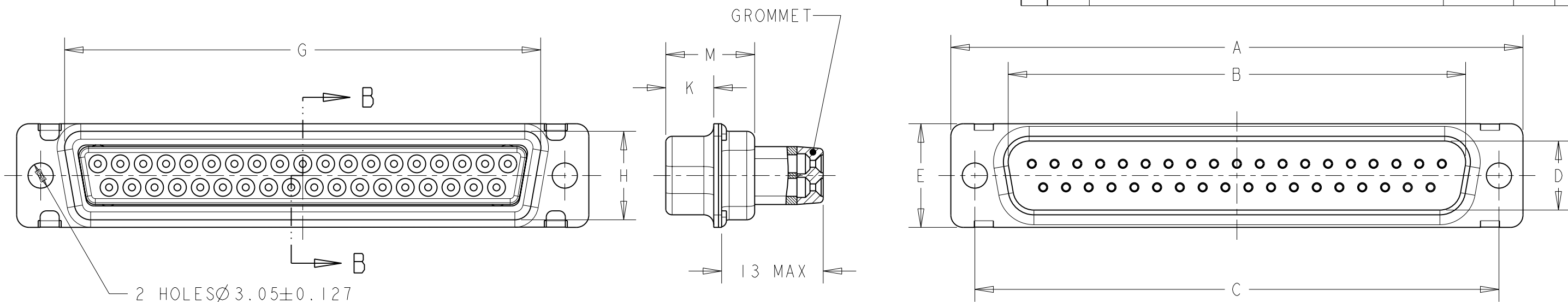
SEE NOTES ON LAST SHEET

THIS DRAWING IS A CONTROLLED DOCUMENT.		DWN J. THUEZ 29MAY2009	STE TE Connectivity	
DIMENSIONS: mm		CHK Y. PETRONIN 03JUN2009		
TOLERANCES UNLESS OTHERWISE SPECIFIED:		APVD Y. PETRONIN 03JUN2009	NAME SUB D PLUG WITH WIRE BUSHING MDP TYPE	
0 PLC ±0.5 1 PLC ±0.1 2 PLC ±0.02 3 PLC ±0.005 4 PLC ± ANGLES ±30'		PRODUCT SPEC -	APPLICATION SPEC NOTE 7	
MATERIAL NOTE 3		FINISH NOTE 4	SIZE A300779	CAGE CODE C-1236089
		WEIGHT -	DRAWING NO 1236089	
		CUSTOMER DRAWING		RESTRICTED TO -
		SCALE 2:1	SHEET 1 OF 6	REV E

LOC	DIST	REVISIONS			
P	LTR	DESCRIPTION	DATE	DWN	APVD
F	00	-	SEE SHEET 1	-	-


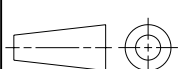
PLUG TYPE MDP

SECTION B-B



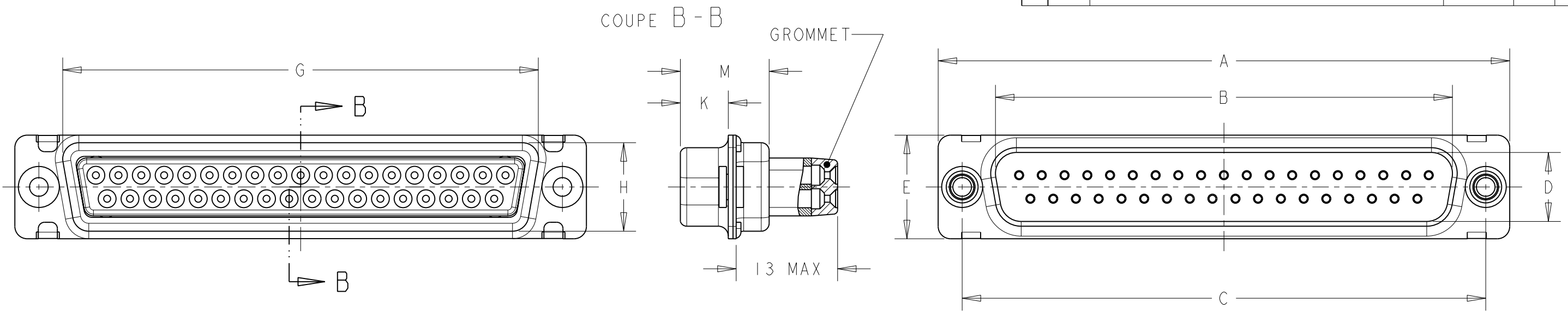
M ± 0.25	K ± 0.13	G ± 0.25	H ± 0.25	E ± 0.38	D ± 0.13	C ± 0.13	B ± 0.13	A ± 0.38	DESCRIPTION	NB POS	SIZE	OLD P/N	P/N
10.82	5.84	58.47	15.14	16.97	12.78	63.50	56.18	69.32	PLUG	104	6	MDP308G - 66104P2 - 001	4-1236089-1
10.82	5.84	55.32	13.56	15.37	11.20	61.11	52.81	66.93	PLUG	78	5	MDP308G - 5078P2 - 001	4-1236089-0
10.82	5.84	57.71	10.72	12.55	8.36	63.50	55.42	69.32	PLUG	62	4	MDP308G - 3762P2 - 001	3-1236089-9
10.82	5.84	41.30	10.72	12.55	8.36	47.04	38.96	53.04	PLUG	44	3	MDP308G - 2544P2 - 001	3-1236089-8
10.72	5.97	27.51	10.72	12.55	8.36	33.32	25.25	39.14	PLUG	26	2	MDP308G - 1526P2 - 001	3-1236089-7
10.72	5.97	19.28	10.72	12.55	8.36	24.99	16.92	30.81	PLUG	15	1	MDP308G - 915P2 - 001	3-1236089-6
10.82	5.84	58.47	15.14	16.97	12.78	63.50	56.18	69.32	PLUG WITH #22 PIN CONTACTS	104	6	MDP308G - 66104P2	3-1236089-5
10.82	5.84	55.32	13.56	15.37	11.20	61.11	52.81	66.93	PLUG WITH #22 PIN CONTACTS	78	5	MDP308G - 5078P2	3-1236089-4
10.82	5.84	57.71	10.72	12.55	8.36	63.50	55.42	69.32	PLUG WITH #22 PIN CONTACTS	62	4	MDP308G - 3762P2	3-1236089-3
10.82	5.84	41.30	10.72	12.55	8.36	47.04	38.96	53.04	PLUG WITH #22 PIN CONTACTS	44	3	MDP308G - 2544P2	3-1236089-2
10.72	5.97	27.51	10.72	12.55	8.36	33.32	25.25	39.14	PLUG WITH #22 PIN CONTACTS	26	2	MDP308G - 1526P2	3-1236089-1
10.72	5.97	19.28	10.72	12.55	8.36	24.99	16.92	30.81	PLUG WITH #22 PIN CONTACTS	15	1	MDP308G - 915P2	3-1236089-0
												STANDARD MOUNT HIGH DENSITE	

SEE NOTES ON LAST SHEET

THIS DRAWING IS A CONTROLLED DOCUMENT.		DWN J. THUEZ 29MAY2009	 TE Connectivity	
DIMENSIONS: mm		CHK Y. PETRONIN 03JUN2009		
TOLERANCES UNLESS OTHERWISE SPECIFIED:		APVD Y. PETRONIN 03JUN2009	NAME SUB D PLUG WITH WIRE BUSHING MDP TYPE	
		PRODUCT SPEC -	SIZE A3	
MATERIAL NOTE 3		APPLICATION SPEC NOTE 7	CAGE CODE 00779	DRAWING NO 1236089
FINISH NOTE 4		WEIGHT -	RESTRICTED TO -	
CUSTOMER DRAWING			SCALE 2:1	SHEET 2 OF 6
			REV E	

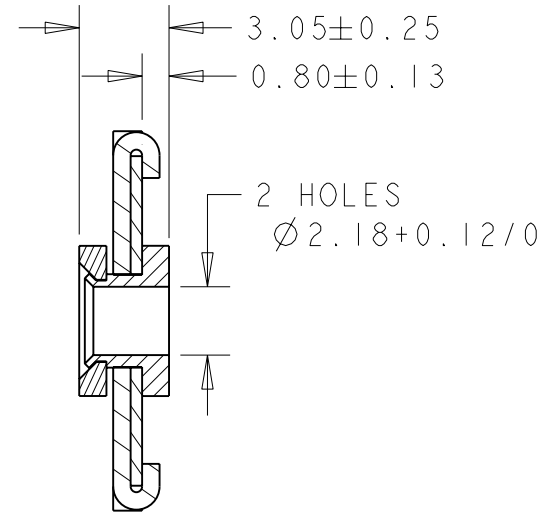
LOC	DIST	REVISIONS			
P	LTR	DESCRIPTION	DATE	DWN	APVD
F	00	-	SEE SHEET 1	-	-

PLUG TYPE MDP



M±0.25	K±0.13	G±0.25	H±0.25	E±0.38	D±0.13	C±0.13	B±0.13	A±0.38	DESCRIPTION	Nb POS	SIZE	OLD P/N	P/N
10.82	5.84	55.32	13.56	15.37	11.20	61.11	52.81	66.93	PLUG	50	5	MDP308GF - 50P2 - 001	2-1236089-0
10.82	5.84	57.71	10.72	12.55	8.36	63.50	55.42	69.32	PLUG	37	4	MDP308GF - 37P2 - 001	1-1236089-9
10.82	5.84	41.30	10.72	12.55	8.36	47.04	38.96	53.04	PLUG	25	3	MDP308GF - 25P2 - 001	1-1236089-8
10.72	5.97	27.51	10.72	12.55	8.36	33.32	25.25	39.14	PLUG	15	2	MDP308GF - 15P2 - 001	1-1236089-7
10.72	5.97	19.28	10.72	12.55	8.36	24.99	16.92	30.81	PLUG	9	1	MDP308GF - 9P2 - 001	1-1236089-6
10.82	5.84	55.32	13.56	15.37	11.20	61.11	52.81	66.93	PLUG WITH #20 PIN CONTACTS	50	5	MDP308GF - 50P2	1-1236089-5
10.82	5.84	57.71	10.72	12.55	8.36	63.50	55.42	69.32	PLUG WITH #20 PIN CONTACTS	37	4	MDP308GF - 37P2	1-1236089-4
10.82	5.84	41.30	10.72	12.55	8.36	47.04	38.96	53.04	PLUG WITH #20 PIN CONTACTS	25	3	MDP308GF - 25P2	1-1236089-3
10.72	5.97	27.51	10.72	12.55	8.36	33.32	25.25	39.14	PLUG WITH #20 PIN CONTACTS	15	2	MDP308GF - 15P2	1-1236089-2
10.72	5.97	19.28	10.72	12.55	8.36	24.99	16.92	30.81	PLUG WITH #20 PIN CONTACTS	9	1	MDP308GF - 9P2	1-1236089-1
												FLOATING BUSHING	

COUPE A-A ECHELLE 4:1



SEE NOTES ON LAST SHEET

THIS DRAWING IS A CONTROLLED DOCUMENT.

DWN J. THUEZ 29MAY2009
 CHK Y. PETRONIN 03JUN2009
 APVD Y. PETRONIN 03JUN2009

STE TE Connectivity

NAME SUB D PLUG WITH WIRE BUSHING MDP TYPE

PRODUCT SPEC

APPLICATION SPEC NOTE 7

WEIGHT -

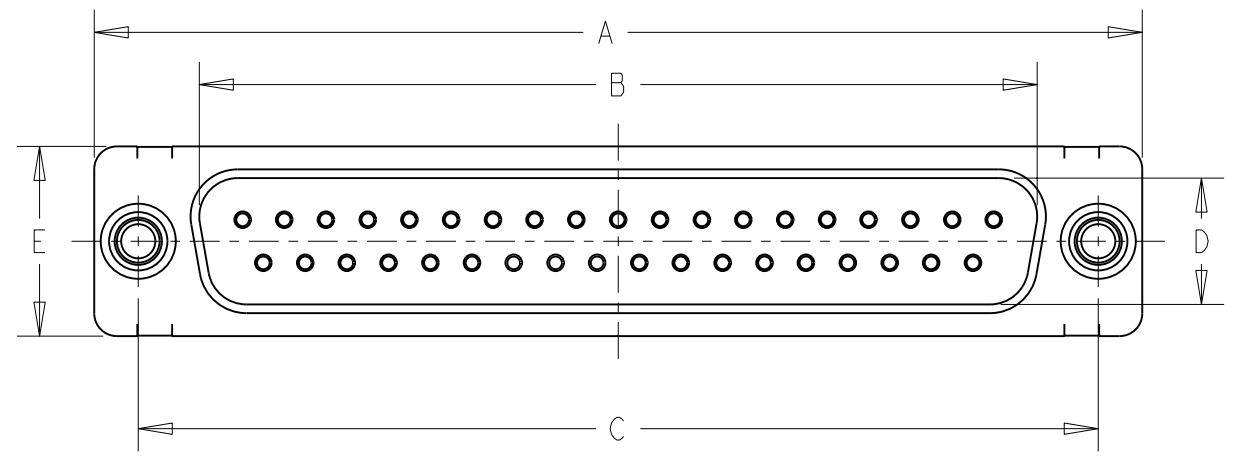
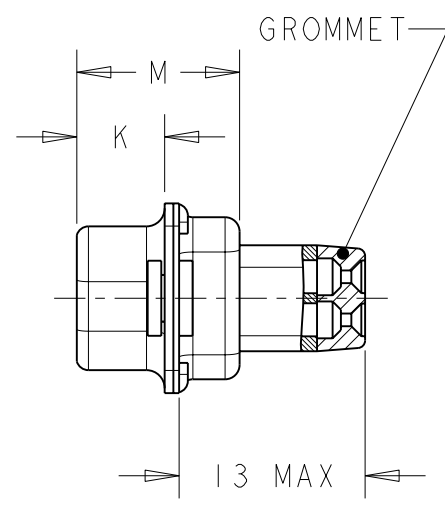
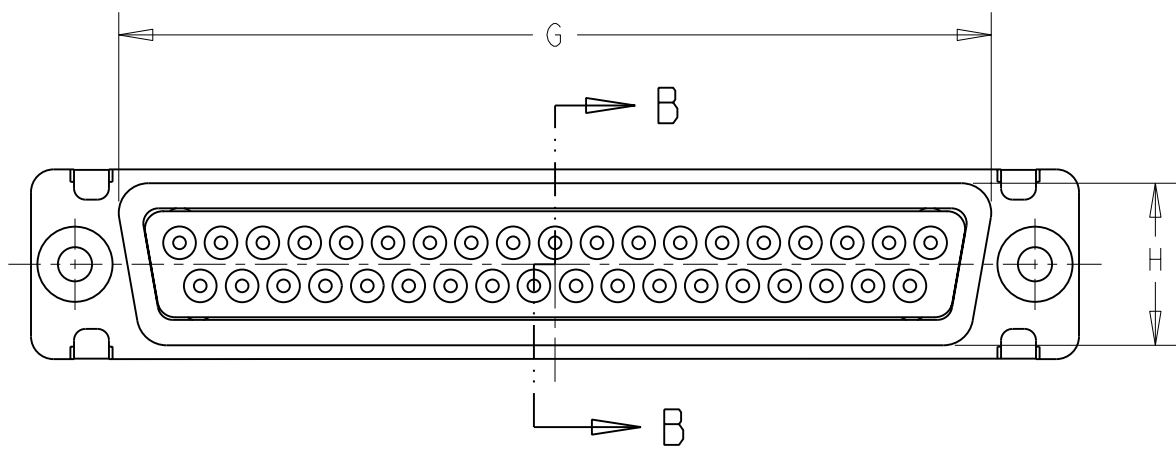
SIZE A3 CAGE CODE 00779 DRAWING NO C-1236089 RESTRICTED TO -

CUSTOMER DRAWING SCALE 2:1 SHEET 3 OF 6 REV E

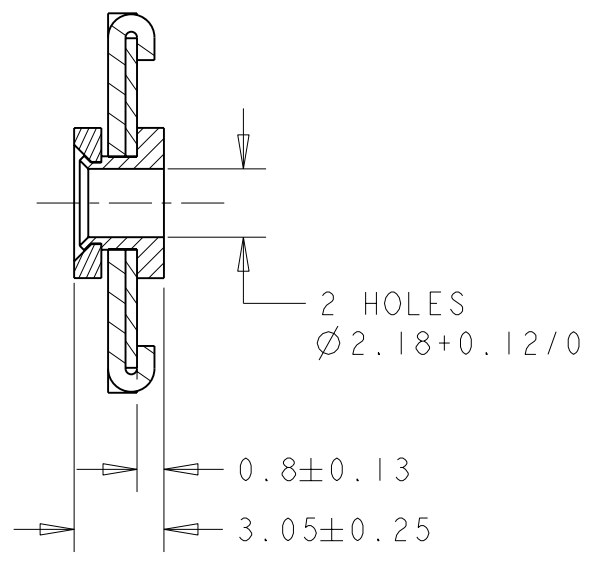
LOC	DIST	REVISIONS			
P	LTR	DESCRIPTION	DATE	DWN	APVD
F	00	-	SEE SHEET 1	-	-

PLUG TYPE MDP

SECTION B-B



COUPE A-A ECHELLE 4:1



M±0.25	K±0.13	G±0.25	H±0.25	E±0.38	D±0.13	C±0.13	B±0.13	A±0.38	DESCRIPTION	NB POS	SIZE	OLD P/N	P/N
10.82	5.84	58.47	15.14	16.97	12.78	63.50	56.18	69.32	PLUG	104	6	MDP308GF - 66104P2 - 001	6-1236089-1
10.82	5.84	55.32	13.56	15.37	11.20	61.11	52.81	66.93	PLUG	78	5	MDP308GF - 5078P2 - 001	6-1236089-0
10.82	5.84	57.71	10.72	12.55	8.36	63.50	55.42	69.32	PLUG	62	4	MDP308GF - 3762P2 - 001	5-1236089-9
10.82	5.84	41.30	10.72	12.55	8.36	47.04	38.96	53.04	PLUG	44	3	MDP308GF - 2544P2 - 001	5-1236089-8
10.72	5.97	27.51	10.72	12.55	8.36	33.32	25.25	39.14	PLUG	26	2	MDP308GF - 1526P2 - 001	5-1236089-7
10.72	5.97	19.28	10.72	12.55	8.36	24.99	16.92	30.81	PLUG	15	1	MDP308GF - 915P2 - 001	5-1236089-6
10.82	5.84	58.47	15.14	16.97	12.78	63.50	56.18	69.32	PLUG WITH #22 PIN CONTACTS	104	6	MDP308GF - 66104P2	5-1236089-5
10.82	5.84	55.32	13.56	15.37	11.20	61.11	52.81	66.93	PLUG WITH #22 PIN CONTACTS	78	5	MDP308GF - 5078P2	5-1236089-4
10.82	5.84	57.71	10.72	12.55	8.36	63.50	55.42	69.32	PLUG WITH #22 PIN CONTACTS	62	4	MDP308GF - 3762P2	5-1236089-3
10.82	5.84	41.30	10.72	12.55	8.36	47.04	38.96	53.04	PLUG WITH #22 PIN CONTACTS	44	3	MDP308GF - 2544P2	5-1236089-2
10.72	5.97	27.51	10.72	12.55	8.36	33.32	25.25	39.14	PLUG WITH #22 PIN CONTACTS	26	2	MDP308GF - 1526P2	5-1236089-1
10.72	5.97	19.28	10.72	12.55	8.36	24.99	16.92	30.81	PLUG WITH #22 PIN CONTACTS	15	1	MDP308GF - 915P2	5-1236089-0

SEE NOTES ON LAST SHEET

THIS DRAWING IS A CONTROLLED DOCUMENT.

DIMENSIONS: mm

TOLERANCES UNLESS OTHERWISE SPECIFIED:

0 PLC	±0.5
1 PLC	±0.1
2 PLC	±0.02
3 PLC	±0.005
4 PLC	±
ANGLES	±0.30°

MATERIAL NOTE 3 FINISH NOTE 4

APVD: J. THUEZ 29MAY2009
 CHK: Y. PETRONIN 03JUN2009
 APVD: Y. PETRONIN 03JUN2009

PRODUCT SPEC:

APPLICATION SPEC: NOTE 7

WEIGHT: -

CUSTOMER DRAWING

SCALE 2:1 SHEET 4 OF 6 REV E

NAME: SUB D PLUG WITH WIRE BUSHING MDP TYPE

SIZE: A3 CAGE CODE: 300779 DRAWING NO: 1236089

RESTRICTED TO: -

TE Connectivity

4 3 2 1

THIS DRAWING IS UNPUBLISHED. RELEASED FOR PUBLICATION 20

© COPYRIGHT 20 Tyco Electronics AMP GmbH ALL RIGHTS RESERVED.

LOC F DIST 00 REVISIONS

P	LTR	DESCRIPTION	DATE	DWN	APVD
	-	SEE SHEET 1	-	-	-

MATING FACE OF PLUG SHOWN
CONFIGURATIONS FOR #20 CONTACTS

9 POSITION MS18273-1
SHELL SIZE 1

15 POSITION MS18274-1
SHELL SIZE 2

25 POSITION MS18275-1
SHELL SIZE 3

37 POSITION MS18276-1
SHELL SIZE 4

50 POSITION MS18277-1
SHELL SIZE 5

CONFIGURATIONS FOR #22 CONTACTS
MATING FACE OF PLUG SHOWN

15 POSITION MS18273-2
SHELL SIZE 1

26 POSITION MS18274-2
SHELL SIZE 2


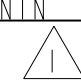
44 POSITION MS18275-2
SHELL SIZE 3

62 POSITION MS18276-2
SHELL SIZE 4

78 POSITION MS18277-2
SHELL SIZE 5

104 POSITION MS14004-1
SHELL SIZE 6

SEE NOTES ON LAST SHEET

THIS DRAWING IS A CONTROLLED DOCUMENT.		DWN J. THUEZ 29MAY2009	 TE Connectivity	
DIMENSIONS: mm		CHK Y. PETRONIN 03JUN2009		
TOLERANCES UNLESS OTHERWISE SPECIFIED:		APVD Y. PETRONIN 03JUN2009	NAME SUB D PLUG WITH WIRE BUSHING MDP TYPE	
0 PLC ±0.5 1 PLC ±0.1 2 PLC ±0.02 3 PLC ±0.005 4 PLC ANGLES ±°030'		PRODUCT SPEC 	SIZE A3 CAGE CODE 00779 DRAWING NO C-1236089 RESTRICTED TO -	
MATERIAL NOTE 3 FINISH NOTE 4		APPLICATION SPEC NOTE 7	SCALE 2:1 SHEET 5 OF 6 REV E	
		WEIGHT -	CUSTOMER DRAWING	

1470-19 (3/11)

Downloaded From Onevac.com

THIS DRAWING IS UNPUBLISHED. RELEASED FOR PUBLICATION 20
 © COPYRIGHT 20 Tyco Electronics AMP GmbH ALL RIGHTS RESERVED.

LOC	DIST	REVISIONS			
P	LTR	DESCRIPTION	DATE	DWN	APVD
F	00	-	SEE SHEET 1	-	-

1 THIS CONNECTOR MEETS THE REQUIREMENTS OF MIL-DTL-24308

2 PART NUMBER FOR ORDERING

3- MATERIALS :
 SHELL : STEEL,CD PLATED
 HOUSING : PBT,GLASS FILLED,UL94VO
 RETAINING CLIP : STAINLESS STEEL
 GROMMET : FLUOROSILICONE ELASTOMER
 CONTACT:COPPER ALLOY,GOLD PLATED OVER NICKEL

4- CABLES EXTERNAL DIAMETER FOR CONTACTS #20 : $\varnothing 0.85$ to $\varnothing 1.83$
 CABLES EXTERNAL DIAMETER FOR CONTACTS #22 : $\varnothing 1.37$ MAX

5- CONNECTOR MARKING:
 . MANUFACTURER IDENTIFICATION
 . PART NUMBER
 . DATE-CODE

6- INSERT ARRANGEMENT PER MIL-DTL-24308


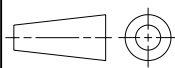
7- FOR CONTACT CRIMPING INSTRUCTION SHEET REFER TO SPEC IS 7516
 FOR CONTACT INSTALATION/ REMOVAL INSTRUCTION SHEET REFER TO SPEC IS 7508

8- #20 SOCKET CRIMP CONTACT P/N: 205090-1
 #20 PIN CRIMP CONTACT P/N: 205089-1

#22D SOCKET CRIMP CONTACT P/N: 204351-1
 #22D PIN CRIMP CONTACT P/N: 204370-2

9- INSERTION/EXTRACTION TOOL P/N: 91067-2
 INSERTION/EXTRACTION TOOL P/N: 91067-1

10- CRIMP WITH HAND TOOL: 601966-1+ DIE INSERT : 601966-4
 CRIMP WITH HAND TOOL: M22520/02-01 + POSITIONNER : M22520/02-06

THIS DRAWING IS A CONTROLLED DOCUMENT.		DWN J. THUEZ 29MAY2009	 TE Connectivity	
DIMENSIONS: mm		CHK Y. PETRONIN 03JUN2009		
		APVD Y. PETRONIN 03JUN2009	NAME SUB D PLUG WITH WIRE BUSHING MDP TYPE	
TOLERANCES UNLESS OTHERWISE SPECIFIED: 0 PLC ±0.5 1 PLC ±0.1 2 PLC ±0.02 3 PLC ±0.005 4 PLC ± ANGLES ±0.30°		PRODUCT SPEC -	RESTRICTED TO -	
MATERIAL NOTE 3		APPLICATION SPEC NOTE 7	SIZE A3	CAGE CODE 00779
FINISH NOTE 4		WEIGHT -	DRAWING NO C-1236089	SCALE 2:1
CUSTOMER DRAWING			SHEET 6	OF 6
			REV E	

单击下面可查看定价，库存，交付和生命周期等信息

[>>TE Connectivity\(泰科\)](#)