

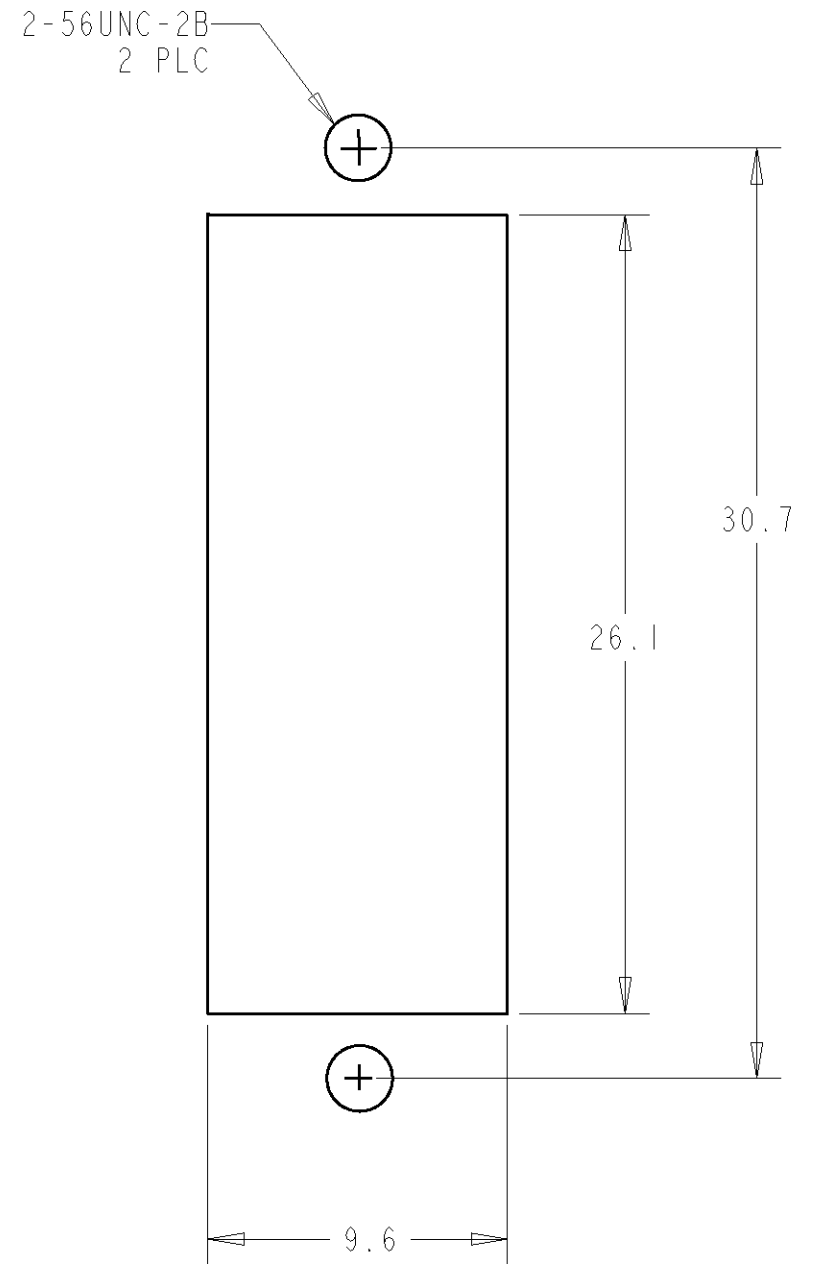
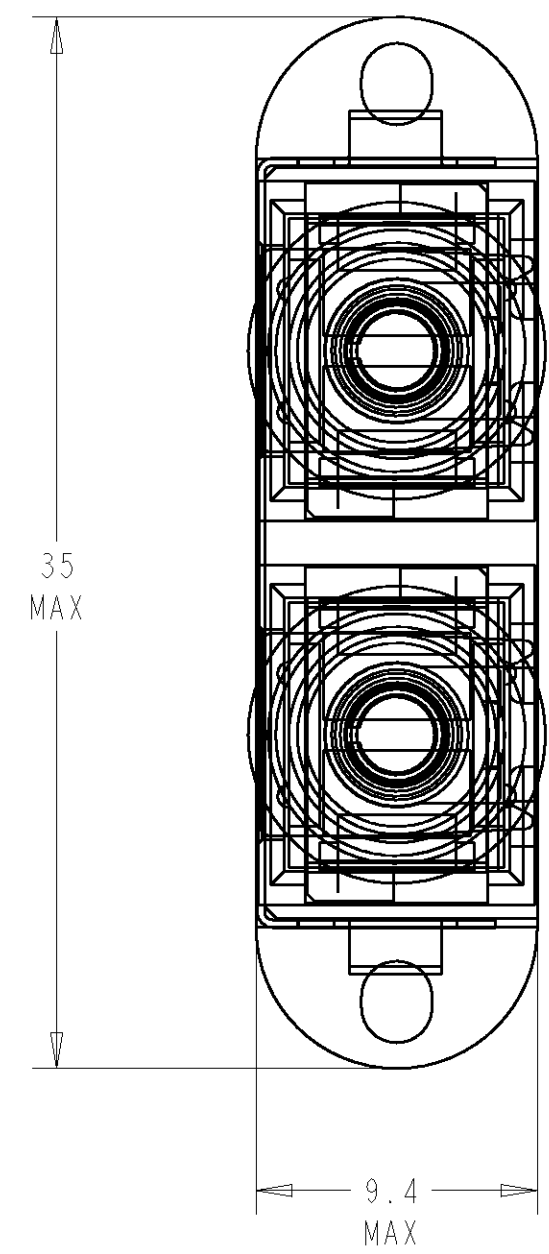
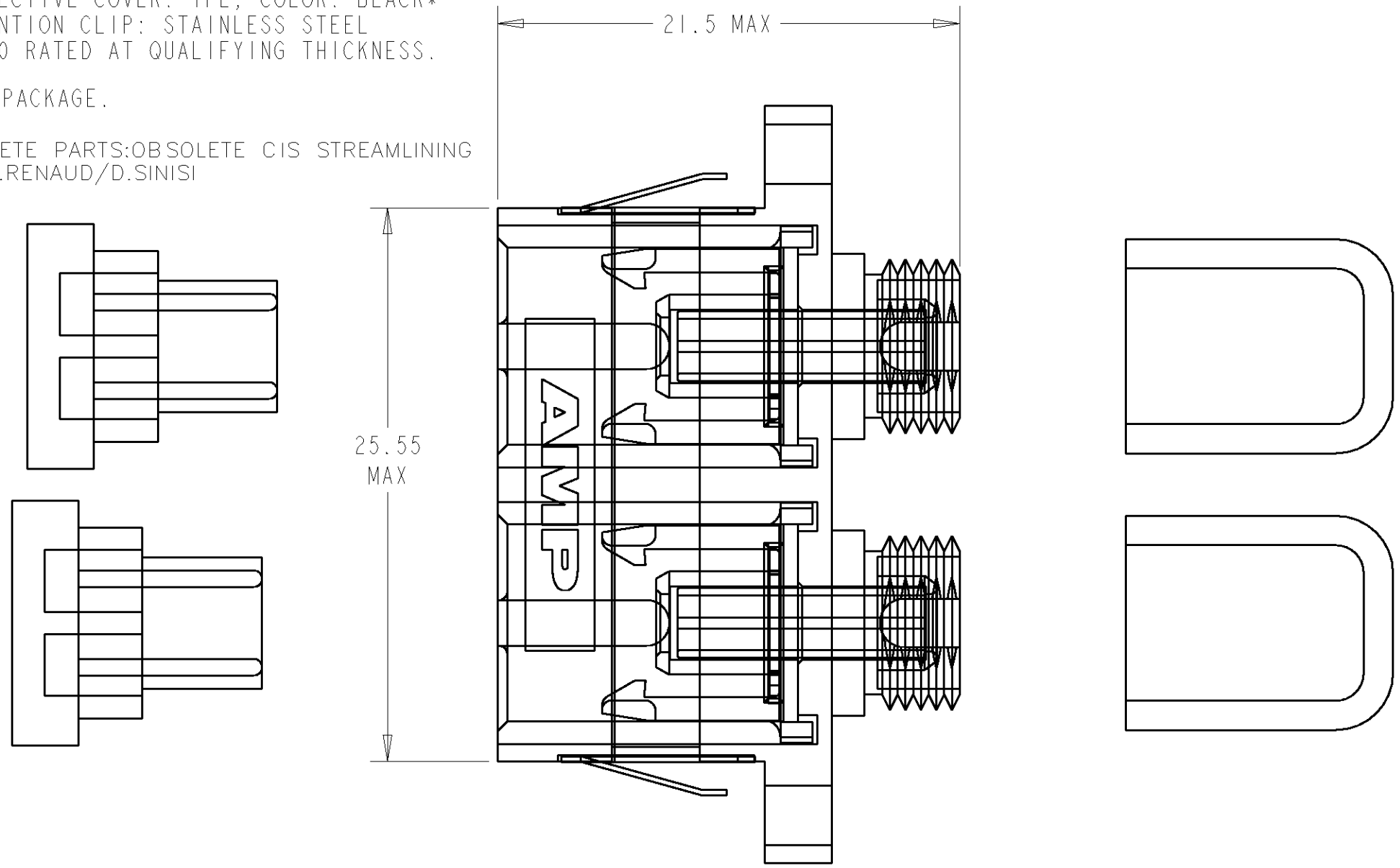
THIS DRAWING IS UNPUBLISHED. RELEASED FOR PUBLICATION .19
 © COPYRIGHT 19 BY AMP INCORPORATED. ALL RIGHTS RESERVED.

LOC		DIST		REVISIONS			
P	LTR	DESCRIPTION	DATE	DWN	APVD		
	A	REV PER EC 0A00-0088-99	3-1-99	DDE	JE		
	B	REVISE PER ECR-05-010010	01SEPT2005	BB	SB		
	B1	REVISED PER ECO-10-000445	27JAN10	KK	HMR		

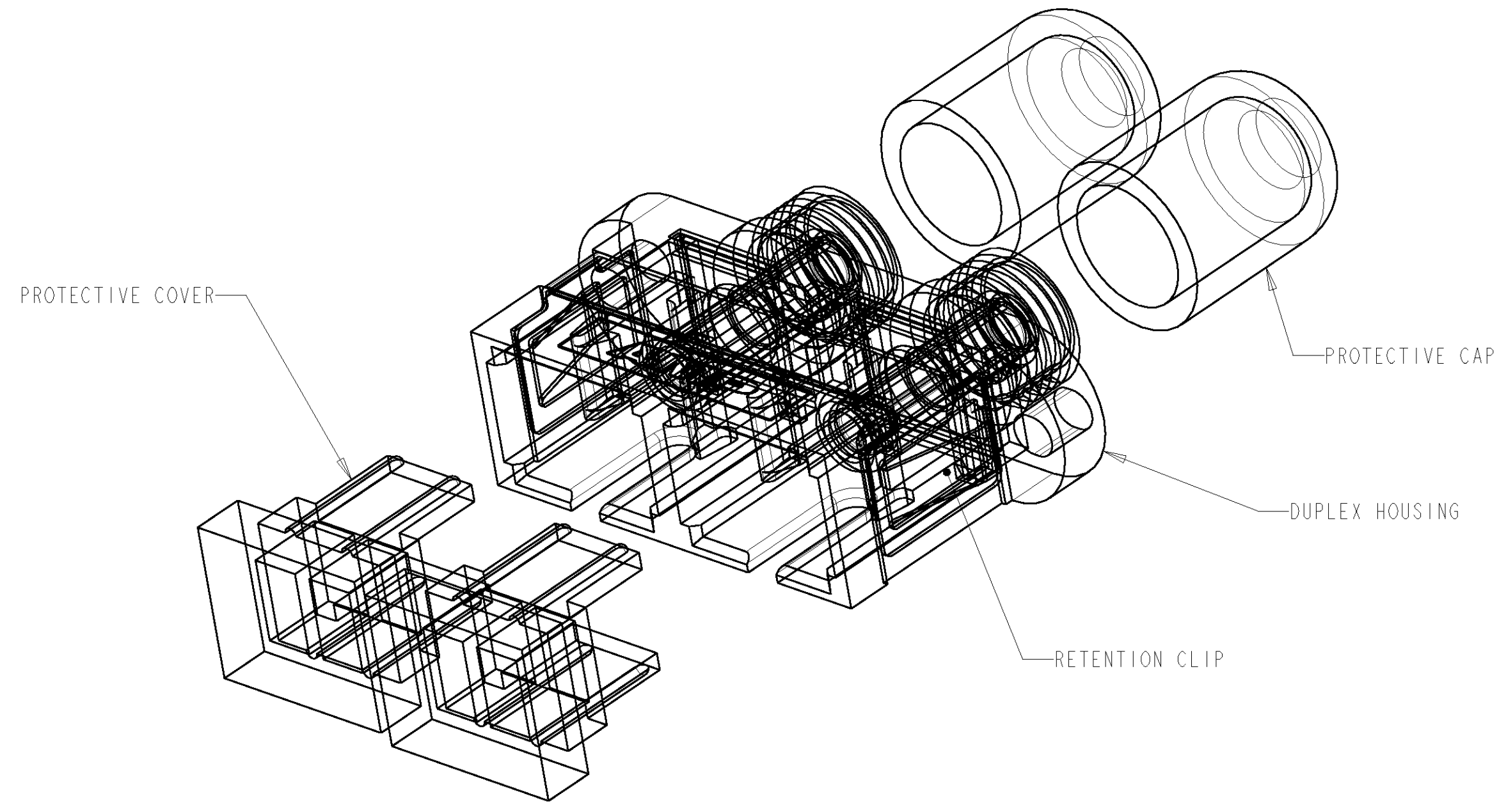
1 MATERIAL:
 HOUSING: ZINC
 RETAINER: PEI-GF30, COLOR: BLACK*
 ALIGNMENT SLEEVE: SEE DASH NO'S
 PROTECTIVE CAP: VINYL
 PROTECTIVE COVER: TPE, COLOR: BLACK*
 RETENTION CLIP: STAINLESS STEEL
 *UL94 V-0 RATED AT QUALIFYING THICKNESS.

2 BULK PACKAGE.

3 OBSOLETE PARTS:OBSOLETE CIS STREAMLINING PER D.RENAUD/D.SINISI



SUGGESTED PANEL CUTOUT
 MAX. PANEL THICKNESS 1.7



2 3 SUPERCEDED BY 6278050-4

CERAMIC	1278050-4
CERAMIC	1278050-3
METAL	1278050-1
ALIGNMENT SLEEVE	PART NO

THIS DRAWING IS A CONTROLLED DOCUMENT FOR AMP INCORPORATED. IT IS SUBJECT TO CHANGE AND THE CONTROLLING ENGINEERING ORGANIZATION SHOULD BE CONTACTED FOR THE LATEST REVISION.		DWN D ERDMAN 3-31-98	AMP Incorporated Harrisburg, PA 17105-3608	NAME ASSEMBLY, DUPLEX RECEPTACLE, SC/FC DIECAST HOUSING		
DIMENSIONS: mm		CHR J ENGLISH 3-31-98		PRODUCT SPEC	SIZE A2	CAGE CODE 00779
TOLERANCES UNLESS OTHERWISE SPECIFIED: 0 PLC ± 1 PLC ± 2 PLC ± 3 PLC ± 4 PLC ± ANGLES ± FINISH -		APVD K MONROE 3-31-98		APPLICATION SPEC	DRAWING NO C=1278050	RESTRICTED TO
MATERIAL		WEIGHT		SCALE 4:1	SHEET OF	REV B1
CUSTOMER DRAWING						

单击下面可查看定价，库存，交付和生命周期等信息

[>>TE Connectivity\(泰科\)](#)