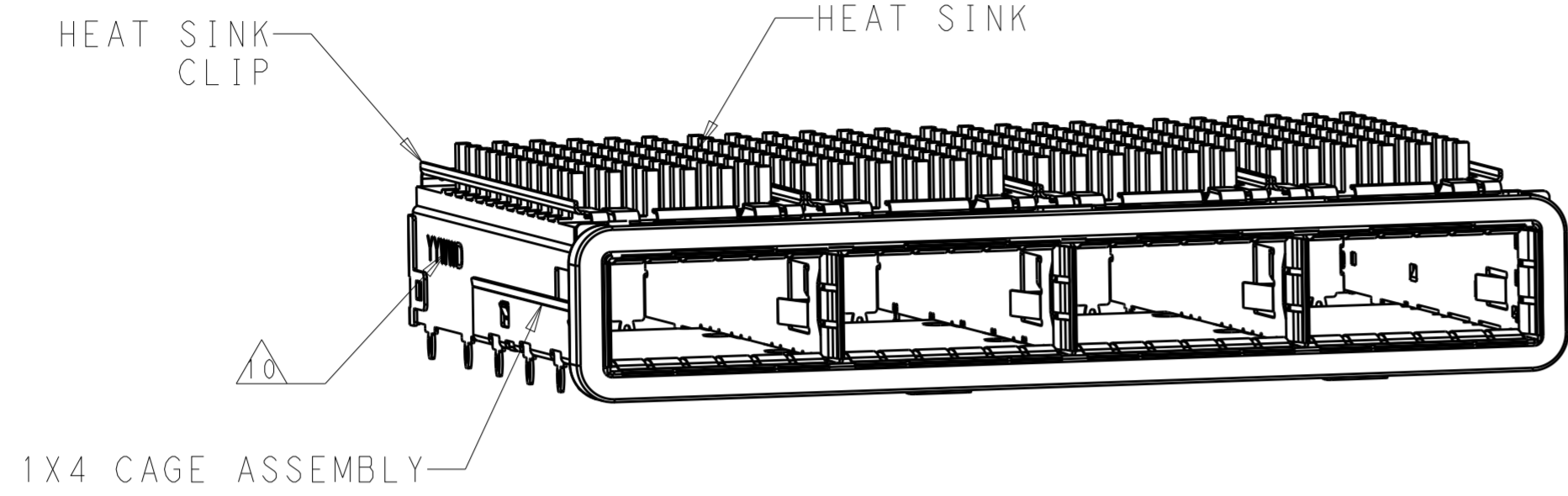
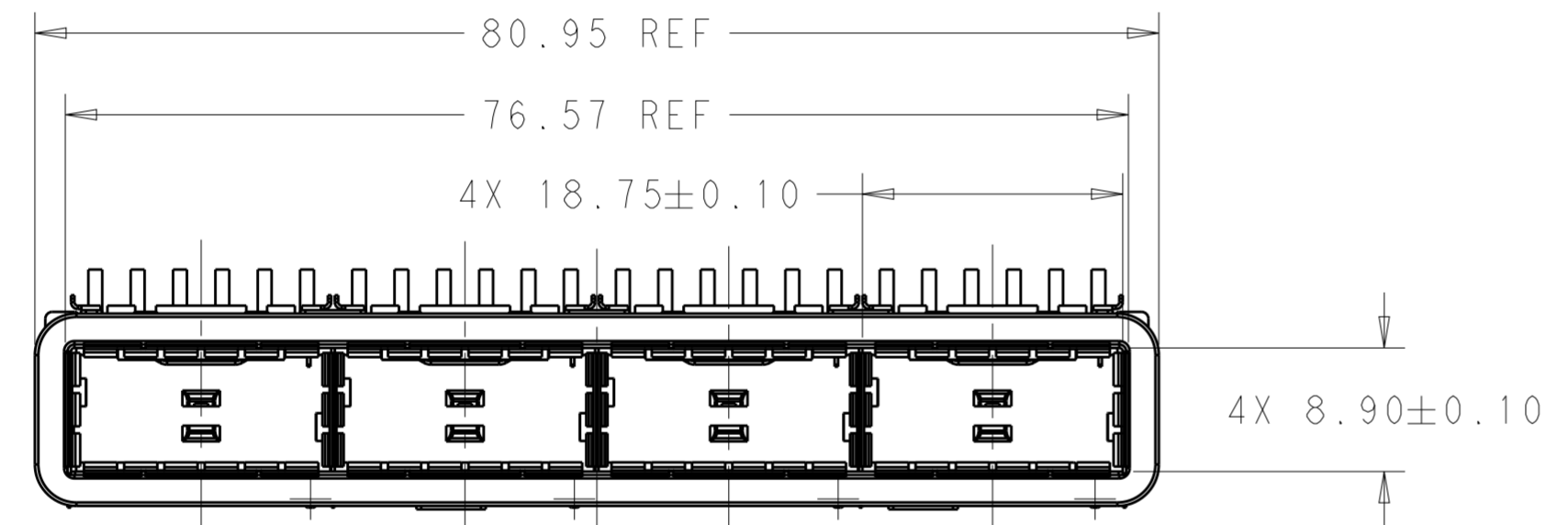


THIS DRAWING IS UNPUBLISHED. RELEASED FOR PUBLICATION 20
 © COPYRIGHT 20 BY - ALL RIGHTS RESERVED.

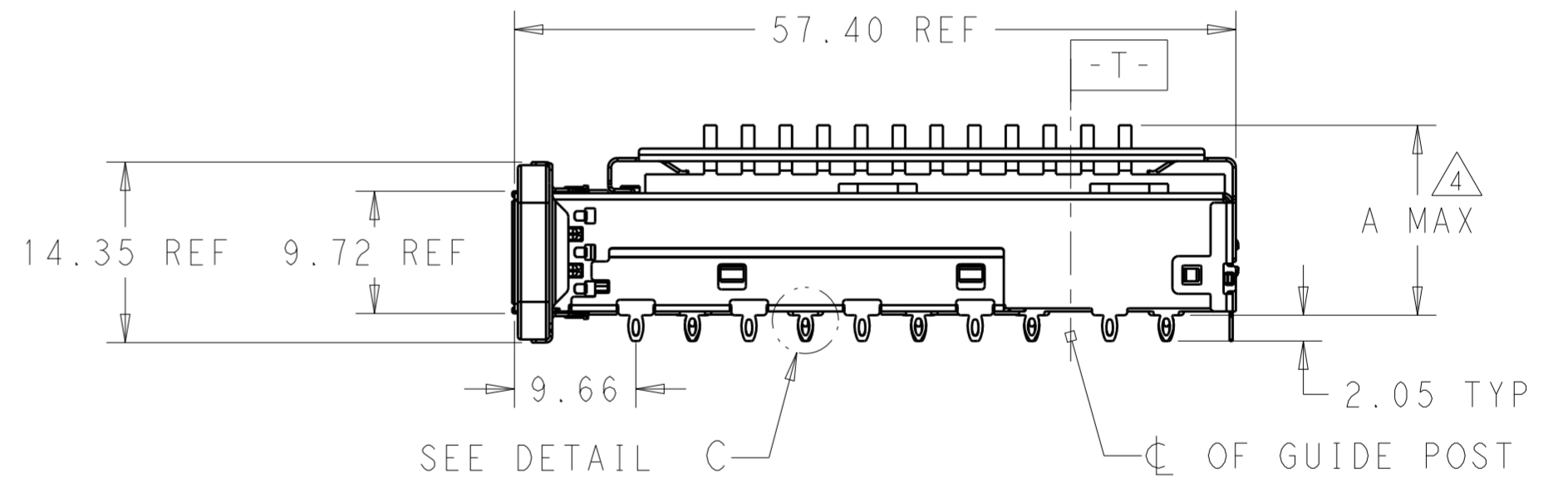
REVISIONS				
P	LTR	DESCRIPTION	DATE	APVD
A		INITIAL RELEASE	02FEB2016	JY SH



- COMPONENTS
 CAGE ASSEMBLY: NICKEL-SILVER ALLOY
 HEAT SINK: ALUMINUM/BLACK ANODIZE
 HEAT SINK CLIP: STAINLESS STEEL
 EMI SPRING: COPPER ALLOY/NICKEL PLATE
 EMI GASKET: PLATED FILLED SILICONE
- REFERENCE APPLICATION SPECIFICATION 114-32023 FOR RECOMMENDED DRILL HOLE DIAMETER AND PLATING THICKNESS
- DATUM AND BASIC DIMENSION ESTABLISHED BY CUSTOMER
- DIMENSION APPLIES WITH MODULE INSERTED IN CAGE
- HEAT SINKS, HEAT SINK CLIPS AND LIGHT PIPES ARE SHIPPED ASSEMBLED ON CAGE
- MINIMUM PC BOARD THICKNESS: SINGLE SIDED: 1.57 MIN
 DOUBLE SIDED: 3.00 MIN
- DATUM -A- IS TOP SURFACE OF THE HOST BOARD.
- THESE HOLES ARE OPTIONAL WHEN THE REAR PINS ARE REMOVED.
- MATES WITH QSFP28 MSA COMPATIBLE TRANSCEIVER.
- DATE CODE (YYWWD) MARKED APPROXIMATELY AS SHOWN.

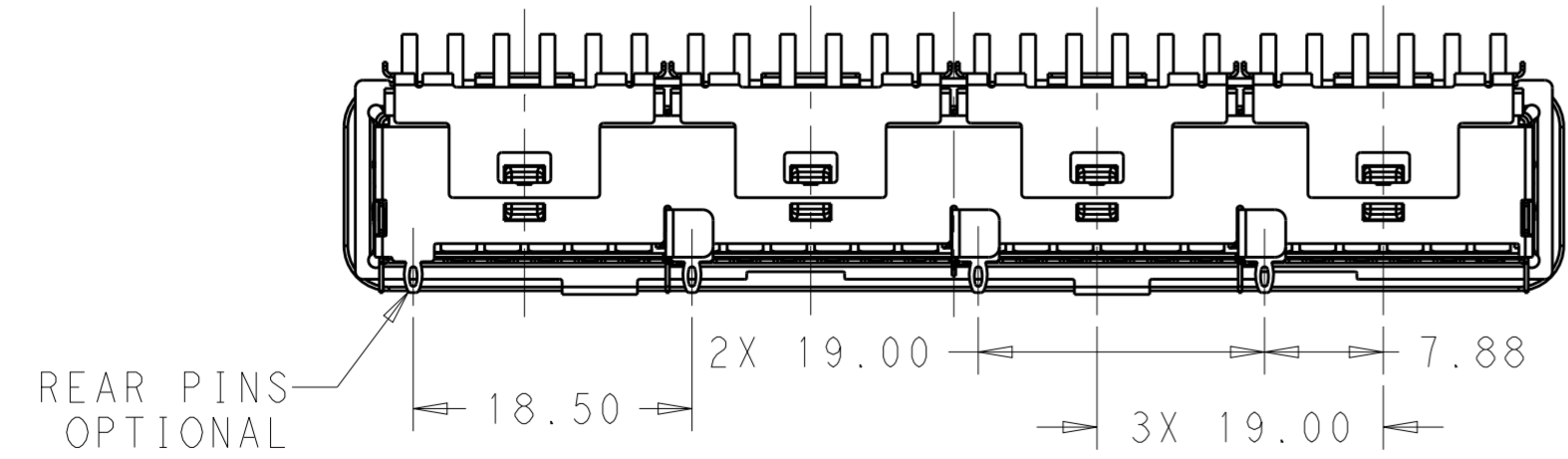


SCALE 2:1

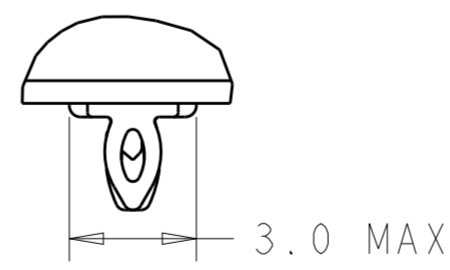


SEE DETAIL C

23.0	WITHOUT	NETWORKING	2170783-6
16.0	WITHOUT	SAN	2170783-5
13.7	WITHOUT	PCI	2170783-4
23.0	WITH	NETWORKING	2170783-3
16.0	WITH	SAN	2170783-2
13.7	WITH	PCI	2170783-1
DIM A	REAR PINS OPTIONAL	APPLICATION	PART NUMBER



BACK VIEW SCALE 2:1



DETAIL C SCALE 6:1

THIS DRAWING IS A CONTROLLED DOCUMENT. 08 JUN 2014
 DWN JASON YANG
 CHK SEAN HAN 02 FEB 2016
 APVD -

STE TE Connectivity

NAME: RECEPTACLE CAGE ASSEMBLY 1X4, QSFP28 WITH HEAT SINKS THRU BEZEL, GASKET

PRODUCT SPEC: 108-19428
 APPLICATION SPEC: 114-32023

SIZE: A2 CAGE CODE: 00779 DRAWING NO: C-2170783

RESTRICTED TO: -

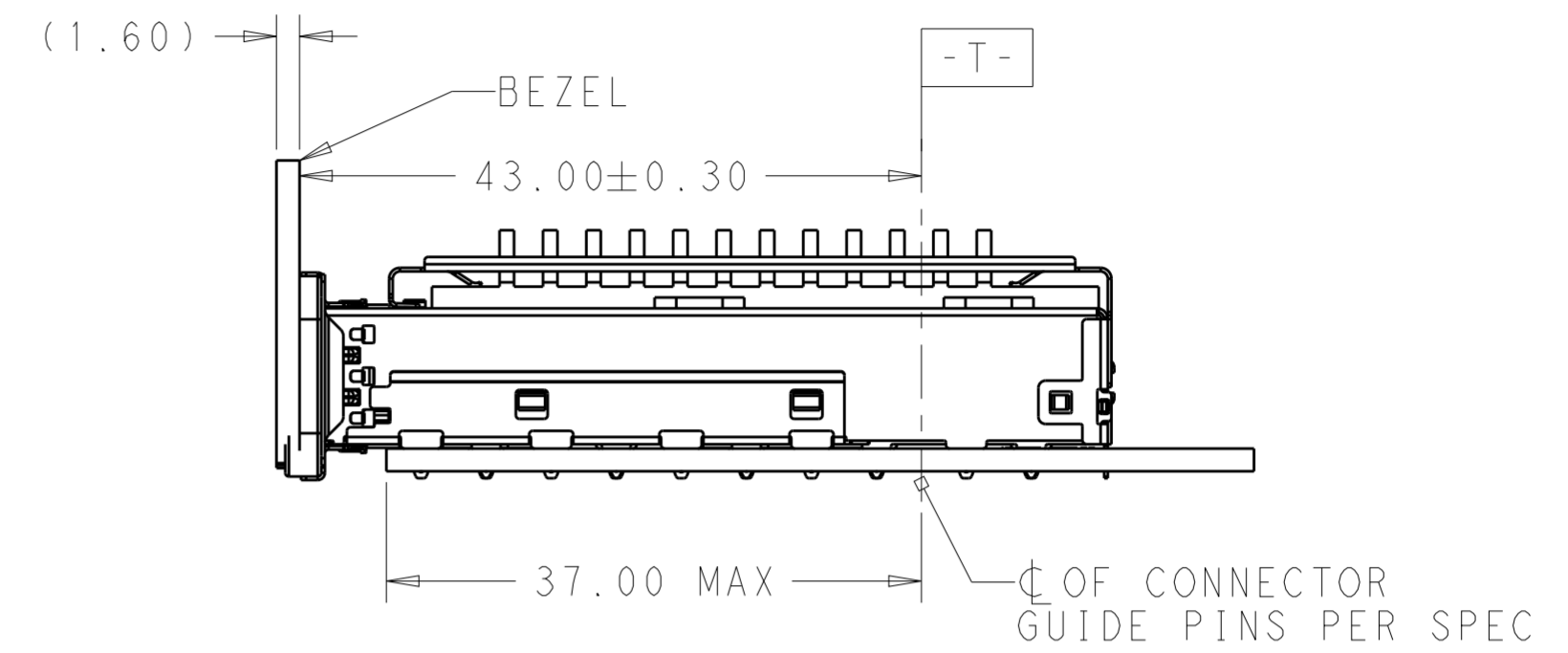
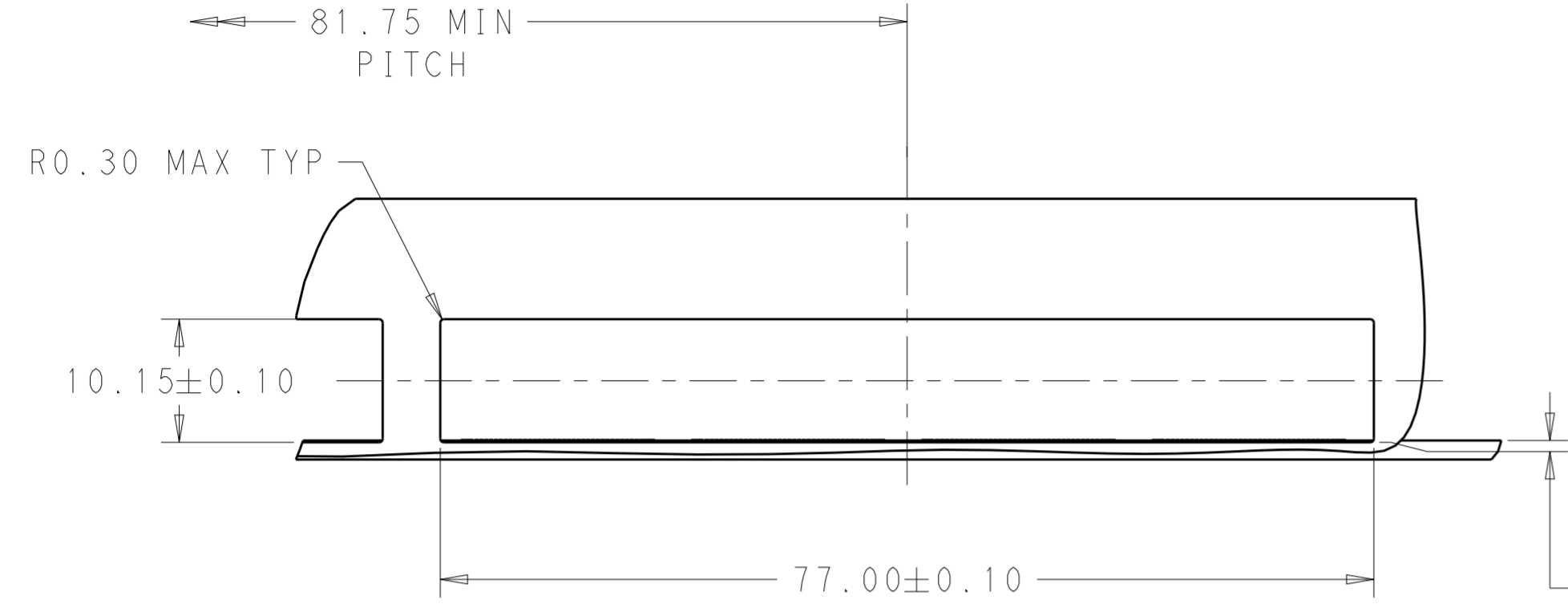
MATERIAL: SEE NOTES TOLERANCES UNLESS OTHERWISE SPECIFIED:
 0 PLC ±
 1 PLC ±0.25
 2 PLC ±0.2
 3 PLC ±
 4 PLC ±
 ANGLES ±
 FINISH SEE NOTES

WEIGHT: -
 CUSTOMER DRAWING

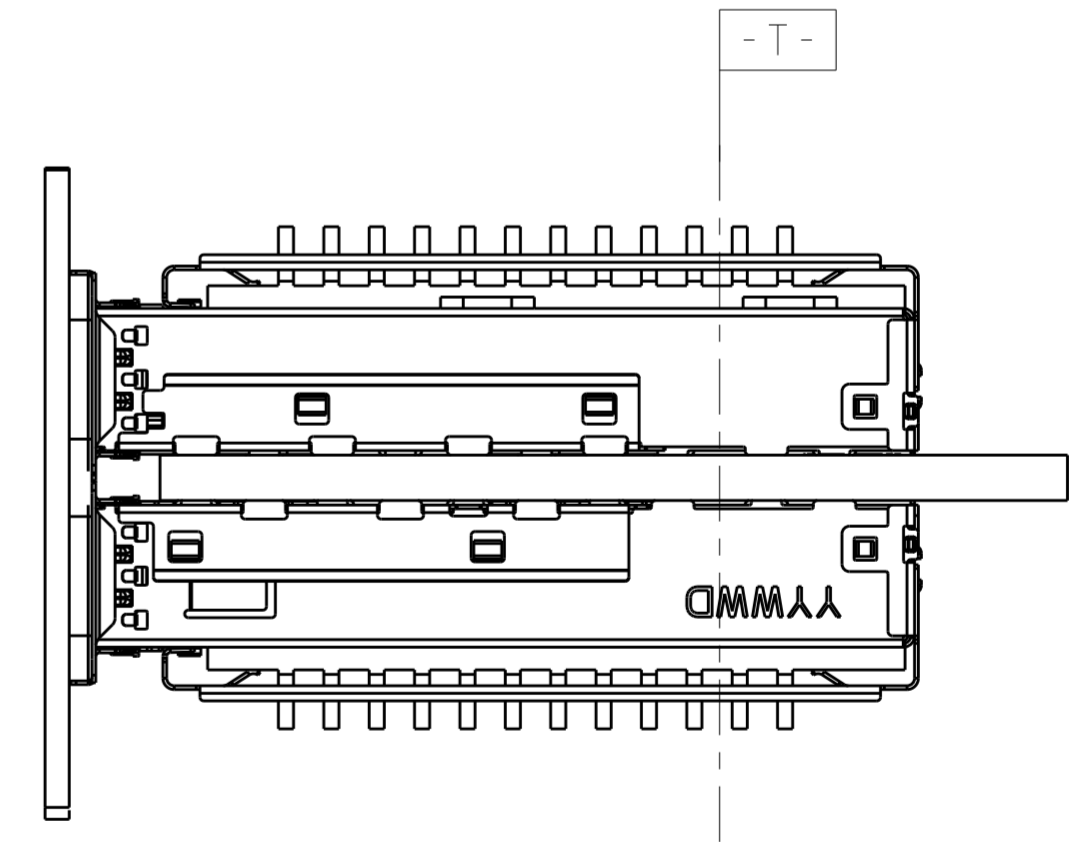
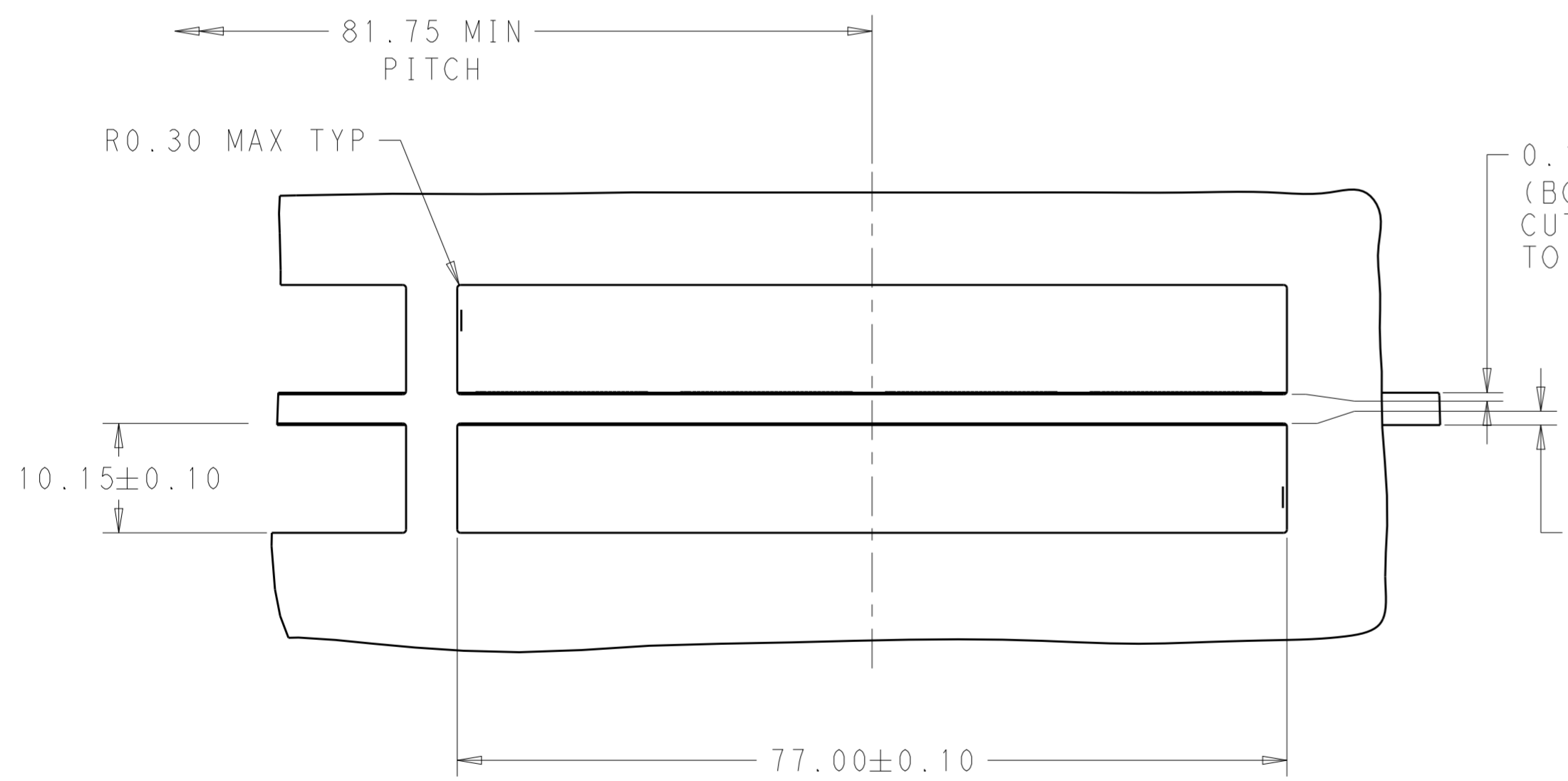
SCALE: 3:1 SHEET: 1 OF 5 REV: A

THIS DRAWING IS UNPUBLISHED. RELEASED FOR PUBLICATION 20
 © COPYRIGHT 20 BY - ALL RIGHTS RESERVED.

REVISIONS				
P	LTR	DESCRIPTION	DATE	APVD
-	-	SEE SHEET 1	-	-



SINGLE SIDE MOUNTING
SCALE 2:1

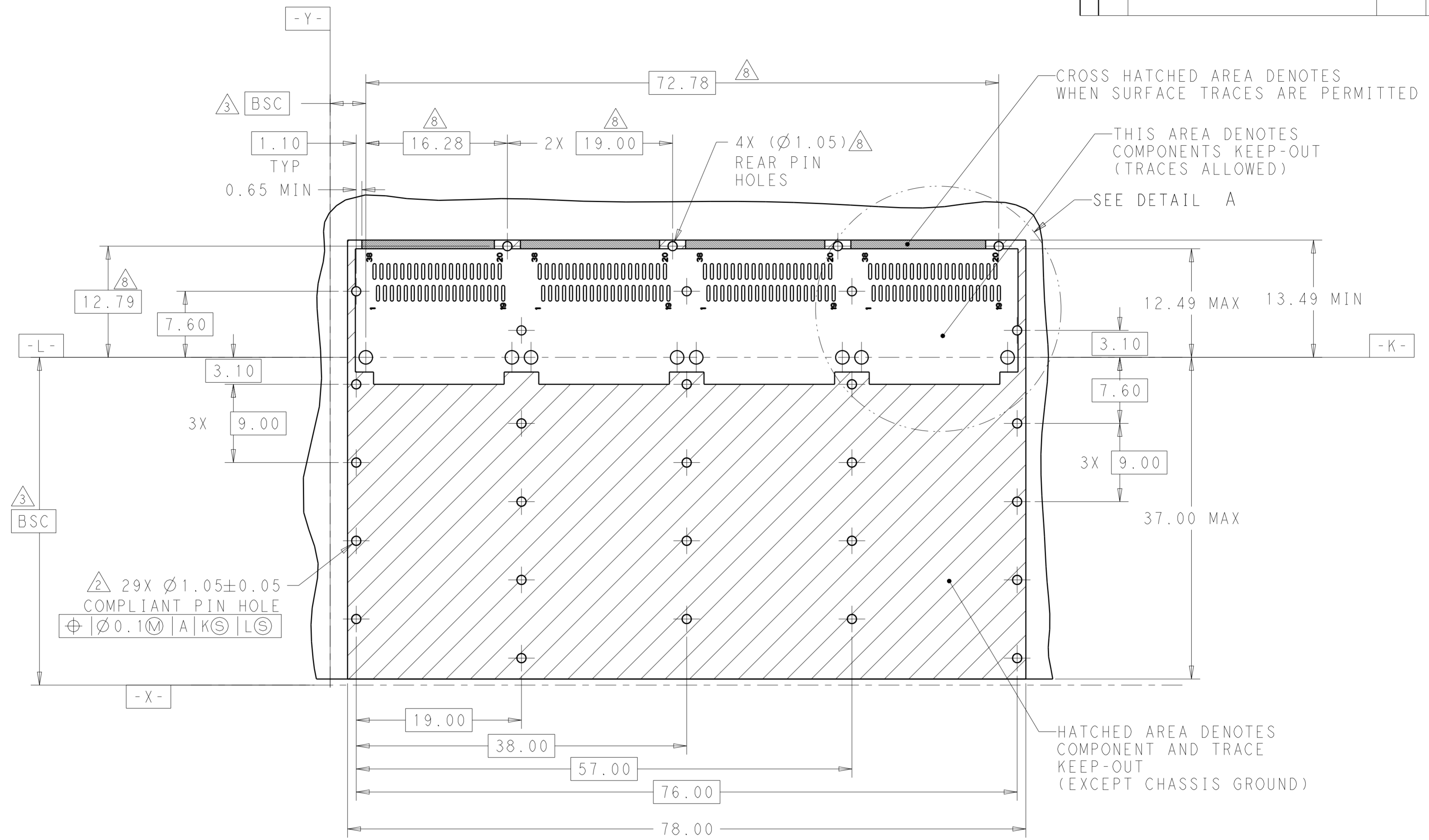


BELLY TO BELLY MOUNTING
SCALE 2:1

THIS DRAWING IS A CONTROLLED DOCUMENT.		DWN JASON YANG 08JUN2014	TE Connectivity	
		CHK SEAN HAN 02FEB2016		
DIMENSIONS:	TOLERANCES UNLESS OTHERWISE SPECIFIED:	APVD	NAME	RESTRICTED TO
mm	0 PLC ± 1 PLC ±0.25 2 PLC ±0.2 3 PLC ± 4 PLC ±	PRODUCT SPEC	RECEPTACLE CAGE ASSEMBLY	
		APPLICATION SPEC	1X4, QSFP28 WITH HEAT SINKS	
MATERIAL	FINISH	114-32023	THRU BEZEL, GASKET	
SEE NOTES	SEE NOTES	WEIGHT	SIZE CAGE CODE DRAWING NO	
		CUSTOMER DRAWING	A200779 C-2170783	
			SCALE 3:1 SHEET 2 OF 5 REV A	

THIS DRAWING IS UNPUBLISHED. RELEASED FOR PUBLICATION 20
 © COPYRIGHT 20 BY - ALL RIGHTS RESERVED.

REVISIONS				
P	LTR	DESCRIPTION	DATE	APVD
-	-	SEE SHEET 1	-	-

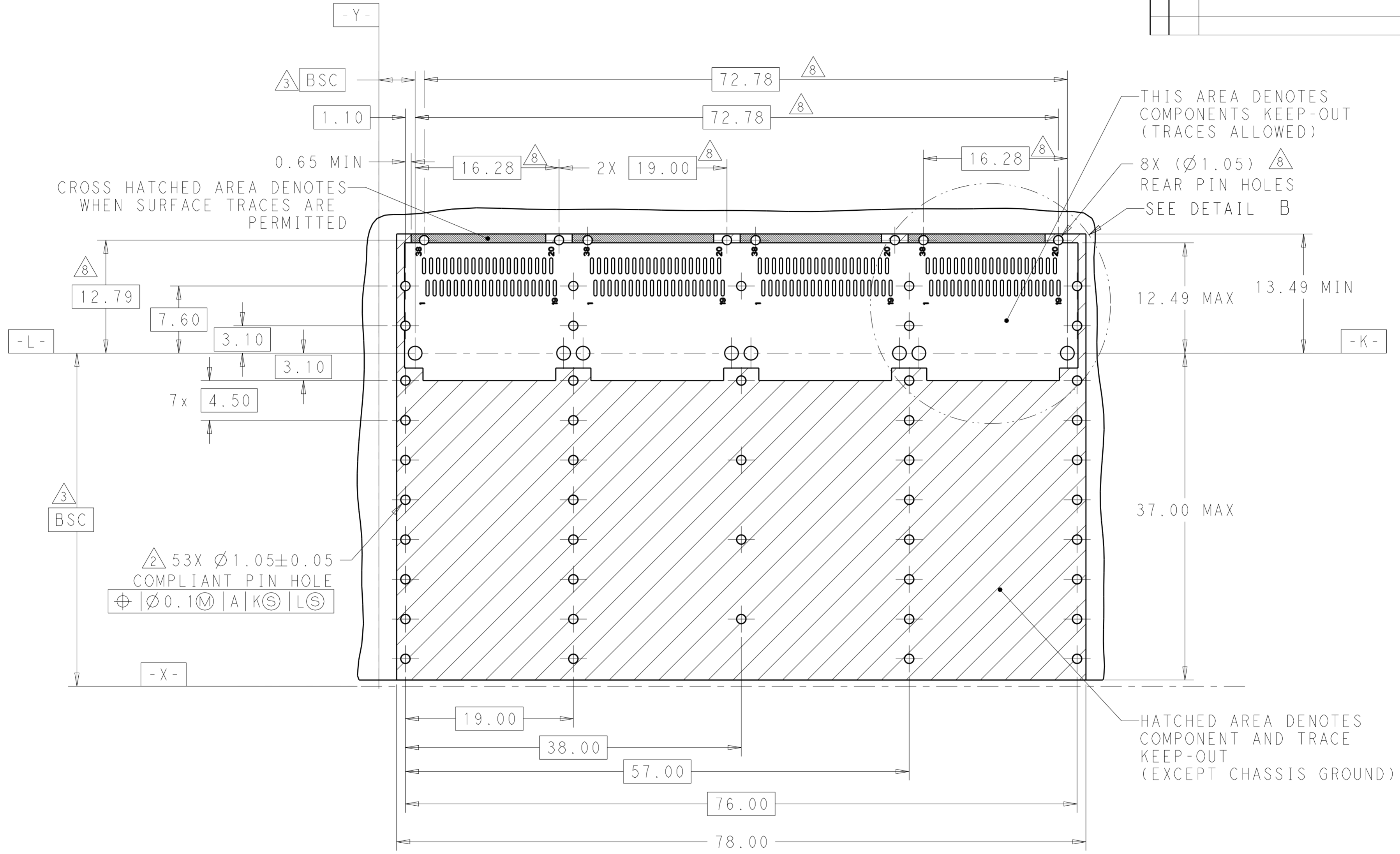


RECOMMENDED PCB LAYOUT
 SINGLE TYPE
 PCB TOLERANCE: ±0.05
 SCALE 3:1

THIS DRAWING IS A CONTROLLED DOCUMENT.		DWN JASON YANG 08JUN2014	TE Connectivity	
		CHK SEAN HAN 02FEB2016		
DIMENSIONS: mm		APVD -	NAME RECEPTACLE CAGE ASSEMBLY 1X4, QSFP28 WITH HEAT SINKS THRU BEZEL, GASKET	
TOLERANCES UNLESS OTHERWISE SPECIFIED: 0 PLC ± 1 PLC ±0.25 2 PLC ±0.2 3 PLC ± 4 PLC ± ANGLES ± FINISH		PRODUCT SPEC 108-19428	SIZE A200779	
MATERIAL SEE NOTES		APPLICATION SPEC 114-32023	DRAWING NO C-2170783	
		WEIGHT -	RESTRICTED TO -	
		CUSTOMER DRAWING	SCALE 3:1 SHEET 3 OF 5 REV A	

THIS DRAWING IS UNPUBLISHED. RELEASED FOR PUBLICATION 20
 © COPYRIGHT 20 BY - ALL RIGHTS RESERVED.

REVISIONS				
P	LTR	DESCRIPTION	DATE	APVD
-	-	SEE SHEET 1	-	-

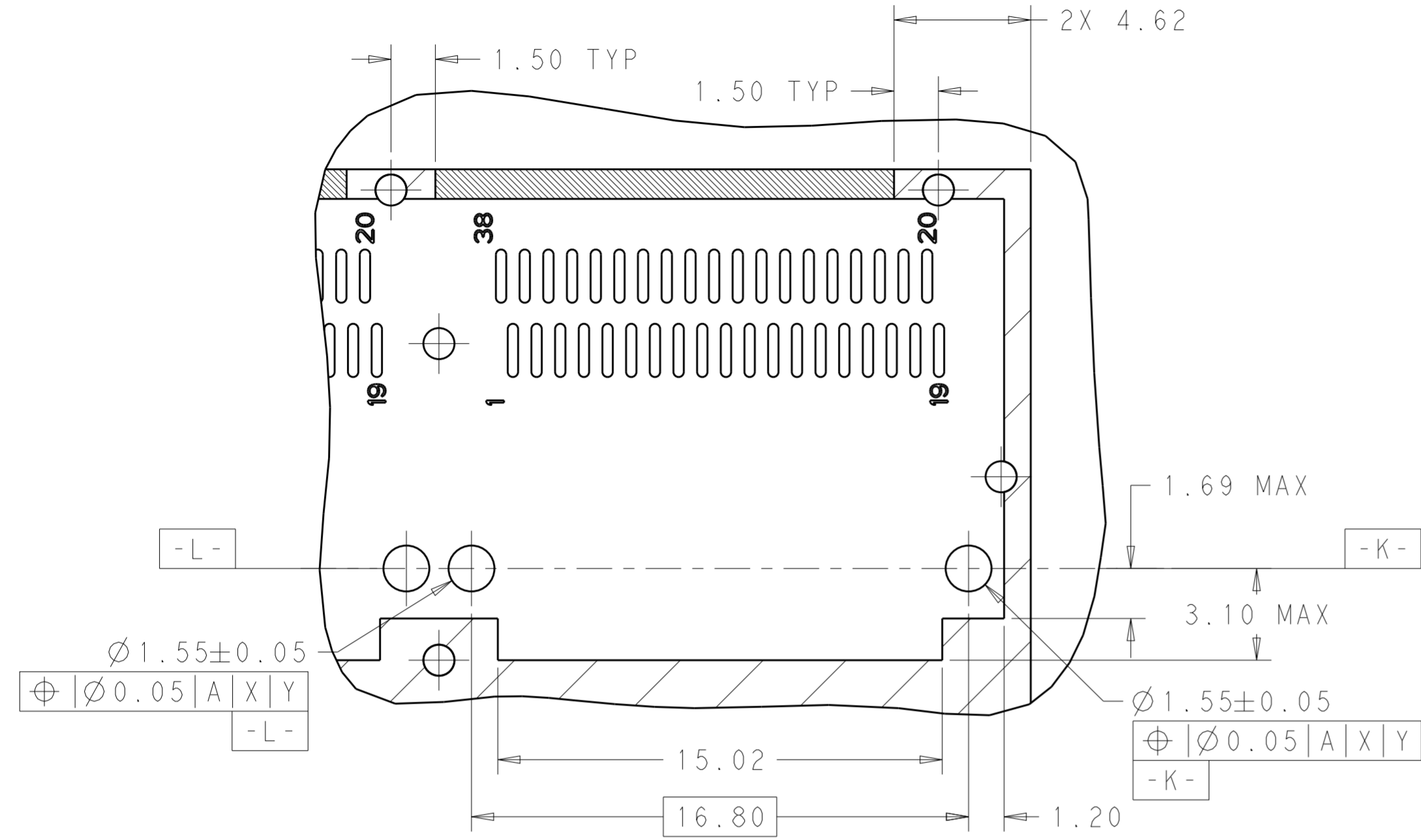


RECOMMENDED PCB LAYOUT
 BELLY TO BELLY TYPE
 PCB TOLERANCE: ±0.05
 SCALE 3:1

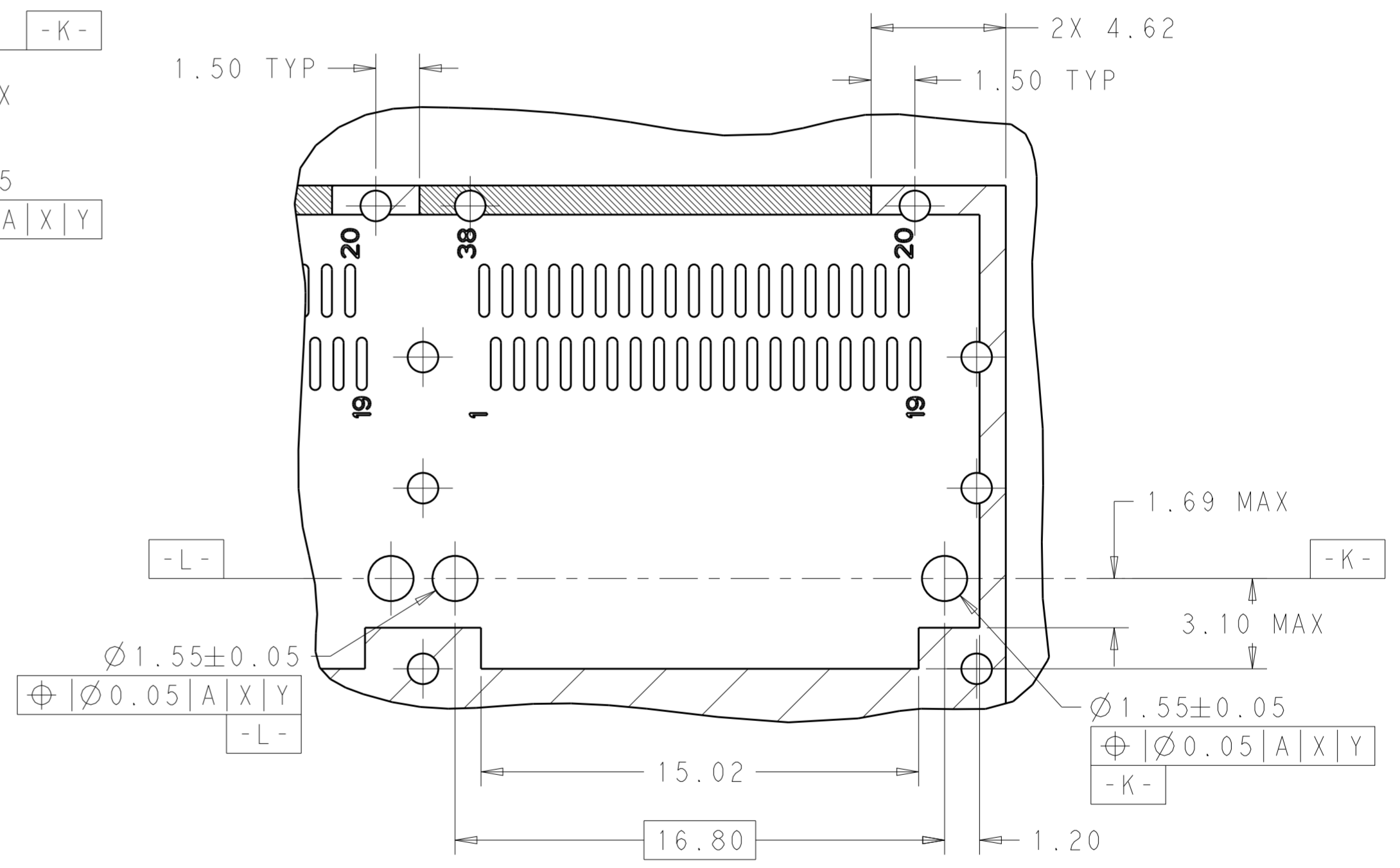
THIS DRAWING IS A CONTROLLED DOCUMENT.		DWN 08JUN2014 JASON YANG	TE Connectivity	
		CHK 02FEB2016 SEAN HAN		
DIMENSIONS: mm		APVD -	NAME RECEPTACLE CAGE ASSEMBLY 1X4, QSFP28 WITH HEAT SINKS THRU BEZEL, GASKET	
TOLERANCES UNLESS OTHERWISE SPECIFIED: 0 PLC ±- 1 PLC ±0.25 2 PLC ±0.2 3 PLC ±- 4 PLC ±- ANGLES ±- FINISH		PRODUCT SPEC 108-19428	SIZE CAGE CODE DRAWING NO A200779 C-2170783	
MATERIAL SEE NOTES		APPLICATION SPEC 114-32023	RESTRICTED TO -	
		WEIGHT -	SCALE 3:1 SHEET 4 OF 5 REV A	
		CUSTOMER DRAWING		

THIS DRAWING IS UNPUBLISHED. RELEASED FOR PUBLICATION 20
 © COPYRIGHT 20 BY - ALL RIGHTS RESERVED.


REVISIONS				
P	LTR	DESCRIPTION	DATE	APVD
-	-	SEE SHEET 1	-	-



DETAIL A
SCALE 6:1



DETAIL B
SCALE 6:1

THIS DRAWING IS A CONTROLLED DOCUMENT.		DWN JASON YANG 08JUN2014	 TE Connectivity	
		CHK SEAN HAN 02FEB2016		
DIMENSIONS:	TOLERANCES UNLESS OTHERWISE SPECIFIED:	APVD -	NAME RECEPTACLE CAGE ASSEMBLY 1X4, QSFP28 WITH HEAT SINKS THRU BEZEL, GASKET	
mm	0 PLC ± 1 PLC ±0.25 2 PLC ±0.2 3 PLC ± 4 PLC ±	PRODUCT SPEC 108-19428	SIZE A200779	
MATERIAL SEE NOTES	ANGLES ± FINISH	APPLICATION SPEC 114-32023	CAGE CODE C-2170783	DRAWING NO -
	SEE NOTES	WEIGHT -	RESTRICTED TO -	SCALE 3:1 SHEET 5 OF 5 REV A
		CUSTOMER DRAWING		

单击下面可查看定价，库存，交付和生命周期等信息

[>>TE Connectivity\(泰科\)](#)