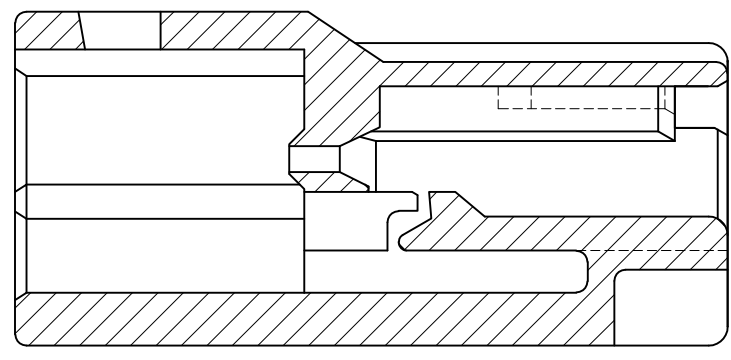
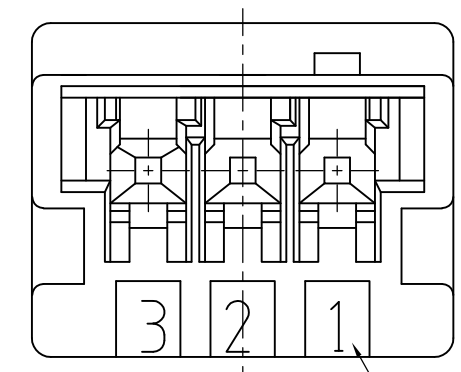
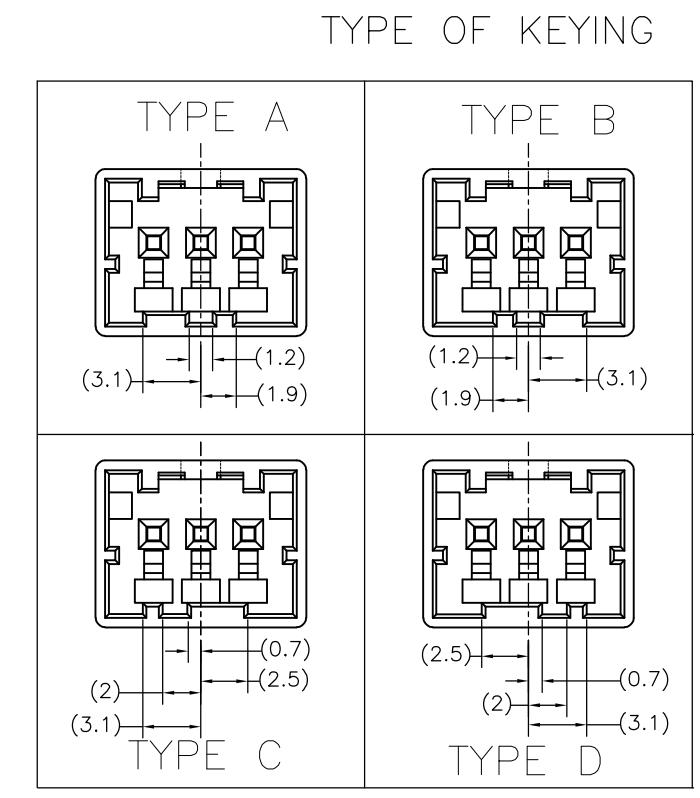
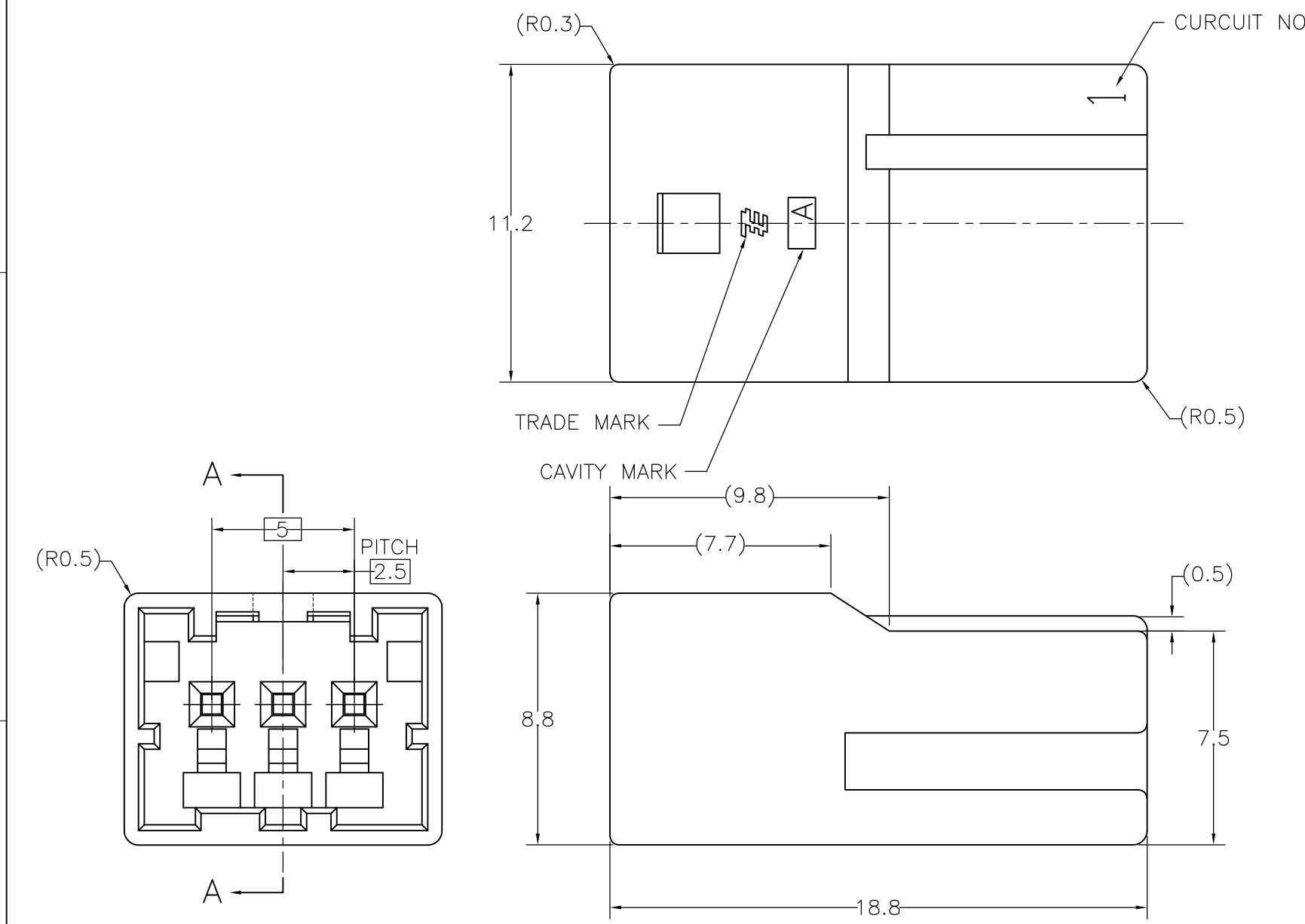


THIS DRAWING IS UNPUBLISHED. RELEASED FOR PUBLICATION
 © COPYRIGHT BY TYCO ELECTRONICS CORPORATION. ALL RIGHTS RESERVED.

| LOC | DIST | REVISIONS | | | | | |
|-----|------|-----------|-----|---------------------------|---------|-----|------|
| J | — | P | LTR | DESCRIPTION | DATE | DWN | APVD |
| | | | B1 | REVISED PER ECR-10-019980 | 04OCT10 | HMR | TM |



断面 A-A
SECT A-A

注記
 1. 一般公差: ±0.3
 △ 材料PBTガラス強化(UL94V-0)
 ⊕ かん合相手製品型番
 プラグハウジング: TABLE参照のこと
 タブコンタクト: 917764, 917765

NOTE
 1. GENERAL TOLERANCE: ±0.3
 △ MATERIAL: PBT GLASS FILLED (UL94V-0)
 ⊕ MATING CONN.P/N
 PLUG HOUSING: SEE TABLE
 TAB CONTACT: 917764, 917765

| | | | |
|-----------------------------|---------------------------|----------------|-------------------|
| 3-1903389-4 | TYPE D | YELLOW 黄色 | 3-1903392-4 |
| 2-1903389-3 | TYPE C | BLUE 青色 | 2-1903392-3 |
| 1-1903389-2 | TYPE B | RED 赤色 | 1-1903392-2 |
| 1903389-1 | TYPE A | NATURAL 自然色 | 1903392-1 |
| かん合相手型番 ⊕ MATING HSG P/N | キーイング形状 TYPE OF KEYING | 色調 COLOR | 型番 PART NUMBER |

THIS DRAWING IS A CONTROLLED DOCUMENT.

| | | | | | |
|-----------------------------------|---|--------------------|-------------------------------|--------------------|-----------|
| DWN J.SATO 31OCT05 | Tyco Electronics AMP K.K. Kawasaki, Japan | | | | |
| CHK T.HATANO 31OCT05 | | | | | |
| APVD N.YAMASAKI 31OCT05 | | | | | |
| PRODUCT SPEC 製品規格 108-78350 | | | | | |
| APPLICATION SPEC 取付適用規格 | NAME 名称 GRACE INERTIA CONNECTOR 2.5 W CAP HOUSING 3P | | | | |
| WEIGHT | SIZE A3 | CAGE CODE 00779 | DRAWING NO 番号 G-1903392 | RESTRICTED TO — | |
| MATERIAL 材料 SEE NOTE △ | CUSTOMER DRAWING | | SCALE 尺度 5:1 | SHEET 1 OF 1 | REV B1 |

单击下面可查看定价，库存，交付和生命周期等信息

[>>TE Connectivity\(泰科\)](#)