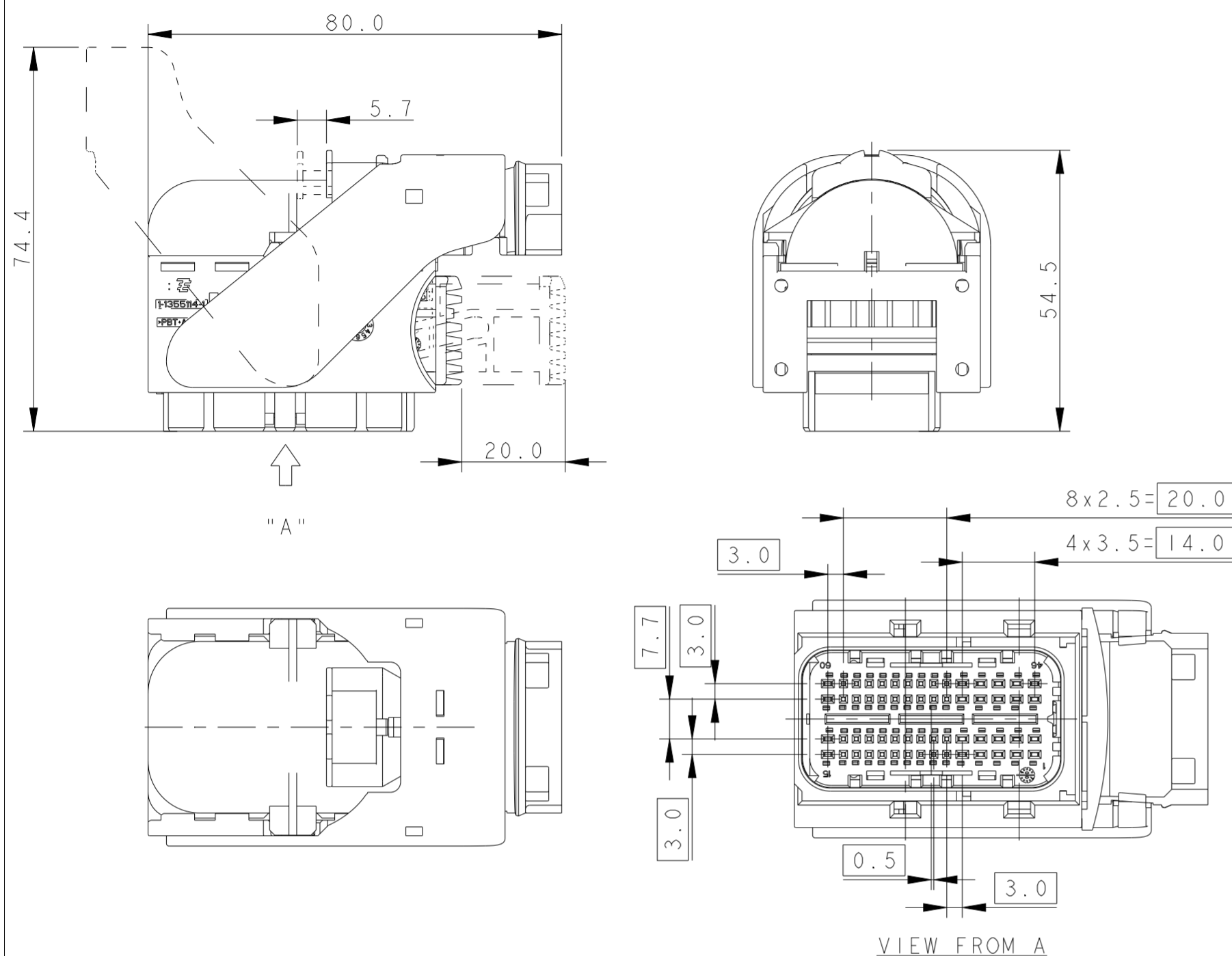
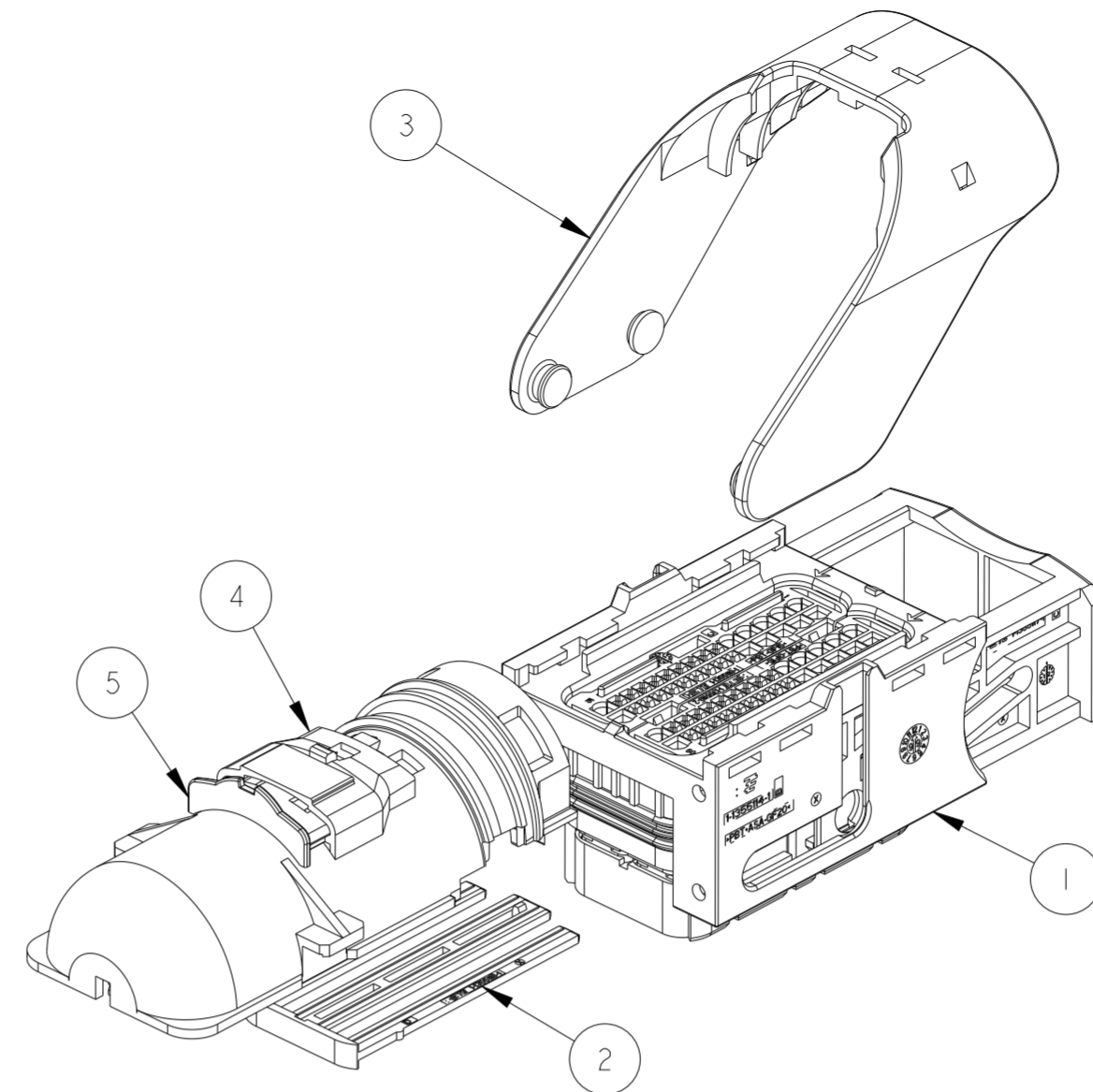
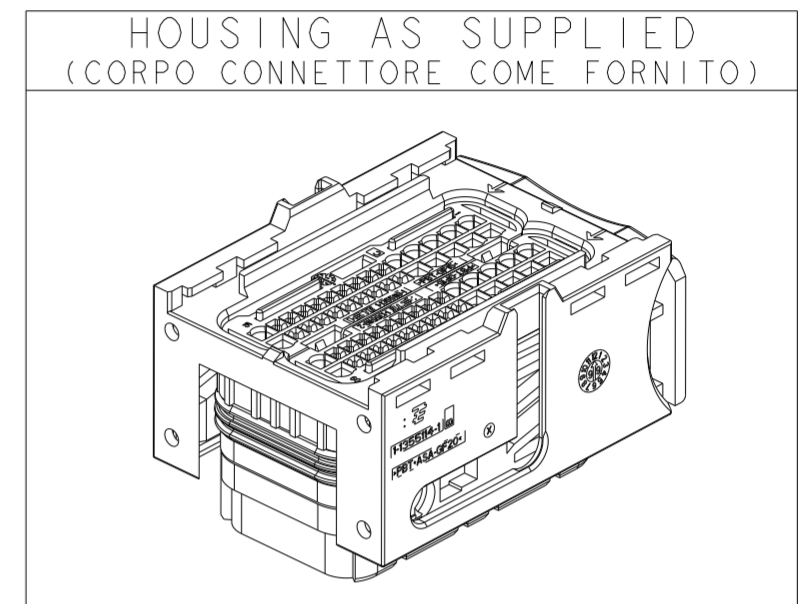


CONNECTOR OVERALL DIMENSIONS WITH COVER KIT AND LEVER ASSEMBLED (DIMENSIONI DI INGOMBRO CONNETTORE CON KIT COPERCHIO E LEVA MONTATI)



REVISIONS						
P	LTR	REV	DESCRIPTION	DATE	DWN	APVD
			DESCRIZIONE	DATA	DIS.	APP.
	E	2	REVISED PER ECO-11-005033	24MAR2011	RK	HMR
	E	3	ECR-12-016448	18SEP2012	M.P.	M.G.
	F		ECN-21-126823	17NOV2021	VN	VN

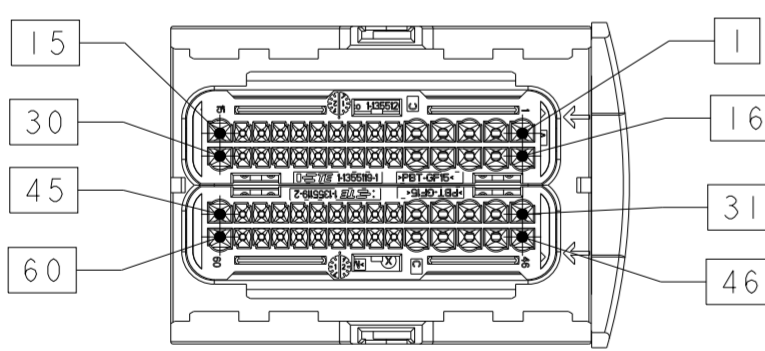
P/N 284742-1 AS SHOWN FIAT VERSION



NOTE:

- CONNECTOR IS SUITABLE TO BE MATED WITH COUNTERPART P/N 284617-1 (IL CONNETTORE SI ACCOPPIA CON LA CONTROPARTE P/N 284617-1)
- CONNECTOR CAVITIES ARE SUITABLE FOR CONTACTS: (LE CAVITA' DEL CONNETTORE SONO ADATTE PER CONTATTI:.)
  - 0.64 MQS Clean Body contact WSR 0.35+0.50 mm<sup>2</sup> P/N 1703296-1 (FIAT restricted version) (Minimum isolation diameter: 1.2 mm; Maximum isolation diameter: 1.6 mm)
  - 0.64 MQS Clean Body contact WSR 0.35 mm<sup>2</sup> P/N 968220-1 (Minimum isolation diameter: 1.2 mm; Maximum isolation diameter: 1.3 mm)
  - 0.64 MQS Clean Body contact WSR 0.75 mm<sup>2</sup> P/N 1703298-1 (FIAT restricted version) (Minimum isolation diameter: 1.7 mm; Maximum isolation diameter: 1.9 mm)
  - 0.64 MQS Clean Body contact WSR 0.50+0.75 mm<sup>2</sup> P/N 968221-1 (Minimum isolation diameter: 1.4 mm; Maximum isolation diameter: 1.9 mm)
  - 1.5 mm Clean Body contact WSR 0.50 mm<sup>2</sup> P/N 1452158-1 (Minimum isolation diameter: 1.4 mm; Maximum isolation diameter: 1.6 mm)
  - 1.5 mm Clean Body contact WSR 0.75+1.50 mm<sup>2</sup> P/N 1241608-1 (Minimum isolation diameter: 1.7 mm; Maximum isolation diameter: 2.4 mm)
- TO CLOSE UNUSED CAVITIES: (PER CHIUDERE LE CAVITA' NON UTILIZZATE)
  - P/N 284583-1 for MQS Clean Body contacts
  - P/N 1394872-1 for 1.5 mm Clean Body contact
- ITEMS 2 AND 3 ARE SUPPLIED NOT ASSEMBLED IN THE SAME PACKAGE. (I PARTICOLARI 2 E 3 SONO FORNITI NON ASSEMBLATI NELLA STESSA CONFEZIONE.)
- ITEMS 4 AND 5 ARE SUPPLIED PRE-ASSEMBLED, IN THE SAME PACKAGE. (I PARTICOLARI 4 E 5 SONO FORNITI PRE-ASSEMBLATI NELLA STESSA CONFEZIONE)
- ITEMS 4 IS SUPPLIED NOT ASSEMBLED IN THE SAME PACKAGE ITEM 5 IS NOT SUPPLIED (L'ITEM 4 E' FORNITO NON ASSEMBLATO NELLA STESSA CONFEZIONE, L'ITEM 5 NON E' FORNITO.)

CONTACT INSERT SIDE VIEW (VISTA LATO INSERIMENTO CONTATTI)



CABLE EXIT USCITA CAVI

CAVITIES POSITIONS (POSIZIONE IN CAVITA')

CONTACT P/N (P/N CONTATTO)	POSITION (POSIZIONE)
968220-1 & 968221-1	6 to 14; 21 to 29; 36 to 44; 51 to 59
1452158-1 & 1241608-1	1 to 5; 15 to 20; 30 to 35; 45 to 50; 60

QTY.	QTY.	RAW MATERIALS Materiali	COLOURS Colori	REV	DESCRIPTION Descrizione	ITEM Pos.
-	1	PA6.6 GF30	YELLOW	/	C.P.A. Disp. controllo aggancio leva	5
1	1	PA6.6 GF13	BLACK	/	COVER / Coperchio	4
1	1	PA6.6 GF30	BLACK	/	LEVER / leva	3
1	1	PA6 GF30	VIOLET	/	SECONDARY LOCK 60 POSN. Disp. Ritenz. secondaria, 60 pos.	2
1	1	PBT+ASA-GF20/PA66 GF30 PBT GF15 / PA66 GF25 SILICON	BLACK/LIGHT BROWN:HOUSING YELLOW:PERIPHERAL SEAL RED-BROWN:FAMILY SEAL	/	CARRIER HSG. / Corpo connettore	1
<b>284742-2</b> (NOTE 6)	<b>284742-1</b> (NOTE 5)	PART-NO. Codice				
F	F	REV				

THIS DRAWING IS A CONTROLLED DOCUMENT.

DIMENSIONS: DIMENSIONI: (MM)

TOLERANCES UNLESS OTHERWISE SPECIFIED: TOLLERANZE: SE NON DIVERSAMENTE SPECIFICATO

0 PLC/DEC: ±0.3  
1 PLC/DEC: ±0.3  
2 PLC/DEC: ±0.3  
3 PLC/DEC: ±0.3  
4 PLC/DEC: ±0.3  
ANGLES/ANGOLI: ±30'

FINISH FINITURA

APVD/APP: A.GENTIA  
CHK/CONT: O.CANUTO  
D.BISETTI  
O.CANUTO

PRODUCT SPEC SPEC DI PRODOTTO: 108-20235  
APPLICATION SPEC SPEC DI APPLICAZIONE: I.S. 411-20067

WEIGHT PESO: -  
CUSTOMER DRAWING

DISEGNO PER CLIENTE SOLO PER RIFERIMENTO

SCALE SCALA: 1:1  
SHEET FOGLIO: OF DI: REV F

RESTRICTED TO

TE Connectivity

CONNECTOR HOUSING, 60 POS. MQS, 1.5mm Clean Body Contacts + COVER AND C.P.A. KIT

SIZE: A2  
CAGE CODE: 0779  
DRAWING NO: C-284742

单击下面可查看定价，库存，交付和生命周期等信息

[>>TE Connectivity\(泰科\)](#)