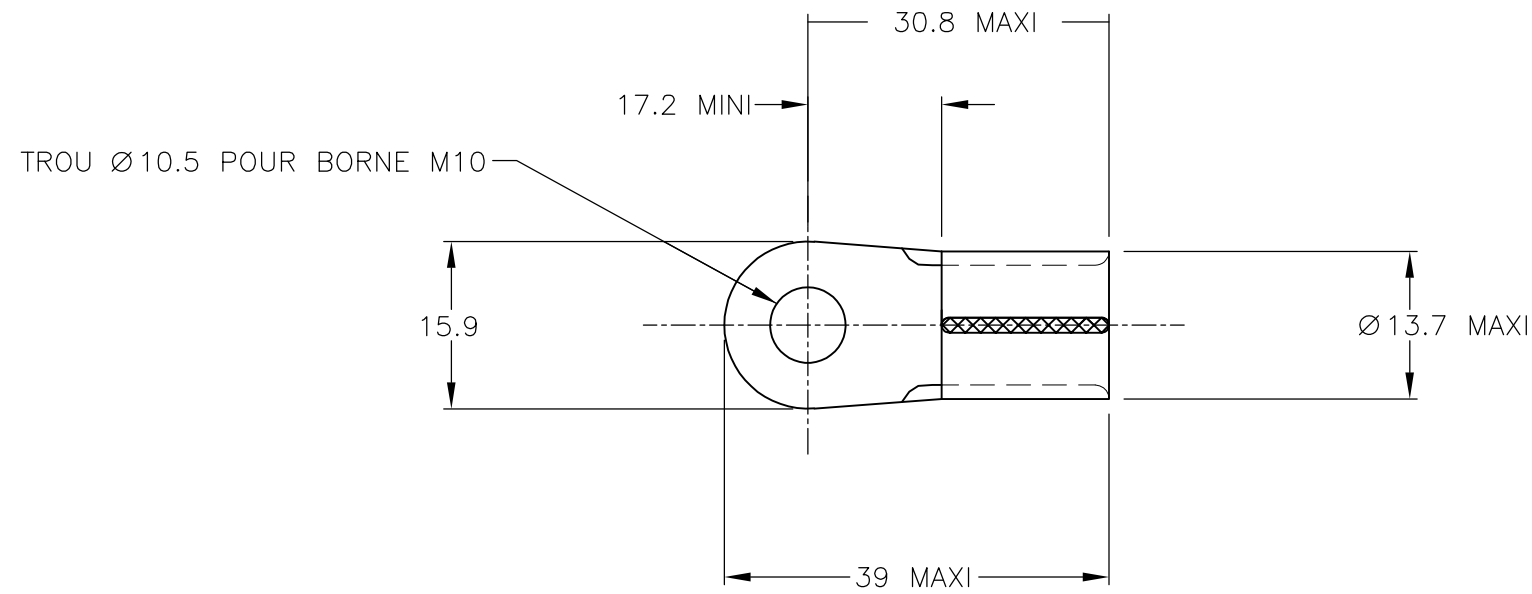



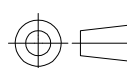
THIS DRAWING IS UNPUBLISHED. RELEASED FOR PUBLICATION
 © COPYRIGHT - By - ALL RIGHTS RESERVED.

LOC	DIST	REVISIONS			
P	LTR	DESCRIPTION	DATE	DWN	APVD
F	-	B1	REVISED PER ECO-15-006978	06JUN2015	NK MM



REFERENCE : 132072-2

THICKNESS 1.8

THIS DRAWING IS A CONTROLLED DOCUMENT.		DWN G.ROBERT	10/10/90	 TE Connectivity	
DIMENSIONS: mm		CHK -	APVD -		
		TOLERANCES UNLESS OTHERWISE SPECIFIED: 0 PLC ± - 1 PLC ± - 2 PLC ± 0.3 3 PLC ± - 4 PLC ± - ANGLES ± 5°		PRODUCT SPEC -	
PLAN FACT CAD NOT TO CHANGE LAYER WIRE RANGE 2 AWG		MATERIAL COPPER	FINISH NICKEL	APPLICATION SPEC -	
		WEIGHT -		SIZE A3	CAGE CODE 00779
		CUSTOMER DRAWING		DRAWING NO C-132072	RESTRICTED TO -
		SCALE 2:1		SHEET 1 OF 1	REV B1

单击下面可查看定价，库存，交付和生命周期等信息

[>>TE Connectivity\(泰科\)](#)