

4

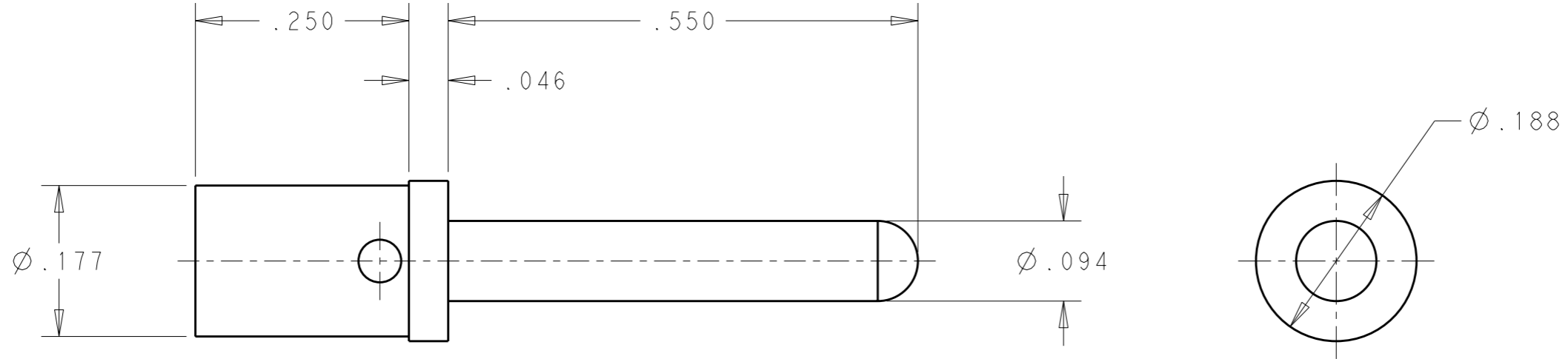
3

2

1

THIS DRAWING IS UNPUBLISHED. RELEASED FOR PUBLICATION 20
 © COPYRIGHT 20 BY TYCO ELECTRONICS CORPORATION. ALL INTERNATIONAL RIGHTS RESERVED.

LOC	DIST	REVISIONS			
P	LTR	DESCRIPTION	DATE	DWN	APVD
GP	00	A	RELEASED	05AUG2009	RG DO



- PART NUMBER CHANGES AND/OR CHANGES AFFECTING ITEM INTERCHANGEABILITY REQUIRE PRIOR TYCO ELECTRONICS APPROVAL AND AUTHORIZATION BY REVISION TO THIS PRODUCT.
- MATERIAL:
COPPER ALLOY
- FINISH:
SILVER PLATE .000200 MIN THK. OVER NICKEL .000040 MIN THK.
- FINISH:
GOLD PLATE .000030 MIN THK. OVER NICKEL .000040 MIN THK.
- ITEMS PROVIDED TO THIS SPECIFICATION TO BE PERMANENTLY IDENTIFIED ON THE CONTAINER WITH THE FOLLOWING INFORMATION:

TYCO ELECTRONICS P/N: XXXXXX-X
 DATE CODE (e.g. 0106): YEAR WEEK
 XXXX

4	1650177-4
3	1650177-3
FINISH	PART NUMBER

<small>THIS DRAWING IS A CONTROLLED DOCUMENT FOR TYCO ELECTRONICS CORPORATION IT IS SUBJECT TO CHANGE AND THE CONTROLLING ENGINEERING ORGANIZATION SHOULD BE CONTACTED FOR THE LATEST REVISION.</small>		DWN 05AUG2009 R. GRZYBOWSKI		Tyco Electronics Harrisburg, PA 17105-3608	
DIMENSIONS: INCHES		TOLERANCES UNLESS OTHERWISE SPECIFIED:		NAME: PIN CONTACT	
		0 PLC ±- 1 PLC ±- 2 PLC ±.01 3 PLC ±.005 4 PLC ±- ANGLES ±-		SIZE No.12 WITH SIZE No.10 CRIMP BARREL DRAWER	
MATERIAL: 2		FINISH: -		APPLICATION SPEC: 108-2285	
WEIGHT: -		CUSTOMER DRAWING		RESTRICTED TO: -	
SCALE: 6:1		SHEET: 1 OF 1		REV: A	

单击下面可查看定价，库存，交付和生命周期等信息

[>>TE Connectivity\(泰科\)](#)